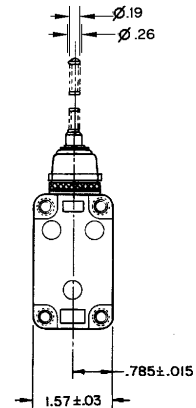
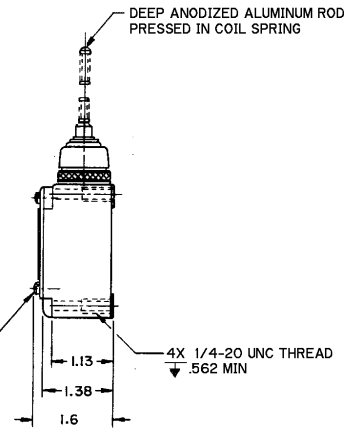
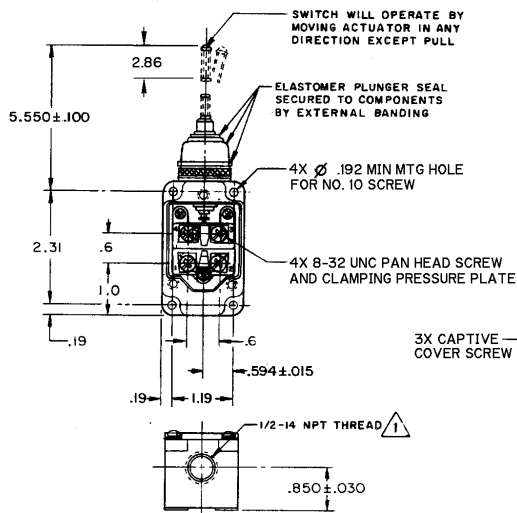
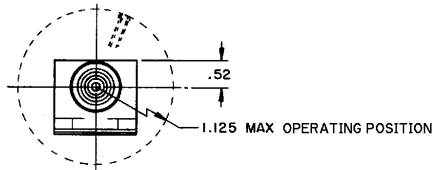
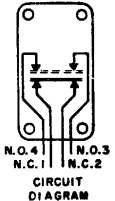


MICRO SWITCH
a Honeywell Division

SWITCH-ENCLOSED

CATALOG LISTING
BLS10

FED. WFS. CODE 91929



NOTE
⚠ SEAL TO BE PROVIDED BY USER

THIS DRAWING COVERS A PROPRIETARY ITEM AND IS THE PROPERTY OF MICRO SWITCH, A DIVISION OF HONEYWELL. THIS DRAWING IS NOT TO BE COPIED OR USED WITHOUT THE APPROVAL OF MICRO SWITCH.		THIRD ANGLE PROJECTION
CHARACTERISTICS	ELECTRICAL DATA	SCALE 1/2 : 1
OPERATING POSITION.....1.125 MAX IN ANY DIRECTION	CONTACT ARRANGEMENT (SEE CIRCUIT DIAGRAM)	DO NOT SCALE PRINT
OPERATING FORCE.....5 OZ MAX	10A-120, 240 OR 480 VAC	UNLESS OTHERWISE SPECIFIED TOLERANCES ARE
FORCE AT 2.0.....10 OZ MAX	1/3 HP-120 VAC, 3/4 HP-240 VAC	ONE PLACE (1.0) ± .030
SWITCH-BASIC REPLACEMENT.....2MNI	0.8A-115 VDC; 0.4A-230 VDC; 0.1A-550VDC	TWO PLACE (1.00) ± .015
	PILOT DUTY 600 VAC MAX	THREE PLACE (1.000) ± .005
		ANGLES ±
		WEIGHT

CATALOG LISTING BLS10

ISSUE 1

REVISIONS

FORMTEK

DRAWN J.A.F.

CHECK J.A.F.

19 MAR 99

19 MAR 99

PR-23887

PAGE 1 OF 1

RELEASE NO.

REPLACES