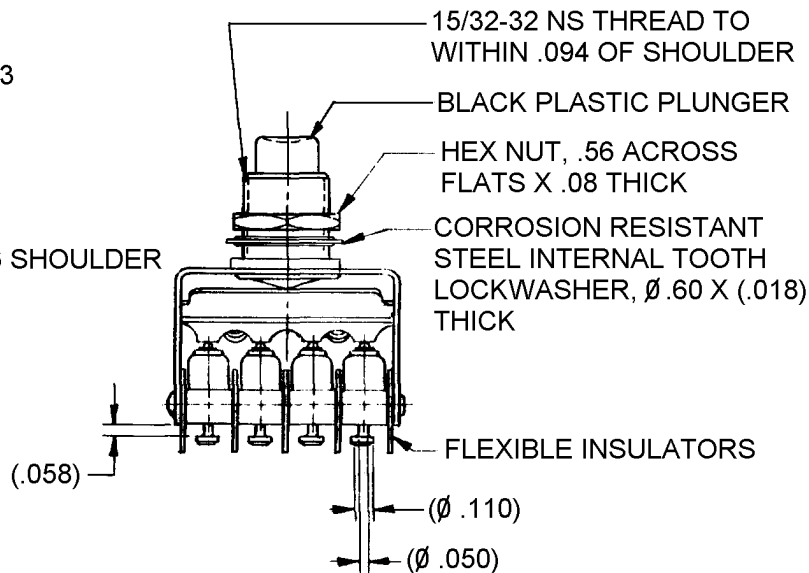
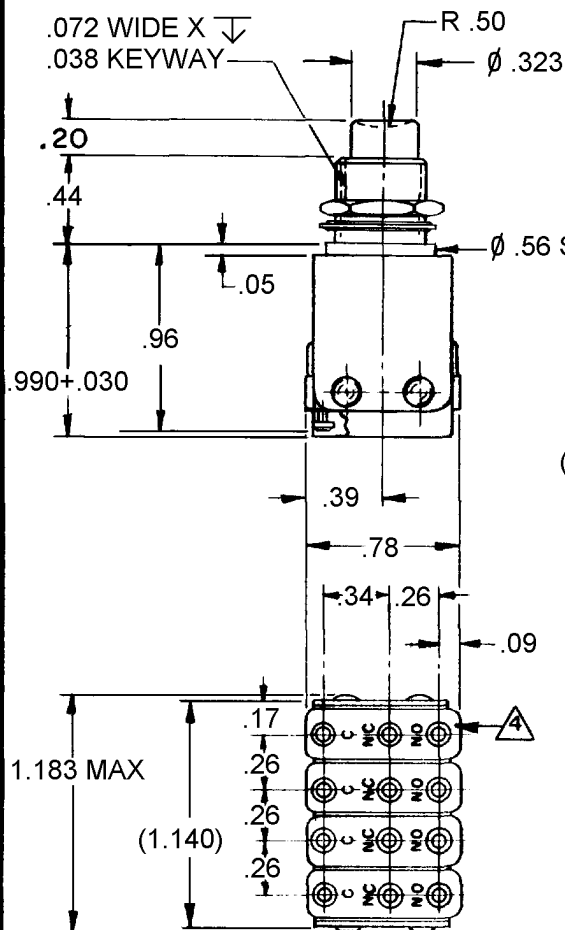


CATALOG LISTING
4PB364-T
 PAGE 1 OF 1
 REPLACES
 RELEASE NO. SR-10885
M
 ISSUE 4
 REVISIONS
 A CO18544 VDF 18 OCT 63
 B CO19800 MEF 14 JAN 65
 C 203743 CSL 17 AUG 01
 CHECK 27 MAR '63 KAC
 CHECK 27 MAR '63 KAC
 DRAW 26 MAR 63
 RASTER
 DRAWN
 FO-50378



NOTE -

- 1-(3)"IISM" TYPE BASICS WITH SILVER CONTACTS AND (1) "IISM" TYPE WITH GOLD CONTACTS
- 2-SWITCHES DO NOT NECESSARILY OPERATE SIMULTANEOUSLY
- 3-TERMINALS ARE PLATED FOR SOLDERING
- 4 IISM TYPE BASIC SWITCH WITH 24 K SOLID GOLD CONTACTS IS IDENTIFIED BY YELLOW SPOT ON BOTTOM OF SWITCH
- 5-UNIT WILL OPERATE SATISFACTORILY IN TEMPERATURES FROM MINUS 85°F TO PLUS 310°F

THIS DRAWING COVERS A PROPRIETARY ITEM AND IS THE PROPERTY OF MICRO SWITCH, A DIVISION OF MINNEAPOLIS-HONEYWELL REGULATOR CO. THIS DRAWING IS NOT TO BE COPIED OR USED WITHOUT THE APPROVAL OF MICRO SWITCH.

CHARACTERISTICS

OPERATING FORCE--35 OZ APPROX

ELECTRICAL DATA

CONTACT ARRANGEMENT
 S P D T (4X)

SILVER CONTACT RATING		GOLD CONTACT RATING
250 VAC	5 AMP	
30 VOLTS DC RATING		
INDUCTIVE	SEA LEVEL	3 AMP
	50,000 FT	2.5 AMP
RESISTIVE	SEA LEVEL	5 AMP
	50,000 FT	5 AMP
MAXIMUM INRUSH		24 AMP

SCALE FULL

DO NOT SCALE PRINT

UNLESS OTHERWISE NOTED
 DIMENSIONS ARE IN INCHES
TOLERANCES ARE:
 ONE PLACE (.0) $\pm .030$
 TWO PLACE (.00) $\pm .015$
 THREE PLACE (.000) $\pm .005$
 ANGLES \pm

WEIGHT



MICRO SWITCH

FREEPORT, ILLINOIS, U.S.A.
A DIVISION OF HONEYWELL

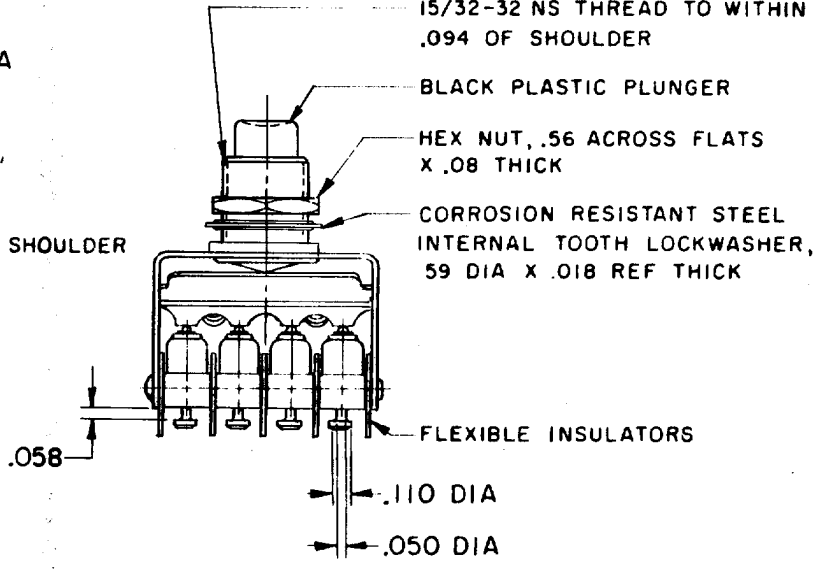
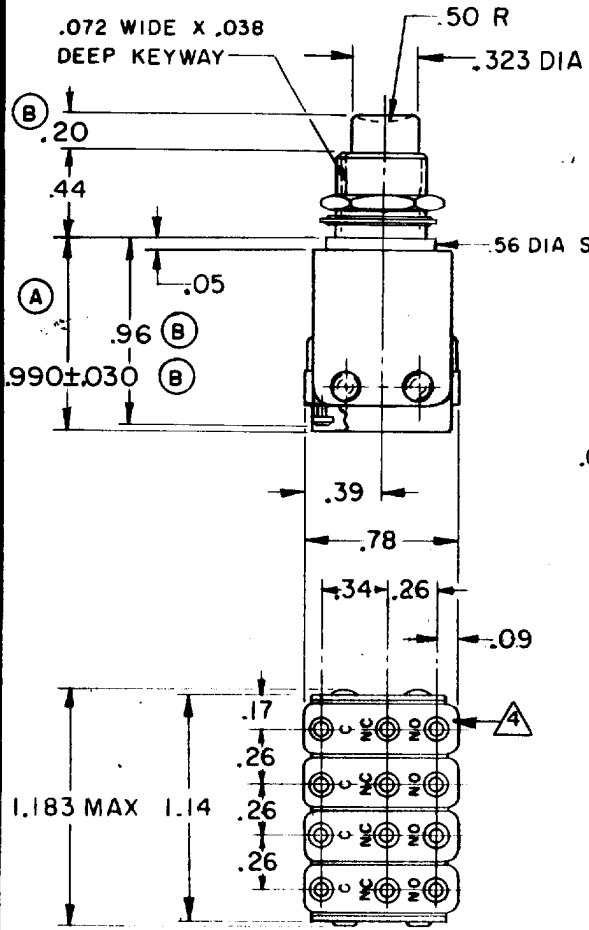
FED. MFG. CODE 91929

ASSEMBLY-PUSHBUTTON SWITCH

CATALOG LISTING

4PB364-T

M 4PB364-T
 DRAWING NUMBER
 ISSUE 3
 REVISIONS
 A CO18544 VDF 18 OCT 63
 B CO19800 MEF 14 JAN 65
 CHECK KAC 27 MAR 63
 CHECK DAW 27 MAR 63
 CHECK 63
 DRAWN RER 126 MAR 63
 FO-50378



- NOTE -
- 1-(3) "IISM" TYPE BASICS WITH SILVER CONTACTS AND (1) "IISM" TYPE WITH GOLD CONTACTS
 - 2-SWITCHES DO NOT NECESSARILY OPERATE SIMULTANEOUSLY
 - 3-TERMINALS ARE PLATED FOR SOLDERING
 - 4 IISM TYPE BASIC SWITCH WITH 24 K SOLID GOLD CONTACTS IS IDENTIFIED BY YELLOW SPOT ON BOTTOM OF SWITCH
 - 5-UNIT WILL OPERATE SATISFACTORILY IN TEMPERATURES FROM MINUS 85°F TO PLUS 310°F

THIS DRAWING COVERS A PROPRIETARY ITEM AND IS THE PROPERTY OF MICRO SWITCH, A DIVISION OF MINNEAPOLIS-HONEYWELL REGULATOR CO. THIS DRAWING IS NOT TO BE COPIED OR USED WITHOUT THE APPROVAL OF MICRO SWITCH.

CHARACTERISTICS		ELECTRICAL DATA		SCALE FULL	
OPERATING FORCE--35 OZ APPROX		CONTACT ARRANGEMENT S P D T (4)		DO NOT SCALE PRINT	
		SILVER CONTACT RATING		UNLESS OTHERWISE NOTED	
250 VAC ----- 5 AMP		INDUCTIVE ----- SEA LEVEL ----- 3 AMP		DIMENSIONS ARE IN INCHES	
30 VOLTS DC RATING		50,000 FT ----- 2.5 AMP		TOLERANCES ARE:	
		RESISTIVE ----- SEA LEVEL ----- 5 AMP		ONE PLACE (.0) ±.030	
		50,000 FT ----- 5 AMP		TWO PLACE (.00) ±.015	
		MAXIMUM INRUSH ----- 24 AMP		THREE PLACE (.000) ±.005	
		GOLD CONTACT RATING		ANGLES ±	
		1/2 AMP		WEIGHT	
		1/2 AMP			
		1 AMP			
		1 AMP			
		2 AMP			