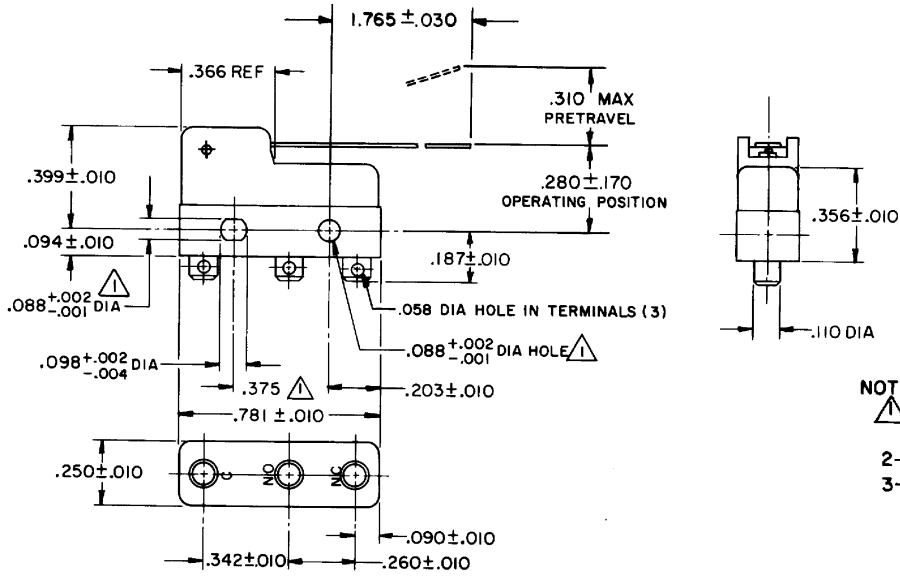
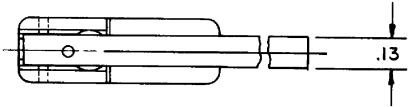


FO-55111-A

HONEYWELL
PART NUMBER
311SM3
PRODUCT CODE
TZA1175

REV	DOCUMENT	CHANGED BY	CHECK
4	0038113	PRS 12JUN08	BLR



NOTE -
 ▲ MOUNTING HOLES WILL ACCEPT PINS OR SCREWS OF .087 MAX DIA ON .375 ± .002 CENTERS
 2- SWITCH WILL WITHSTAND TEMPERATURE OF 250°F
 3- TERMINAL ARE PLATED FOR SOLDERING

RELEASE NO. PR - 3578
 REPLACES -

CHARACTERISTICS
OPERATING FORCE - - - 15 GRAM MAX
RELEASE FORCE - - - 2 GRAM MIN
DIFFERENTIAL TRAVEL - - - .110 MAX
OVERTRAVEL - - - .057 MIN

ELECTRICAL DATA
CONTACT ARRANGEMENT S P D T
30 VOLTS DC RATING
SEA LEVEL 50,000 FT
INDUCTIVE 3 AMP 2.5 AMP
RESISTIVE 5 AMP 5 AMP
MAXIMUM INRUSH 24 AMP
APPROVALS KEMA CE 5A, 250V ~ T85 1E4 UL CSA 5A, 250 VAC ~

DESIGN UNITS: INCH
TOLERANCES UNLESS NOTED:
NO PLACE .X ±
ONE PLACE .X ±
TWO PLACE .XX ±
THREE PLACE .XXX ±
FOUR PLACE .XXXX ±
ANGLES ±
THIRD ANGLE PROJECTION

DRAWN VK 31 OCT 07
CHECK RJ 31 OCT 07
THIS DRAWING COVERS A PROPRIETARY ITEM AND IS THE PROPERTY OF HONEYWELL. THIS DRAWING IS NOT TO BE COPIED OR USED WITHOUT THE PERMISSION OF HONEYWELL.
INTERPRET PER ANSI Y14.5M-1982 OTHER HONEYWELL ENGINEERING STANDARDS MAY APPLY
RASTER

Honeywell			
TITLE SWITCH - BASIC			
SIZE B	TYPE I	DRAWING NAME 311SM3	REV 4
SCALE -	WEIGHT .006 LB MAX	SHEET 1 OF 1	

4

3

2

1