



MICRO SWITCH

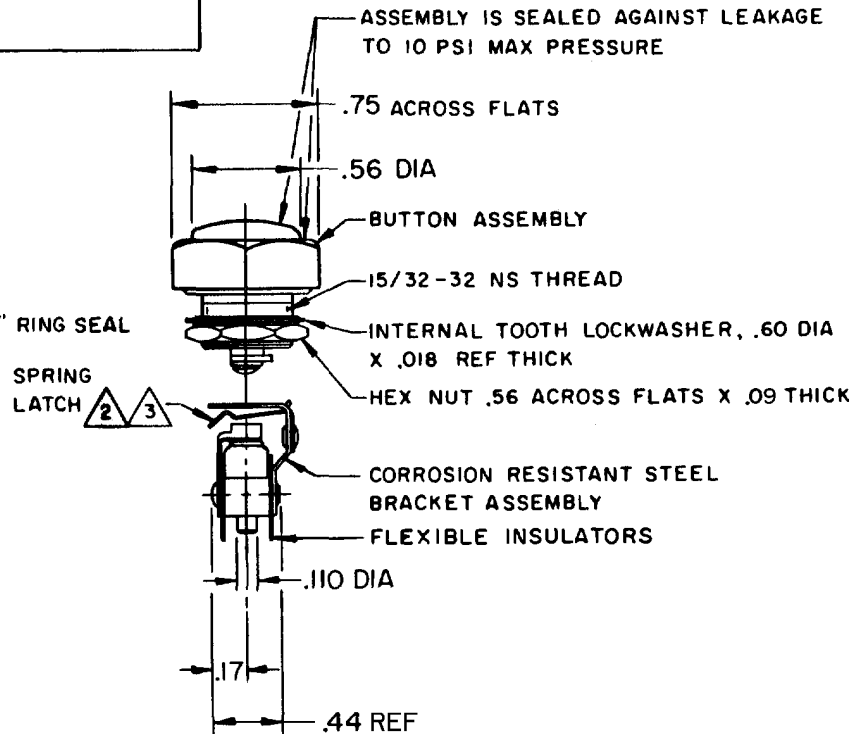
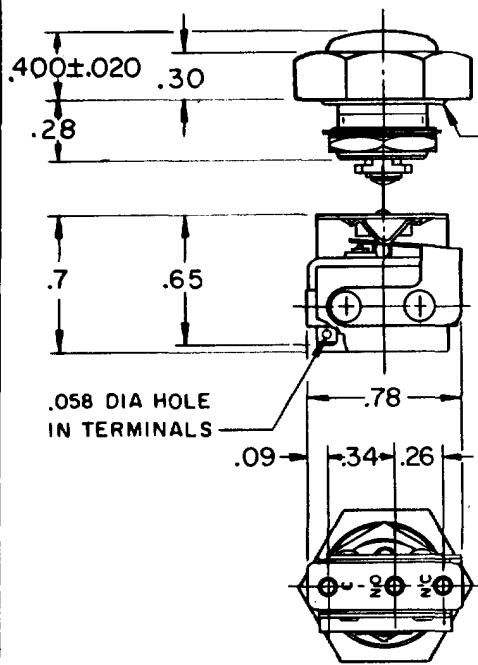
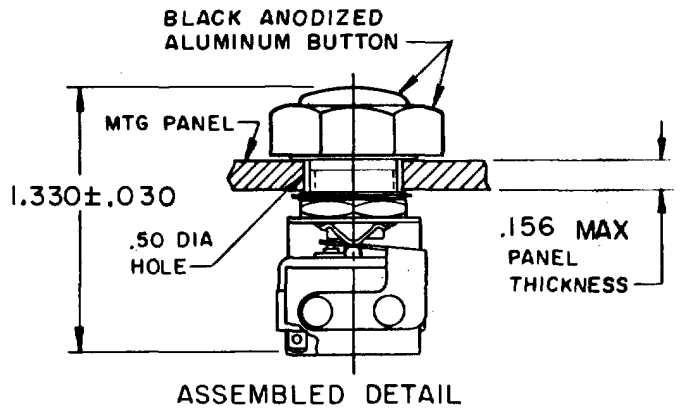
FREEPORT, ILLINOIS, U.S.A.
A DIVISION OF HONEYWELL

FED. MFG. CODE 91929

ASSEMBLY - PUSHBUTTON SWITCH

CATALOG LISTING

IPB 4



NOTES

- 1 - UNIT INCLUDES CATALOG LISTING "ISM" TYPE BASIC SWITCH
- 2 - SPRING LATCH PERMITS ASSEMBLY AND DISASSEMBLY AS REQUIRED
- 3 - "D" SHAPED HOLE IN SPRING LATCH PREVENTS ROTATION BETWEEN THE TWO PARTS
- 4 - ASSEMBLY IS COMPLETED AFTER INSTALLING BUTTON TO PANEL
- 5 - TERMINALS ARE PLATED FOR SOLDERING

THIS DRAWING COVERS A PROPRIETARY ITEM AND IS THE PROPERTY OF MICRO SWITCH, A DIVISION OF HONEYWELL. THIS DRAWING IS NOT TO BE COPIED OR USED WITHOUT THE APPROVAL OF MICRO SWITCH.

CHARACTERISTICS

OPERATING FORCE - - - 3 LB APPROX
6 LB MAX

PLUNGER TRAVEL - - - .031 APPROX

ELECTRICAL DATA

CONTACT ARRANGEMENT
S P D T

250 VAC - - - - - 5 AMP

30 VOLTS DC RATING

INDUCTIVE - - - - - SEA LEVEL - - - 3 AMP
50,000 FT - - - 2.5 AMP

RESISTIVE - - - - - SEA LEVEL - - - 5 AMP
50,000 FT - - - 5 AMP

MAXIMUM INRUSH - - - - - 24 AMP

SCALE FULL

DO NOT SCALE PRINT

UNLESS OTHERWISE NOTED
DIMENSIONS ARE IN INCHES

TOLERANCES ARE:

ONE PLACE	(.0)	± .030
TWO PLACE	(.00)	± .015
THREE PLACE	(.000)	± .005
ANGLES		±

WEIGHT .04 LB

FORMTEK
FO-50378

DRAWN

M B F 5 APRIL 65

CHECK L S D 8 APR 65

REVISIONS

A	0019743
M B F	5 APRIL 65
B	0020470
M B F	2 SEP 65
C	C095143
D L T	14 JUL 99

ISSUE 10

DRAWING NUMBER

M

IPB 4

PAGE 1 OF 1

REPLACES

RELEASE NO.