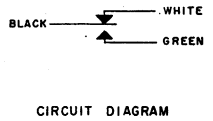


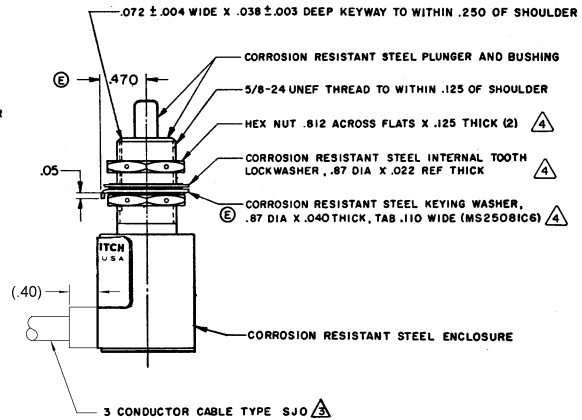
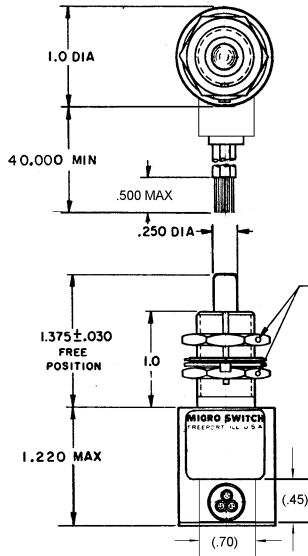
MICRO SWITCH
A DIVISION OF HONEYWELL REGULATORS
FED. MFR. CODE 91929

SWITCH - ENCLOSED

CATALOG LISTING
1CH28



1CH28
 ISSUE 16
 REVISIONS
 A MADE 12 NOV 64
 B CO20147 4 SEPT 64
 C SR12248 15 APR 66
 D CO21874 15 APR 66
 E CO22983 4 SEPT 64
 F 16 APR 64
 G CO33906 4 SEPT 64
 H CO34722 4 NOV 74
 I 16 APR 64
 J 16 APR 64
 K 16 APR 64
 L 16 APR 64
 M 16 APR 64
 N 16 APR 64
 O 16 APR 64
 P 16 APR 64
 Q 16 APR 64
 R 16 APR 64
 S 16 APR 64
 T 16 APR 64
 U 16 APR 64
 V 16 APR 64
 W 16 APR 64
 X 16 APR 64
 Y 16 APR 64
 Z 16 APR 64
 AA 16 APR 64
 AB 16 APR 64
 AC 16 APR 64
 AD 16 APR 64
 AE 16 APR 64
 AF 16 APR 64
 AG 16 APR 64
 AH 16 APR 64
 AI 16 APR 64
 AJ 16 APR 64
 AK 16 APR 64
 AL 16 APR 64
 AM 16 APR 64
 AN 16 APR 64
 AO 16 APR 64
 AP 16 APR 64
 AQ 16 APR 64
 AR 16 APR 64
 AS 16 APR 64
 AT 16 APR 64
 AU 16 APR 64
 AV 16 APR 64
 AW 16 APR 64
 AX 16 APR 64
 AY 16 APR 64
 AZ 16 APR 64
 BA 16 APR 64
 BB 16 APR 64
 BC 16 APR 64
 BD 16 APR 64
 BE 16 APR 64
 BF 16 APR 64
 BG 16 APR 64
 BH 16 APR 64
 BI 16 APR 64
 BJ 16 APR 64
 BK 16 APR 64
 BL 16 APR 64
 BM 16 APR 64
 BN 16 APR 64
 BO 16 APR 64
 BP 16 APR 64
 BQ 16 APR 64
 BR 16 APR 64
 BS 16 APR 64
 BT 16 APR 64
 BU 16 APR 64
 BV 16 APR 64
 BW 16 APR 64
 BX 16 APR 64
 BY 16 APR 64
 BZ 16 APR 64
 CA 16 APR 64
 CB 16 APR 64
 CC 16 APR 64
 CD 16 APR 64
 CE 16 APR 64
 CF 16 APR 64
 CG 16 APR 64
 CH 16 APR 64
 CI 16 APR 64
 CJ 16 APR 64
 CK 16 APR 64
 CL 16 APR 64
 CM 16 APR 64
 CN 16 APR 64
 CO 16 APR 64
 CP 16 APR 64
 CQ 16 APR 64
 CR 16 APR 64
 CS 16 APR 64
 CT 16 APR 64
 CU 16 APR 64
 CV 16 APR 64
 CW 16 APR 64
 CX 16 APR 64
 CY 16 APR 64
 CZ 16 APR 64
 DA 16 APR 64
 DB 16 APR 64
 DC 16 APR 64
 DD 16 APR 64
 DE 16 APR 64
 DF 16 APR 64
 DG 16 APR 64
 DH 16 APR 64
 DI 16 APR 64
 DJ 16 APR 64
 DK 16 APR 64
 DL 16 APR 64
 DM 16 APR 64
 DN 16 APR 64
 DO 16 APR 64
 DP 16 APR 64
 DQ 16 APR 64
 DR 16 APR 64
 DS 16 APR 64
 DT 16 APR 64
 DU 16 APR 64
 DV 16 APR 64
 DW 16 APR 64
 DX 16 APR 64
 DY 16 APR 64
 DZ 16 APR 64
 EA 16 APR 64
 EB 16 APR 64
 EC 16 APR 64
 ED 16 APR 64
 EE 16 APR 64
 EF 16 APR 64
 EG 16 APR 64
 EH 16 APR 64
 EI 16 APR 64
 EJ 16 APR 64
 EK 16 APR 64
 EL 16 APR 64
 EM 16 APR 64
 EN 16 APR 64
 EO 16 APR 64
 EP 16 APR 64
 EQ 16 APR 64
 ER 16 APR 64
 ES 16 APR 64
 ET 16 APR 64
 EU 16 APR 64
 EV 16 APR 64
 EW 16 APR 64
 EX 16 APR 64
 EY 16 APR 64
 EZ 16 APR 64
 FA 16 APR 64
 FB 16 APR 64
 FC 16 APR 64
 FD 16 APR 64
 FE 16 APR 64
 FF 16 APR 64
 FG 16 APR 64
 FH 16 APR 64
 FI 16 APR 64
 FJ 16 APR 64
 FK 16 APR 64
 FL 16 APR 64
 FM 16 APR 64
 FN 16 APR 64
 FO 16 APR 64
 FP 16 APR 64
 FQ 16 APR 64
 FR 16 APR 64
 FS 16 APR 64
 FT 16 APR 64
 FU 16 APR 64
 FV 16 APR 64
 FW 16 APR 64
 FX 16 APR 64
 FY 16 APR 64
 FZ 16 APR 64
 GA 16 APR 64
 GB 16 APR 64
 GC 16 APR 64
 GD 16 APR 64
 GE 16 APR 64
 GF 16 APR 64
 GG 16 APR 64
 GH 16 APR 64
 GI 16 APR 64
 GJ 16 APR 64
 GK 16 APR 64
 GL 16 APR 64
 GM 16 APR 64
 GN 16 APR 64
 GO 16 APR 64
 GP 16 APR 64
 GQ 16 APR 64
 GR 16 APR 64
 GS 16 APR 64
 GT 16 APR 64
 GU 16 APR 64
 GV 16 APR 64
 GW 16 APR 64
 GX 16 APR 64
 GY 16 APR 64
 GZ 16 APR 64
 HA 16 APR 64
 HB 16 APR 64
 HC 16 APR 64
 HD 16 APR 64
 HE 16 APR 64
 HF 16 APR 64
 HG 16 APR 64
 HH 16 APR 64
 HI 16 APR 64
 HJ 16 APR 64
 HK 16 APR 64
 HL 16 APR 64
 HM 16 APR 64
 HN 16 APR 64
 HO 16 APR 64
 HP 16 APR 64
 HQ 16 APR 64
 HR 16 APR 64
 HS 16 APR 64
 HT 16 APR 64
 HU 16 APR 64
 HV 16 APR 64
 HW 16 APR 64
 HX 16 APR 64
 HY 16 APR 64
 HZ 16 APR 64
 IA 16 APR 64
 IB 16 APR 64
 IC 16 APR 64
 ID 16 APR 64
 IE 16 APR 64
 IF 16 APR 64
 IG 16 APR 64
 IH 16 APR 64
 II 16 APR 64
 IJ 16 APR 64
 IK 16 APR 64
 IL 16 APR 64
 IM 16 APR 64
 IN 16 APR 64
 IO 16 APR 64
 IP 16 APR 64
 IQ 16 APR 64
 IR 16 APR 64
 IS 16 APR 64
 IT 16 APR 64
 IU 16 APR 64
 IV 16 APR 64
 IW 16 APR 64
 IX 16 APR 64
 IY 16 APR 64
 IZ 16 APR 64
 JA 16 APR 64
 JB 16 APR 64
 JC 16 APR 64
 JD 16 APR 64
 JE 16 APR 64
 JF 16 APR 64
 JG 16 APR 64
 JH 16 APR 64
 JI 16 APR 64
 JJ 16 APR 64
 JK 16 APR 64
 JL 16 APR 64
 JM 16 APR 64
 JN 16 APR 64
 JO 16 APR 64
 JP 16 APR 64
 JQ 16 APR 64
 JR 16 APR 64
 JS 16 APR 64
 JT 16 APR 64
 JU 16 APR 64
 JV 16 APR 64
 JW 16 APR 64
 JX 16 APR 64
 JY 16 APR 64
 JZ 16 APR 64
 KA 16 APR 64
 KB 16 APR 64
 KC 16 APR 64
 KD 16 APR 64
 KE 16 APR 64
 KF 16 APR 64
 KG 16 APR 64
 KH 16 APR 64
 KI 16 APR 64
 KJ 16 APR 64
 KL 16 APR 64
 KM 16 APR 64
 KN 16 APR 64
 KO 16 APR 64
 KP 16 APR 64
 KQ 16 APR 64
 KR 16 APR 64
 KS 16 APR 64
 KT 16 APR 64
 KU 16 APR 64
 KV 16 APR 64
 KW 16 APR 64
 KX 16 APR 64
 KY 16 APR 64
 KZ 16 APR 64
 LA 16 APR 64
 LB 16 APR 64
 LC 16 APR 64
 LD 16 APR 64
 LE 16 APR 64
 LF 16 APR 64
 LG 16 APR 64
 LH 16 APR 64
 LI 16 APR 64
 LJ 16 APR 64
 LK 16 APR 64
 LL 16 APR 64
 LM 16 APR 64
 LN 16 APR 64
 LO 16 APR 64
 LP 16 APR 64
 LQ 16 APR 64
 LR 16 APR 64
 LS 16 APR 64
 LT 16 APR 64
 LU 16 APR 64
 LV 16 APR 64
 LW 16 APR 64
 LX 16 APR 64
 LY 16 APR 64
 LZ 16 APR 64
 MA 16 APR 64
 MB 16 APR 64
 MC 16 APR 64
 MD 16 APR 64
 ME 16 APR 64
 MF 16 APR 64
 MG 16 APR 64
 MH 16 APR 64
 MI 16 APR 64
 MJ 16 APR 64
 MK 16 APR 64
 ML 16 APR 64
 MM 16 APR 64
 MN 16 APR 64
 MO 16 APR 64
 MP 16 APR 64
 MQ 16 APR 64
 MR 16 APR 64
 MS 16 APR 64
 MT 16 APR 64
 MU 16 APR 64
 MV 16 APR 64
 MW 16 APR 64
 MX 16 APR 64
 MY 16 APR 64
 MZ 16 APR 64
 NA 16 APR 64
 NB 16 APR 64
 NC 16 APR 64
 ND 16 APR 64
 NE 16 APR 64
 NF 16 APR 64
 NG 16 APR 64
 NH 16 APR 64
 NI 16 APR 64
 NJ 16 APR 64
 NK 16 APR 64
 NL 16 APR 64
 NM 16 APR 64
 NN 16 APR 64
 NO 16 APR 64
 NP 16 APR 64
 NQ 16 APR 64
 NR 16 APR 64
 NS 16 APR 64
 NT 16 APR 64
 NU 16 APR 64
 NV 16 APR 64
 NW 16 APR 64
 NX 16 APR 64
 NY 16 APR 64
 NZ 16 APR 64
 OA 16 APR 64
 OB 16 APR 64
 OC 16 APR 64
 OD 16 APR 64
 OE 16 APR 64
 OF 16 APR 64
 OG 16 APR 64
 OH 16 APR 64
 OI 16 APR 64
 OJ 16 APR 64
 OK 16 APR 64
 OL 16 APR 64
 OM 16 APR 64
 ON 16 APR 64
 OO 16 APR 64
 OP 16 APR 64
 OQ 16 APR 64
 OR 16 APR 64
 OS 16 APR 64
 OT 16 APR 64
 OU 16 APR 64
 OV 16 APR 64
 OW 16 APR 64
 OX 16 APR 64
 OY 16 APR 64
 OZ 16 APR 64
 PA 16 APR 64
 PB 16 APR 64
 PC 16 APR 64
 PD 16 APR 64
 PE 16 APR 64
 PF 16 APR 64
 PG 16 APR 64
 PH 16 APR 64
 PI 16 APR 64
 PJ 16 APR 64
 PK 16 APR 64
 PL 16 APR 64
 PM 16 APR 64
 PN 16 APR 64
 PO 16 APR 64
 PP 16 APR 64
 PQ 16 APR 64
 PR 16 APR 64
 PS 16 APR 64
 PT 16 APR 64
 PU 16 APR 64
 PV 16 APR 64
 PW 16 APR 64
 PX 16 APR 64
 PY 16 APR 64
 PZ 16 APR 64
 QA 16 APR 64
 QB 16 APR 64
 QC 16 APR 64
 QD 16 APR 64
 QE 16 APR 64
 QF 16 APR 64
 QG 16 APR 64
 QH 16 APR 64
 QI 16 APR 64
 QJ 16 APR 64
 QK 16 APR 64
 QL 16 APR 64
 QM 16 APR 64
 QN 16 APR 64
 QO 16 APR 64
 QP 16 APR 64
 QQ 16 APR 64
 QR 16 APR 64
 QS 16 APR 64
 QT 16 APR 64
 QU 16 APR 64
 QV 16 APR 64
 QW 16 APR 64
 QX 16 APR 64
 QY 16 APR 64
 QZ 16 APR 64
 RA 16 APR 64
 RB 16 APR 64
 RC 16 APR 64
 RD 16 APR 64
 RE 16 APR 64
 RF 16 APR 64
 RG 16 APR 64
 RH 16 APR 64
 RI 16 APR 64
 RJ 16 APR 64
 RK 16 APR 64
 RL 16 APR 64
 RM 16 APR 64
 RN 16 APR 64
 RO 16 APR 64
 RP 16 APR 64
 RQ 16 APR 64
 RR 16 APR 64
 RS 16 APR 64
 RT 16 APR 64
 RU 16 APR 64
 RV 16 APR 64
 RW 16 APR 64
 RX 16 APR 64
 RY 16 APR 64
 RZ 16 APR 64
 SA 16 APR 64
 SB 16 APR 64
 SC 16 APR 64
 SD 16 APR 64
 SE 16 APR 64
 SF 16 APR 64
 SG 16 APR 64
 SH 16 APR 64
 SI 16 APR 64
 SJ 16 APR 64
 SK 16 APR 64
 SL 16 APR 64
 SM 16 APR 64
 SN 16 APR 64
 SO 16 APR 64
 SP 16 APR 64
 SQ 16 APR 64
 SR 16 APR 64
 SS 16 APR 64
 ST 16 APR 64
 SU 16 APR 64
 SV 16 APR 64
 SW 16 APR 64
 SX 16 APR 64
 SY 16 APR 64
 SZ 16 APR 64
 TA 16 APR 64
 TB 16 APR 64
 TC 16 APR 64
 TD 16 APR 64
 TE 16 APR 64
 TF 16 APR 64
 TG 16 APR 64
 TH 16 APR 64
 TI 16 APR 64
 TJ 16 APR 64
 TK 16 APR 64
 TL 16 APR 64
 TM 16 APR 64
 TN 16 APR 64
 TO 16 APR 64
 TP 16 APR 64
 TQ 16 APR 64
 TR 16 APR 64
 TS 16 APR 64
 TT 16 APR 64
 TU 16 APR 64
 TV 16 APR 64
 TW 16 APR 64
 TX 16 APR 64
 TY 16 APR 64
 TZ 16 APR 64
 UA 16 APR 64
 UB 16 APR 64
 UC 16 APR 64
 UD 16 APR 64
 UE 16 APR 64
 UF 16 APR 64
 UG 16 APR 64
 UH 16 APR 64
 UI 16 APR 64
 UJ 16 APR 64
 UK 16 APR 64
 UL 16 APR 64
 UM 16 APR 64
 UN 16 APR 64
 UO 16 APR 64
 UP 16 APR 64
 UQ 16 APR 64
 UR 16 APR 64
 US 16 APR 64
 UT 16 APR 64
 UU 16 APR 64
 UV 16 APR 64
 UW 16 APR 64
 UX 16 APR 64
 UY 16 APR 64
 UZ 16 APR 64
 VA 16 APR 64
 VB 16 APR 64
 VC 16 APR 64
 VD 16 APR 64
 VE 16 APR 64
 VF 16 APR 64
 VG 16 APR 64
 VH 16 APR 64
 VI 16 APR 64
 VJ 16 APR 64
 VK 16 APR 64
 VL 16 APR 64
 VM 16 APR 64
 VN 16 APR 64
 VO 16 APR 64
 VP 16 APR 64
 VQ 16 APR 64
 VR 16 APR 64
 VS 16 APR 64
 VT 16 APR 64
 VU 16 APR 64
 VV 16 APR 64
 VW 16 APR 64
 VX 16 APR 64
 VY 16 APR 64
 VZ 16 APR 64
 WA 16 APR 64
 WB 16 APR 64
 WC 16 APR 64
 WD 16 APR 64
 WE 16 APR 64
 WF 16 APR 64
 WG 16 APR 64
 WH 16 APR 64
 WI 16 APR 64
 WJ 16 APR 64
 WK 16 APR 64
 WL 16 APR 64
 WM 16 APR 64
 WN 16 APR 64
 WO 16 APR 64
 WP 16 APR 64
 WQ 16 APR 64
 WR 16 APR 64
 WS 16 APR 64
 WT 16 APR 64
 WU 16 APR 64
 WV 16 APR 64
 WW 16 APR 64
 WX 16 APR 64
 WY 16 APR 64
 WZ 16 APR 64
 XA 16 APR 64
 XB 16 APR 64
 XC 16 APR 64
 XD 16 APR 64
 XE 16 APR 64
 XF 16 APR 64
 XG 16 APR 64
 XH 16 APR 64
 XI 16 APR 64
 XJ 16 APR 64
 XK 16 APR 64
 XL 16 APR 64
 XM 16 APR 64
 XN 16 APR 64
 XO 16 APR 64
 XP 16 APR 64
 XQ 16 APR 64
 XR 16 APR 64
 XS 16 APR 64
 XT 16 APR 64
 XU 16 APR 64
 XV 16 APR 64
 XW 16 APR 64
 XX 16 APR 64
 XY 16 APR 64
 XZ 16 APR 64
 YA 16 APR 64
 YB 16 APR 64
 YC 16 APR 64
 YD 16 APR 64
 YE 16 APR 64
 YF 16 APR 64
 YG 16 APR 64
 YH 16 APR 64
 YI 16 APR 64
 YJ 16 APR 64
 YK 16 APR 64
 YL 16 APR 64
 YM 16 APR 64
 YN 16 APR 64
 YO 16 APR 64
 YP 16 APR 64
 YQ 16 APR 64
 YR 16 APR 64
 YS 16 APR 64
 YT 16 APR 64
 YU 16 APR 64
 YV 16 APR 64
 YW 16 APR 64
 YX 16 APR 64
 YY 16 APR 64
 YZ 16 APR 64
 ZA 16 APR 64
 ZB 16 APR 64
 ZC 16 APR 64
 ZD 16 APR 64
 ZE 16 APR 64
 ZF 16 APR 64
 ZG 16 APR 64
 ZH 16 APR 64
 ZI 16 APR 64
 ZJ 16 APR 64
 ZK 16 APR 64
 ZL 16 APR 64
 ZM 16 APR 64
 ZN 16 APR 64
 ZO 16 APR 64
 ZP 16 APR 64
 ZQ 16 APR 64
 ZR 16 APR 64
 ZS 16 APR 64
 ZT 16 APR 64
 ZU 16 APR 64
 ZV 16 APR 64
 ZW 16 APR 64
 ZX 16 APR 64
 ZY 16 APR 64
 ZZ 16 APR 64



THIS DRAWING COVERS A PROPRIETARY ITEM AND IS THE PROPERTY OF MICRO SWITCH, A DIVISION OF MINNEAPOLIS-HONEYWELL REGULATOR CO. THIS DRAWING IS NOT TO BE COPIED OR USED WITHOUT THE APPROVAL OF MICRO SWITCH.

CHARACTERISTICS	ELECTRICAL DATA	SCALE FULL
OPERATING FORCE --- 6-12 LB	CONTACT ARRANGEMENT S P D T	DO NOT SCALE PRINT
FULL OVERTRAVEL FORCE - 30 LB MAX		UNLESS OTHERWISE SPECIFIED
RELEASE FORCE --- 4 LB MIN		DIMENSIONS ARE IN INCHES
PRETRAVEL --- .040 MAX	LOAD SEA LEVEL 28 VDC	TOLERANCES ARE
DIFFERENTIAL TRAVEL --- .020 MAX	RES 4 4	ONE PLACE (.01) 1.000
OVERTRAVEL --- .250 MIN	IND 2 2	TWO PLACE (.005) 2.000
	MOTOR 4	THREE PLACE (.0005) 2.000
		INCHES 5
		WEIGHT 8.6 OZ MAX

- NOTES
- 1 - SWITCH SEALED PER MIL-PRF-8805 SYMBOL 3
 - 2 - CIRCUIT DIAGRAM, CATALOG LISTING AND DATE CODE ARE SHOWN ON NAMEPLATE
 - 3 - WIRE LEADS COLOR CODED TO SHOW LEAD IDENTIFICATION
 - 4 - HARDWARE MAY BE PACKAGED UNASSEMBLED PER MIL-PRF-8805