

MICRO SWITCH

FREEMONT ILLINOIS U S A
A DIVISION OF HONEYWELL

FED MFG CODE 91829

PACKET

CATALOG LISTING

12PA5

SERIES CHART 2

THIS DRAWING COVERS A PROPRIETARY ITEM AND IS THE PROPERTY OF MICRO SWITCH A DIVISION OF HONEYWELL THIS DRAWING IS NOT TO BE COPIED OR USED WITHOUT THE APPROVAL OF MICRO SWITCH

CATALOG LISTING
M
12PA5 SERIES CHART 2
PAGE 1 OF 1

ISSUE

3

REPLACES

RELEASE NO. CO-78465

12PA5

CHART 2

REVISIONS

A	CO-93153	JUN 99
B	CO-95304	8 NOV 99

CHECK

CHECK

23 JUN 94

KAG

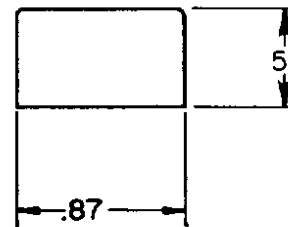
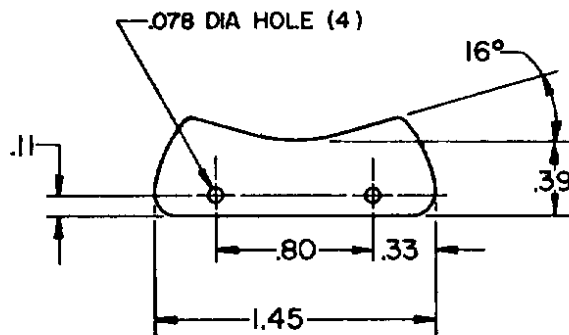
10 JUN 94

FORMTEK

DRAWN

LJF

LISTING	COLOR
12PA5-W-L	1-17 WHITE
(A)	1-2 RED
(A)	1-18 YELLOW
12PA5-BK-L	1-7 BLACK
(B)	1-36 GREEN
(A)	1-5 BLUE



NOTE-

- 1 - MATERIAL-OPAQUE MODIFIED STYRENE
- 2 - ACTUATOR BUTTON FOR USE WITH "TP" SERIES SWITCHES
- 3 - LEGEND PER "TP" LEGEND ORDER SHEET