

# Customer Information Sheet

DRAWING No.: M50-490XX45

SHEET 2 OF 2

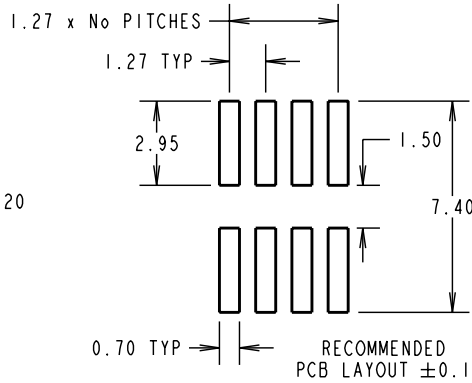
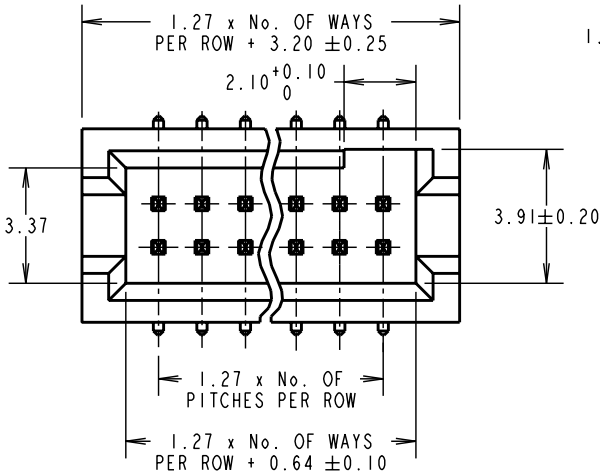
IF IN DOUBT - ASK

©

NOT TO SCALE

THIRD ANGLE PROJECTION

ALL DIMENSIONS IN mm



SPECIFICATIONS:

MATERIAL:  
 MOULDING = LCP UL94V-0, BLACK  
 CONTACT = BRASS

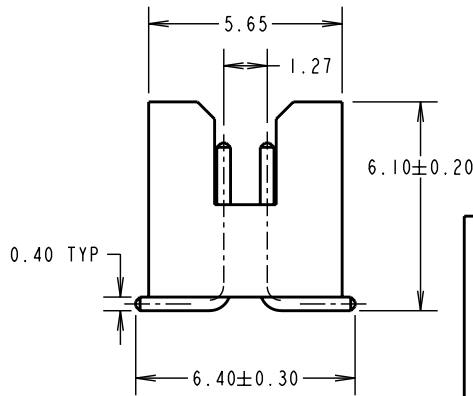
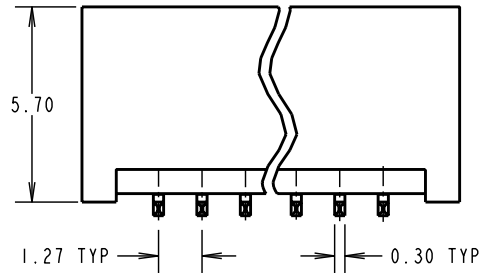
FINISH:  
 CONTACT = GOLD

ELECTRICAL:  
 CURRENT RATING = 1A  
 VOLTAGE PROOF = 300V AC/DC  
 CONTACT RESISTANCE = 20 MILLIOHMS MAX  
 INSULATION RESISTANCE = 1,000 MEGOHMS MIN

ENVIRONMENTAL:  
 OPERATING TEMPERATURE = -40°C TO +105°C

PACKING:  
 TUBE

FOR COMPLETE SPECIFICATION, SEE COMPONENT SPECIFICATION C029XX (LATEST ISSUE)



NOTE:  
 1. TOLERANCE = ±0.15 UNLESS OTHERWISE STATED.

ORDER CODE:

**M50-490XX45**

No. WAYS PER ROW \_\_\_\_\_  
 05 TO 50

FINISH: GOLD \_\_\_\_\_

RA	7	24.08.09	10442
NAME	ISS.	DATE	C/NOTE
APPROVED:		R.ADDE	
CHECKED:		M.G.PLESTED	
DRAWN:		J. ENRIGHT	
CUSTOMER REF.:			
ASSEMBLY DRG:			

**HARWIN**

HARWIN USA TEL: 603 893 5376 FAX: 603 893 5396 mis@harwin.com	HARWIN Europe (UK) TEL: 023 9231 4545 FAX: 023 9231 4590 mis@harwin.co.uk	HARWIN Asia TEL: +65 6 779 4909 FAX: +65 6 779 3868 mis@harwin.com.sg
--	--	--

THIS DRAWING AND ANY INFORMATION OR DESCRIPTIVE MATTER SET OUT HEREON ARE CONFIDENTIAL AND COPYRIGHT PROPERTY OF THE HARWIN GROUP AND MUST NOT BE DISCLOSED, LOANED, COPIED OR USED FOR MANUFACTURING, TENDERING OR FOR ANY OTHER PURPOSE WITHOUT THEIR WRITTEN PERMISSION.

**TOLERANCES**

X = ±1mm  
 X.X = ±0.25mm  
 X.XX = ±0.10mm  
 X.XXX = ±0.01mm

ANGLES = ±5°

UNLESS STATED

MATERIAL:

SEE ABOVE

FINISH: SEE ABOVE

S/AREA: mm<sup>2</sup>

TITLE:

1.27mm PITCH DIL  
 SMT PIN HEADER ASSY

DRAWING NUMBER:

**M50-490XX45**

SHT  
 2  
 OF  
 2