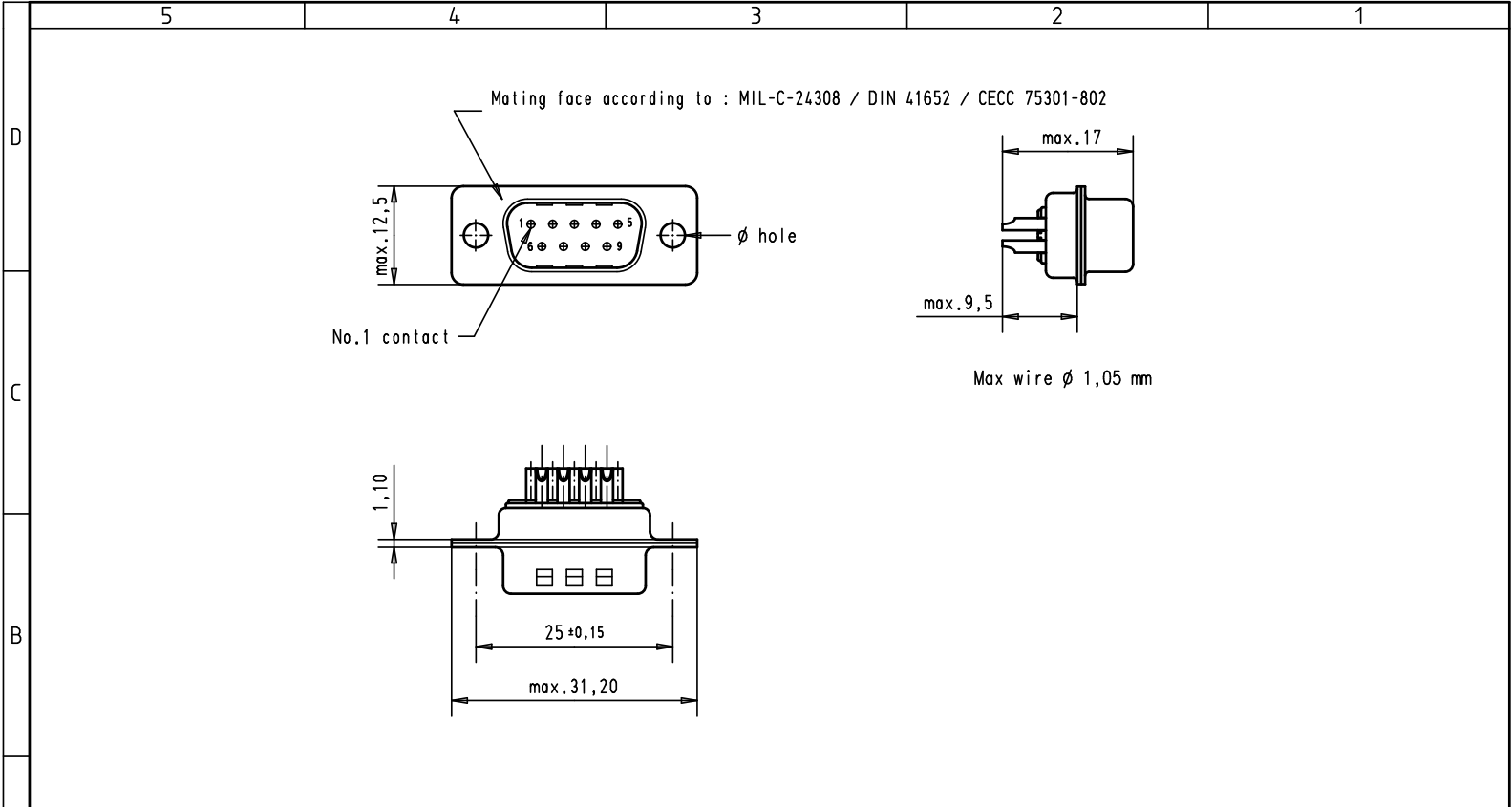




Alle Rechte vorbehalten/ All rights reserved



						Det.	Name	 All Dim. in mm Orig. Size DIN A 4	D-Sub, 9 poles, male, straight, turned solder buckets, holes	Maßstab/ Scale 1.5:1	
						Detail.	17/07/01				AF
						Insp.					
						Stand.					
09 67 009 5615 050		3,1 <sup>+0,1</sup>	S4						<b>TB 09 67 009 56xx</b>	Blatt/ Page 1 / 2	
09 67 009 5615		3,1 <sup>+0,1</sup>	PL2								
09 67 009 5604		3,1 <sup>+0,1</sup>	PL3	36189	08/11/10	SC					
Part number		ø hole	Performance level	Mod.	Det.	Name	HARTING EURL F-95972 Paris		Sub.		