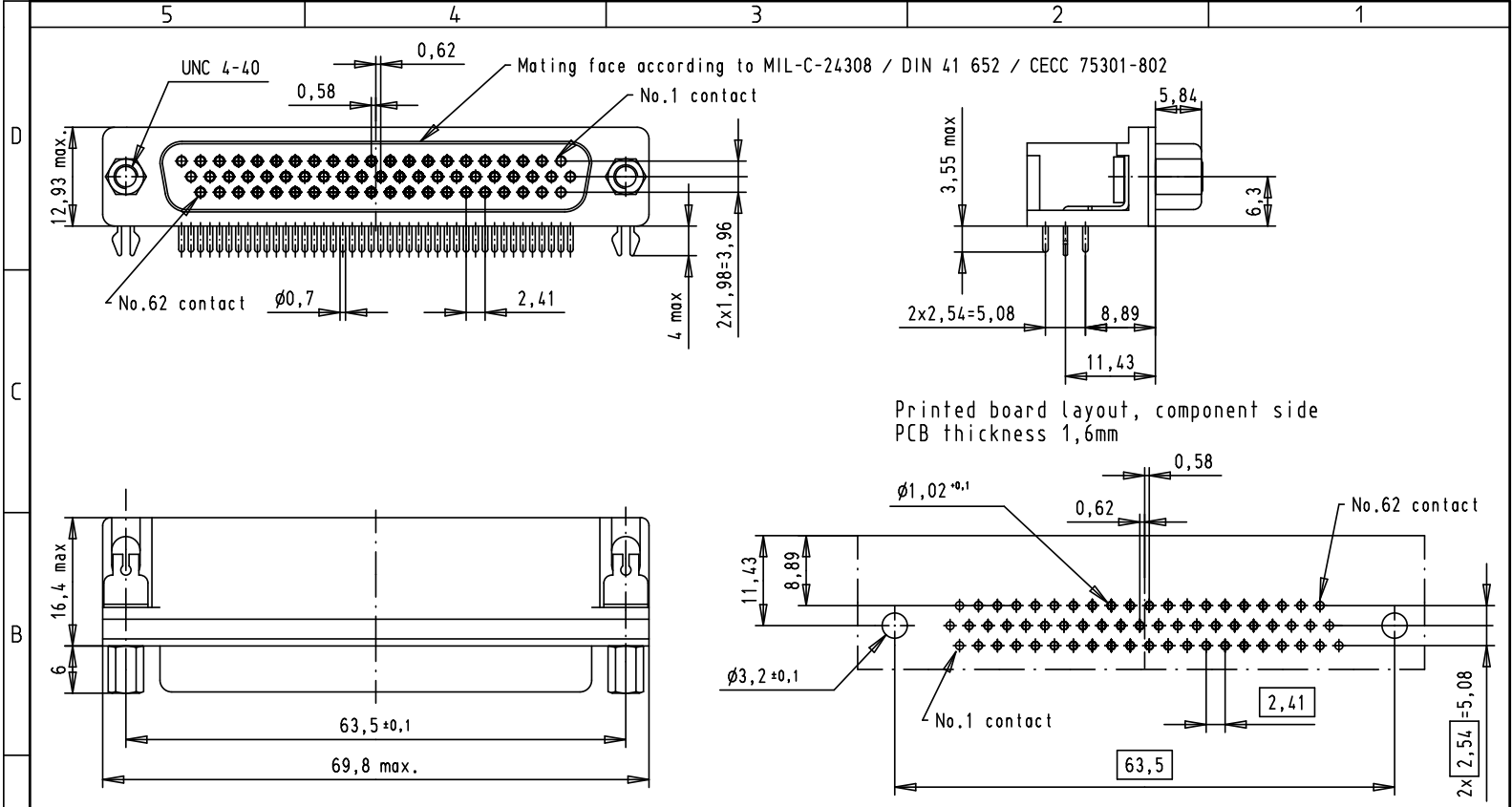




Alle Rechte vorbehalten/ All rights reserved



		36181	12-10-10	BH		Det.	Name	 All Dim. in mm Orig. Size DIN A 4	Dsub, 62 poles, female, angled solder pins screw locks and board locks	Maßstab/ Scale 1.5:1
		EC02035	07-07-10	SC	Detail.	16-SEP-02	CV			
		31485	16-04-03	S.H.	Insp.					
		31479	31-MAR-03	S.H.	Stand.					
		09564525613		S4					TB 09 56 452 x613	Blatt/ Page 1 / 1
		09564527613		PL3						
Part number	Performance level	Mod.	Det.	Name	HARTING EURL F-95972 Paris					