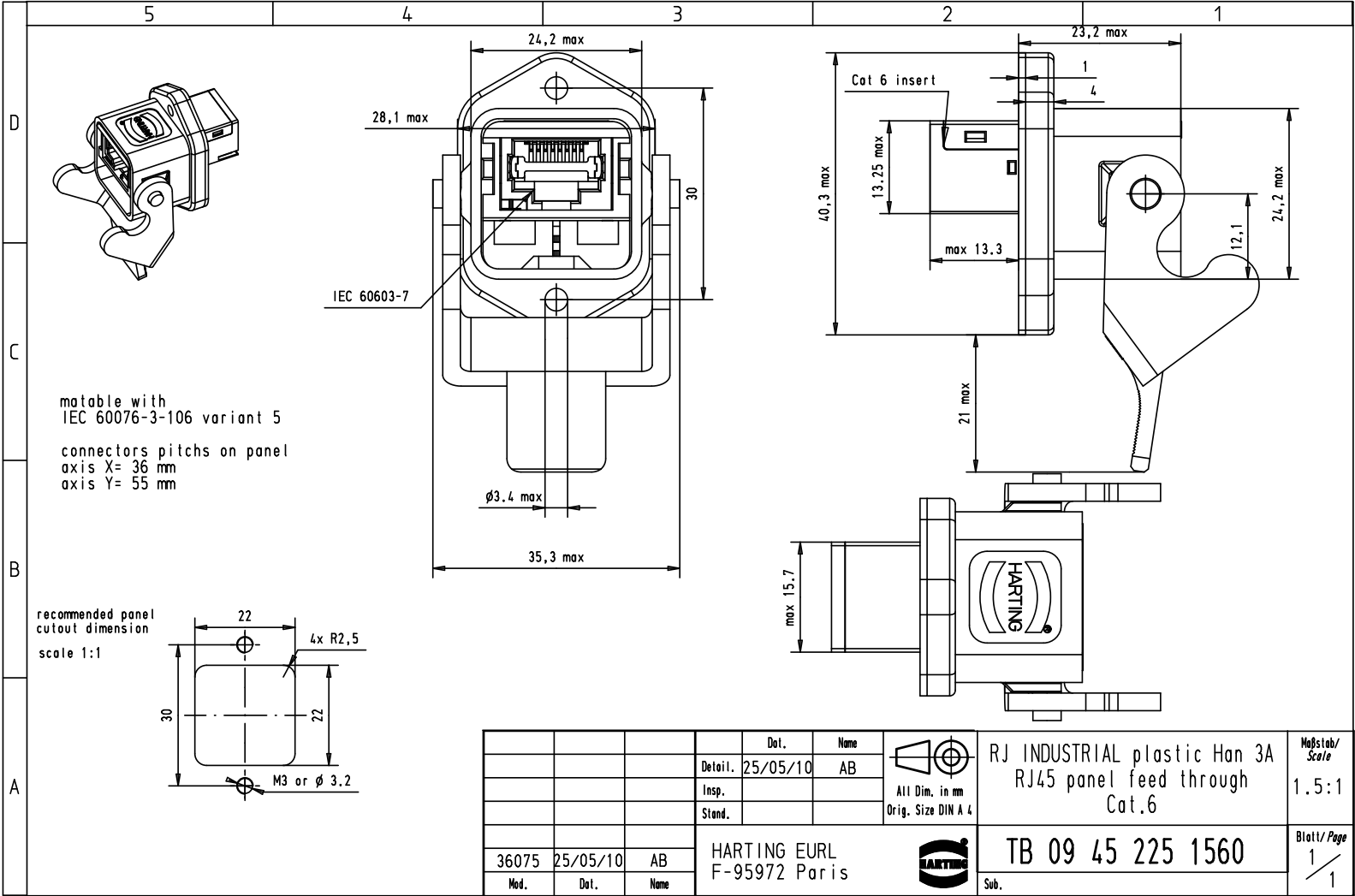




Alle Rechte vorbehalten/ All rights reserved



				Det.	Name	 All Dim. in mm Orig. Size DIN A 4	RJ INDUSTRIAL plastic Han 3A RJ45 panel feed through Cat.6	Maßstab/ Scale 1.5:1
			Detail.	25/05/10	AB			
			Insp.					
			Stand.					
36075	25/05/10	AB	HARTING EURL F-95972 Paris				TB 09 45 225 1560	Blatt/ Page 1 / 1
Mod.	Det.	Name					Sub.	