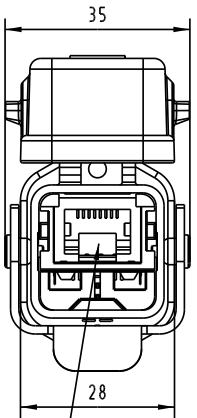
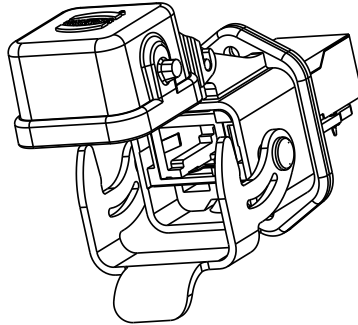
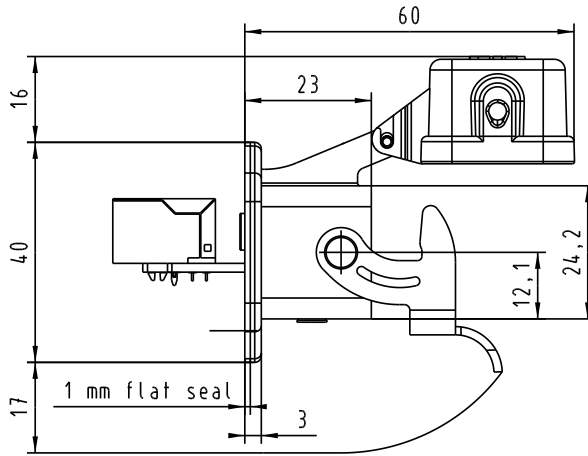


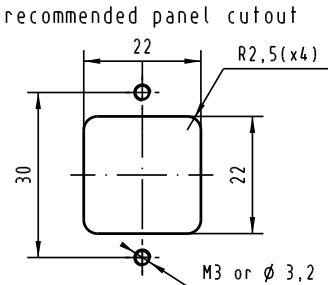
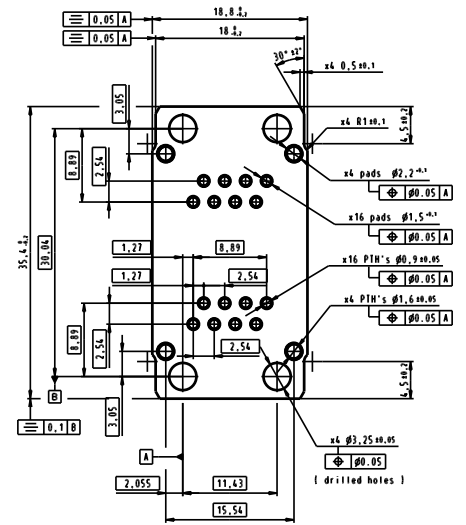
Alle Rechte vorbehalten/ All rights reserved





IEC 60603-7
SMC modular jack
12mm maxi. height
above PC-Board



recommended PC-Board layout
view components side



compatible with IEC 60076-3-106 variant 05
connectors pitch on panel:
axis X = 36 mm
axis Y = 75 mm

Mod.	Dat.	Name	Del.	Name	 All Dim. in mm Orig. Size DIN A 4	<i>RJ Industrial</i> IP67 Data 3A panel feed through metal with self-closing protective cap	Maßstab/ Scale		
			Detail.	19-JAN-05			JB		1:1
			Insp.						
			Stand.						
33087	02-SEP-05	JB							
32513	19-JAN-05	JB							
			HARTING EURL F-95972 Paris				TB 09 45 215 1103	Blatt/ Page 1/1	
							Sub.		