

Number of contacts

# 32

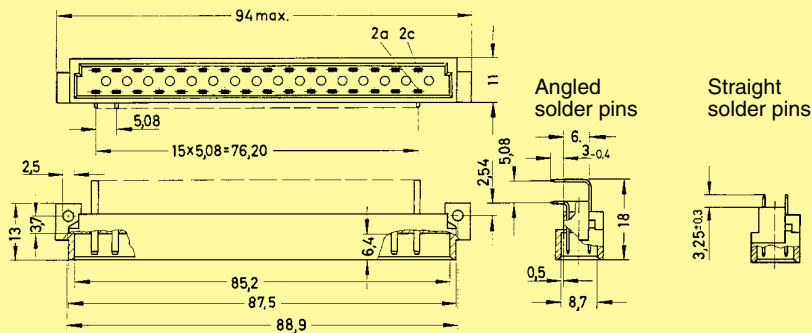


## Male connectors

Identification	Number of contacts	Contact arrangement	Part No.	Performance levels according to IEC 60 603-2. Explanation chapter 00		
				3	2	1
Male connector with angled solder pins	32		09 04 132 7921	09 04 132 6921 09 04 332 6921 <sup>b)</sup> 09 04 632 6921 <sup>c)</sup>	09 04 132 2921	
	30 + 2 <sup>▲</sup>					09 04 132 6951 09 04 632 6951 <sup>c)</sup>
Male connector with straight solder pins	32		09 04 132 6922	09 04 132 6952		
	30 + 2 <sup>▲</sup>					

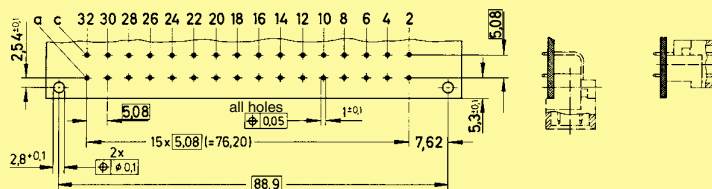
DIN Power to 6 A

## Dimensions



## Board drillings

Mounting side



Dimensions in mm

<sup>▲</sup> Male connectors with 2 leading contacts [(0.8 mm) pos. a2 and a32]  
Other contact arrangements on request

<sup>b)</sup> Connectors with snap-in clips see chapter 00

<sup>c)</sup> Connectors with coding see page 02.42