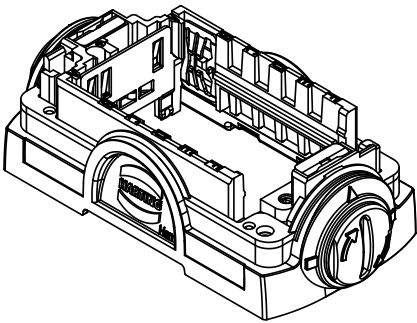
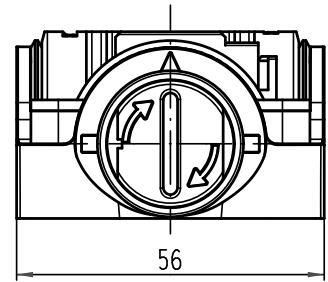
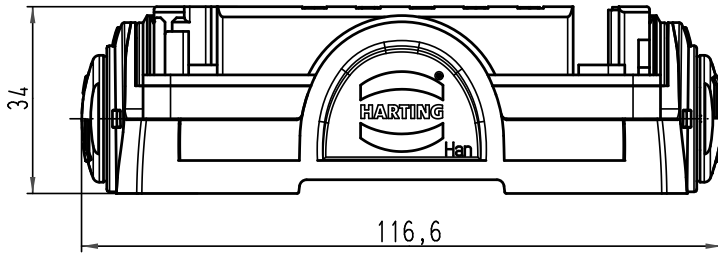


Alle Rechte vorbehalten/ All rights reserved



|   |         |                   |                                |      |   |   |
|---|---------|-------------------|--------------------------------|------|---|---|
| All Dimensions in mm<br>Original Size DIN A 4 |         | Techn. Character. |                                |      | Nicht tolerierte Maß/Free size tolerances |   |
|   |         |                   | Dat.                           | Name | Maßstab/Scale                             | <b>Han-Yellock 60-<br/>Trägergehäuse/carrier hood</b> |
|   | Detail. | 23.03.10          | Ho                             | 1:1  |   |   |
|   | Insp.   |                   | SP                             |      |   |   |
|   | Stand.  |                   |                                |      |   |   |
| A   |         |                   | HARTING Electric GmbH & Co. KG |      | <b>TB 11 12 600 0110</b>                  | Blatt/ page   |
| Mod.  | Dat.    | Name              | D-32339 Espelkamp              |      |   |   |
|   |         |                   |                                |      | Sub.                                      |   |