

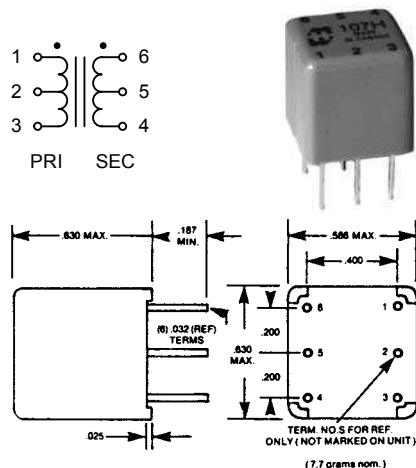
P.C. Board Mount (107-109 Series)

MINIATURE EPOXY POTTED AUDIO TRANSFORMERS

- Audio input, line matching and output transformers.
- Epoxy potted in an attractive molded case, Pin type P.C. board mount (min. 0.187" length).
- In some models where no center tap is required (on secondary), pin No. 5 is omitted.
- Power level ratings are maximum at lowest frequency rating (noted by series above charts) power can be increased slightly at higher frequencies (except 107X).
- Will withstand soldering for 10 sec. @ 260 degrees C, ambient temp. 85 degrees C max.

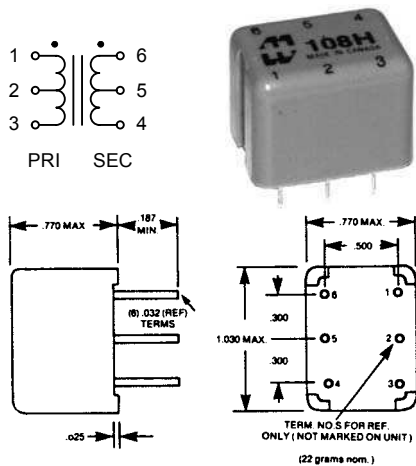
150 milliwatt (+/- 1.5 db, 300 Hz. - 50 Khz.) - 107 Series

Part No.	Nominal Impedance Primary (1-3)	Secondary (4-6)	D.C. Resistance +/- 20% Primary (1-3)	Secondary (4-6)	Max D.C. Unbalance
107B	150 C.T.	12	20	2	12
107D	150 C.T.	150 C.T.	20	25	12
107E	600 C.T.	3.2	59	0.6	6
107G	600 C.T.	250 C.T.	59	10	6
107H	600 C.T.	600 C.T.	59	75	6
107J	1K C.T.	600 C.T.	92	71	4.5
107L	10K C.T.	3.2	780	0.65	1.5
107N	10K C.T.	600 C.T.	680	70	1.5
107P	10K C.T.	1.5K C.T.	680	150	1.5
107R	10K C.T.	4K C.T.	680	390	1.5
107T	10K C.T.	10K C.T.	680	700	1.5
107V	25K C.T.	600 C.T.	1300	70	1
107X	100K C.T.	1K C.T.	3700	80	0



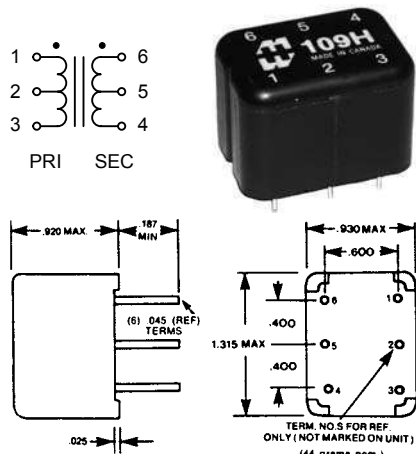
500 milliwatt (+/- 1.5 db, 300 Hz. - 50 Khz.) - 108 Series

Part No.	Nominal Impedance Primary (1-3)	Secondary (4-6)	D.C. Resistance +/- 20% Primary (1-3)	Secondary (4-6)	Max D.C. Unbalance
108E	600 C.T.	3.2	65	0.43	6
108F	600 C.T.	150 C.T.	65	18	6
108G	600 C.T.	250 C.T.	65	29	6
108H	600 C.T.	600 C.T.	65	69	6
108J	1K C.T.	600 C.T.	109	69	4.5
108K	1.5K C.T.	600 C.T.	170	69	4
108L	10K C.T.	3.2	1050	0.43	1.5
108N	10K C.T.	600 C.T.	1050	69	1.5
108P	10K C.T.	1.5K C.T.	1050	180	1.5
108T	10K C.T.	10K C.T.	1050	1200	1.5



2 Watt (+/- 1.5 db 300Hz. - 50 Khz.) - 109 Series

Part No.	Nominal Impedance Primary (1-3)	Secondary (4-6)	D.C. Resistance +/- 20% Primary (1-3)	Secondary (4-6)	Max D.C. Unbalance
109E	600 C.T.	3.2	43	0.37	6
109F	600 C.T.	150 C.T.	43	15	6
109G	600 C.T.	250 C.T.	43	24	6
109H	600 C.T.	600 C.T.	43	60	6
109J	1K C.T.	600 C.T.	69	60	4.5
109K	1.5K C.T.	600 C.T.	105	60	4
109L	10K C.T.	3.2	700	0.37	1.5
109N	10K C.T.	600 C.T.	700	60	1.5
109R	10K C.T.	1.5K C.T.	700	150	1.5
109T	10K C.T.	10K C.T.	700	1000	1.5



Audio

CANADA

Guelph, Ontario (519) 822-2960
St. Laurent, Quebec (514) 343-9010

USA

Cheektowaga, NY (716) 630-7030

www.hammondmfg.com



EUROPE

Basingstoke, UK 01256 812812

AUSTRALIA

Queenstown, Australia 61-8-8240-2244