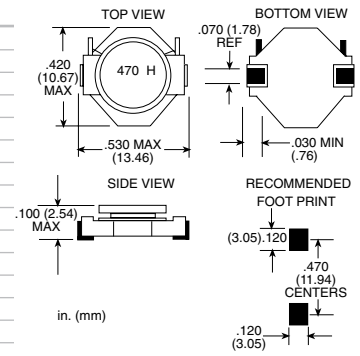


SMP3308LP Low Profile Power Inductors



PART NUMBER	L µH ±20% @ 100 kHz	DCR MAX	SATURATION CURRENT* DC AMPS	CURRENT RATING** DC AMPS
SMP3308LP-101M	1.0	.023	9.0	3.9
SMP3308LP-151M	1.5	.032	7.0	3.3
SMP3308LP-221M	2.2	.041	6.0	2.9
SMP3308LP-331M	3.3	.047	5.0	2.7
SMP3308LP-471M	4.7	.056	4.3	2.5
SMP3308LP-681M	6.8	.072	3.8	2.2
SMP3308LP-102M	10	.092	3.0	2.0
SMP3308LP-152M	15	.114	2.5	1.7
SMP3308LP-222M	22	.148	2.0	1.5
SMP3308LP-332M	33	.206	1.7	1.3
SMP3308LP-472M	47	.320	1.4	1.0
SMP3308LP-682M	68	.460	1.2	.87
SMP3308LP-103M	100	.641	.940	.74
SMP3308LP-153M	150	1.05	.770	.58
SMP3308LP-223M	220	1.62	.640	.46
SMP3308LP-333M	330	2.28	.530	.39
SMP3308LP-473M	470	2.76	.430	.35
SMP3308LP-683M	680	4.36	.360	.28
SMP3308LP-104M	1000	6.62	.300	.23
SMP3308LP-224M	2200	12.5	.185	.17
SMP3308LP-334M	3300	19.3	.155	.13
SMP3308LP-474M	4700	32.0	.140	.10
SMP3308LP-564M	5600	38.0	.125	.096



NOTES:

- Operating temperature -55°C to +125°C
- *Saturation current is the approximate value that will reduce the initial inductance by 10%
- **Rated current is based on a 40°C temperature rise at an ambient temperature of 85°C.

TAPE AND REEL SPECS:

Pcs./Reel maximum:	700
Pitch between parts:	16 mm
Tape width:	24 mm
Reel diameter inches:	13