

743.0MHz SAW Filter

Model: **TA0343A**

Part No: **MA07973**

REV NO.: 1

A. MAXIMUM RATING:

1. Input Power Level: 12 dBm
2. DC voltage: 10 V
3. Operating Temperature: -10°C to +60°C
4. Storage Temperature: -40°C to +85°C

B. ELECTRICAL CHARACTERISTICS:

Reference temperature: 25°C

Item		Min.	Typical	Max.
Center frequency	Fc MHz	-	743	-
Insertion loss	740 ~ 746 MHz IL dB	-	2.6	4.5
Amplitude ripple	740 ~ 746 MHz dB	-	0.7	
Absolute Attenuation				
0 ~ 643	MHz dB	43	49	-
643 ~ 693	MHz dB	40	46	-
693 ~ 720	MHz dB	35	42	-
766 ~ 793	MHz dB	35	45	-
793 ~ 843	MHz dB	40	49	-
843 ~ 1000	MHz dB	38	45	-
1000 ~ 1500	MHz dB	25	33	-
Group Delay Variation (p-p)		ns	45	-
Temperature coefficient of frequency		ppm/°C	-35	
Source impedance	Zs Ω	-	50	-
Load impedance	ZL Ω	-	50	-

743.0MHz SAW Filter

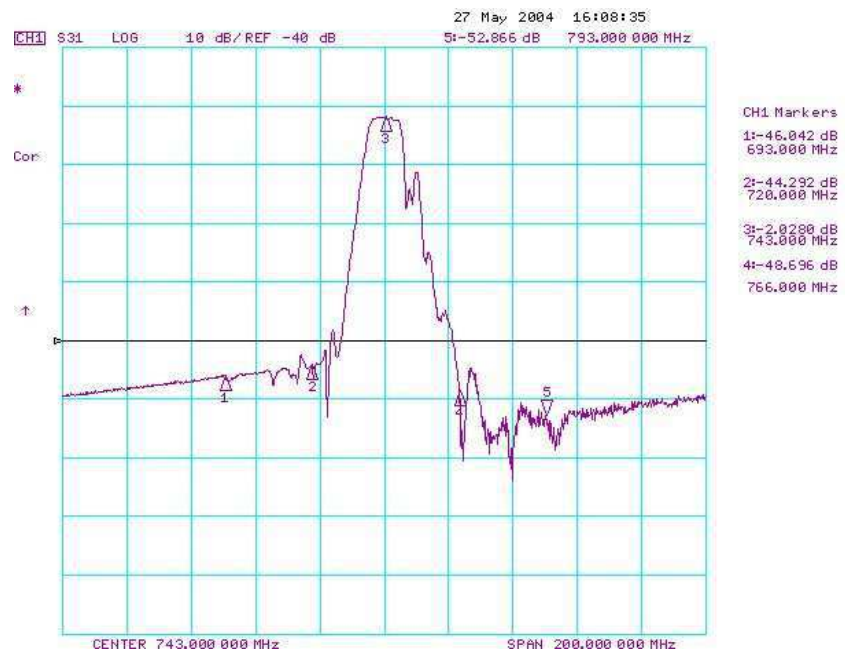
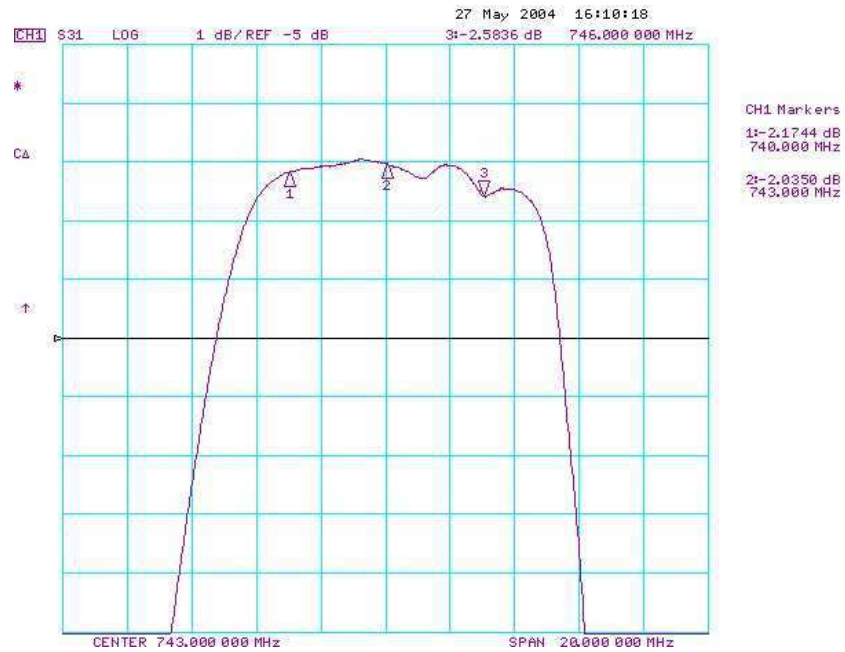
Model: TA0343A

Part No: MA07973

REV NO.: 1

C. FREQUENCY CHARACTERISTICS:

Transfer Function:

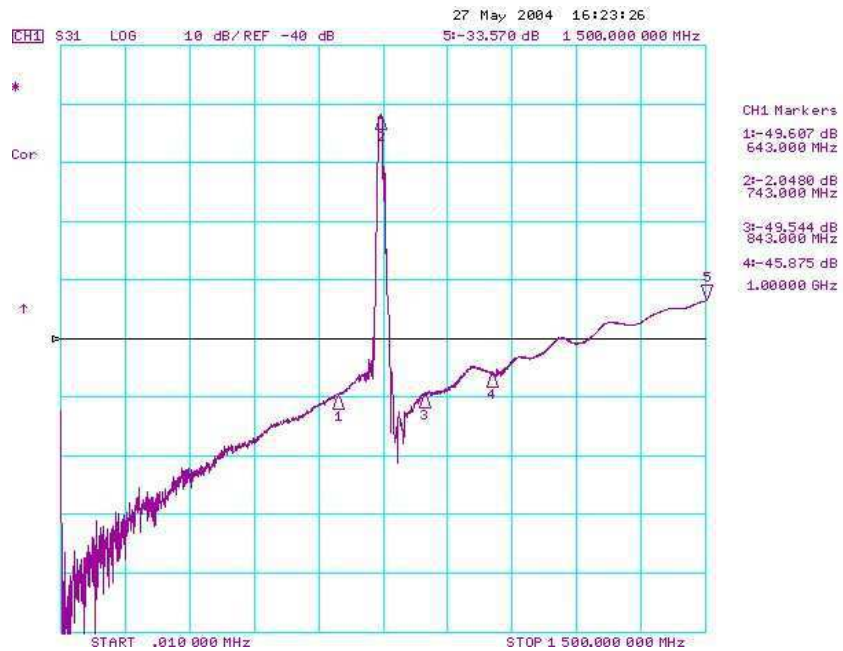


743.0MHz SAW Filter

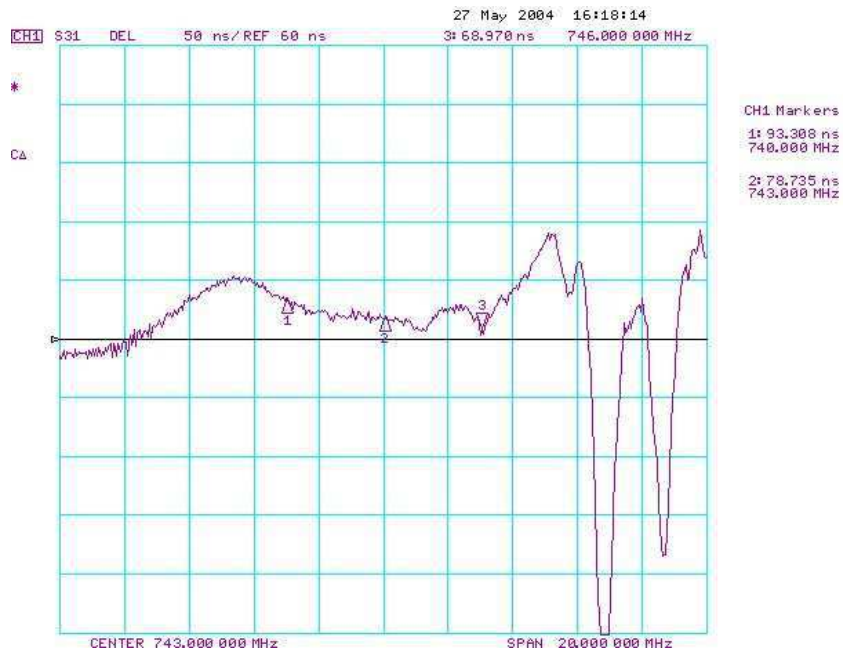
Model: TA0343A

Part No: MA07973

REV NO.: 1



Group Delay:



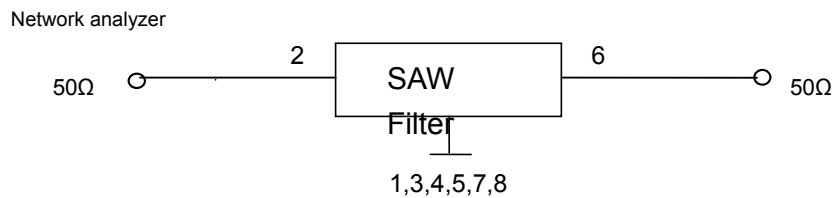
743.0MHz SAW Filter

Model: **TA0343A**

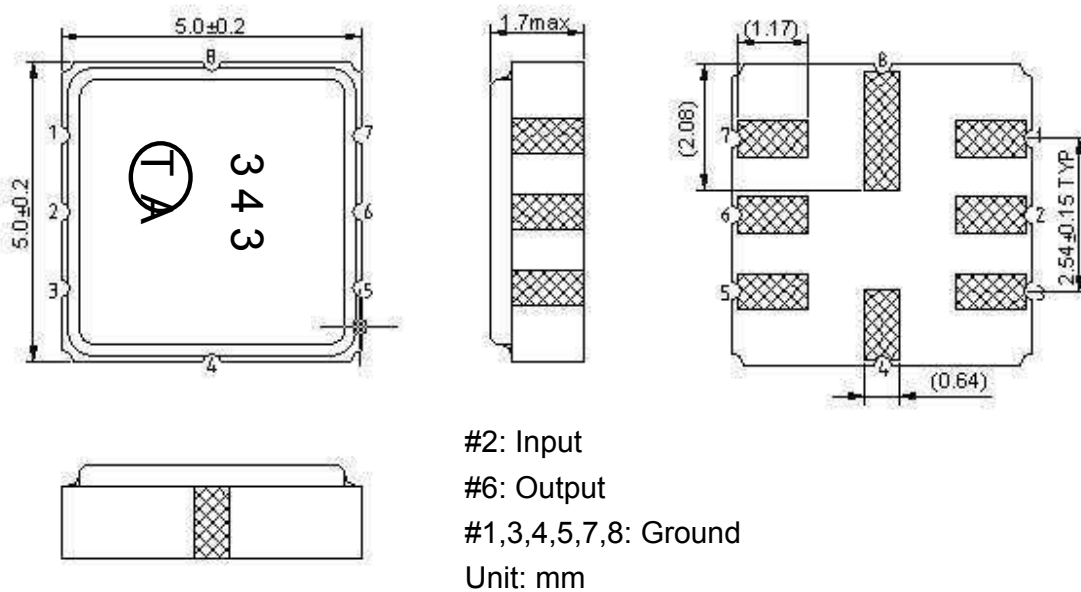
Part No: **MA07973**

REV NO.: 1

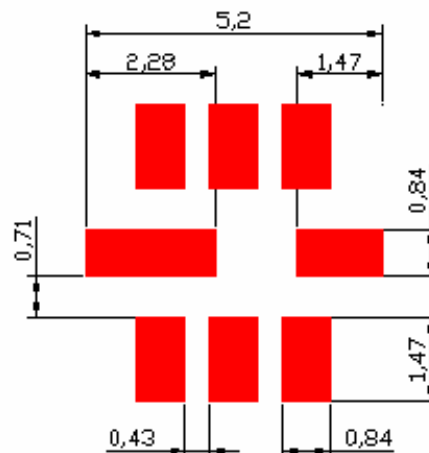
D. MEASUREMENT CIRCUIT:



E. OUTLINE DRAWING:



F. PCB FOOTPRINT:



743.0MHz SAW Filter

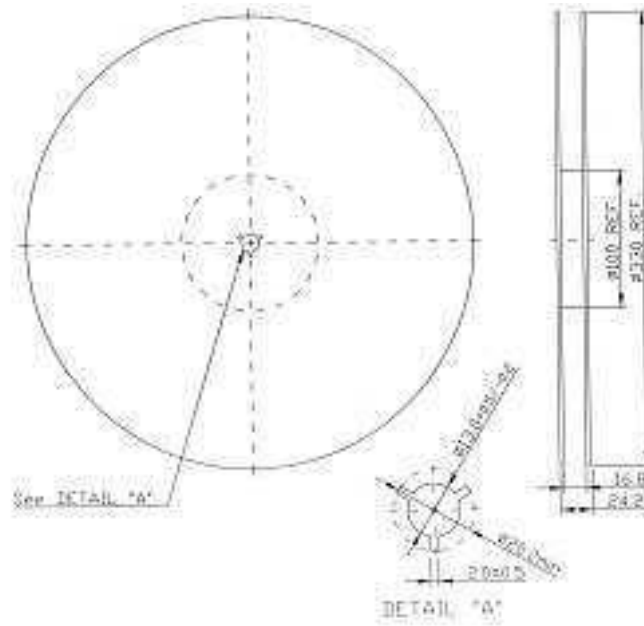
Model: TA0343A

Part No: MA07973

REV NO.: 1

G. PACKING:

1. REEL DIMENSION



2. TAPE DIMENSION

