

SAW Filter 713.0MHz

Model: TA0342A

Part No: **MA07972**

REV. NO.: 1

A. MAXIMUM RATING:

1. Input Power Level: 12 dBm
2. DC voltage: 10 V
3. Operating Temperature: -10°C to +60°C
4. Storage Temperature: -40°C to +85°C

B. ELECTRICAL CHARACTERISTICS:

Reference temperature: 25°C

Item		Min.	Typical	Max.
Center frequency	Fc MHz	-	713	-
Insertion loss	710 ~ 716 MHz IL dB	-	2.4	4.5
Amplitude ripple	710 ~ 716 MHz dB	-	0.5	-
Absolute Attenuation				
0 ~ 613 MHz	dB	44	50	-
613 ~ 663 MHz	dB	40	48	-
663 ~ 690 MHz	dB	35	43	-
740 ~ 746 MHz	dB	35	46	-
763 ~ 813 MHz	dB	40	50	-
813 ~ 1000 MHz	dB	38	45	-
1000 ~ 1500 MHz	dB	25	34	-
Group Delay Variation (p-p)	ns	-	40	-
Temperature coefficient of frequency	ppm/°C		-35	
Source impedance	Zs Ω	-	50	-
Load impedance	ZL Ω	-	50	-

SAW Filter 713.0MHz

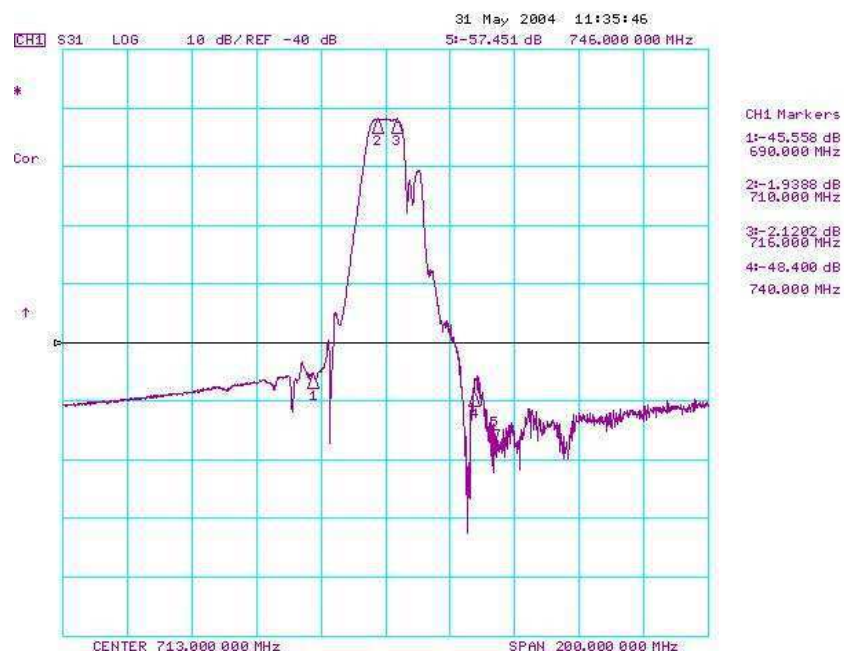
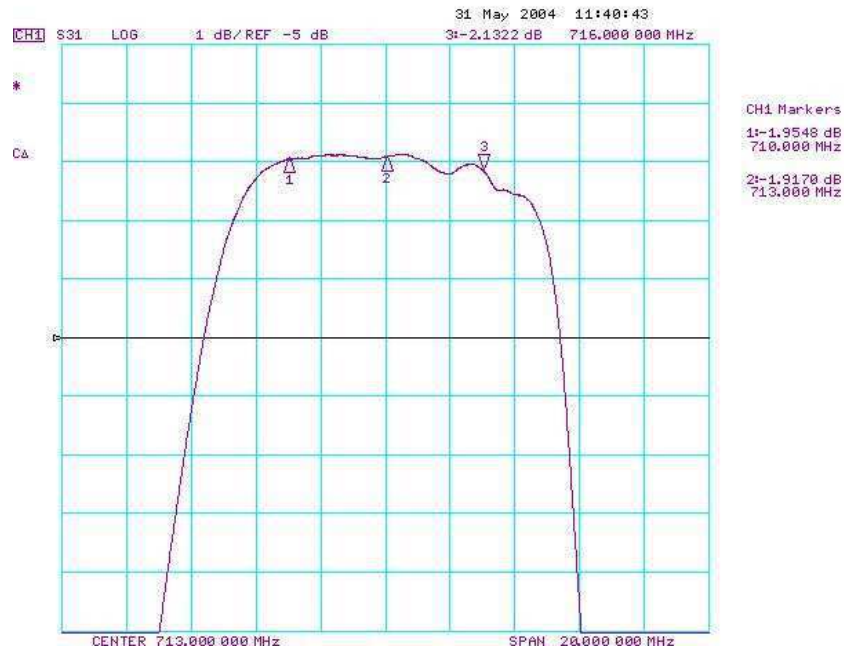
Model: TA0342A

Part No: MA07972

REV. NO.: 1

C. FREQUENCY CHARACTERISTICS:

Transfer Function:

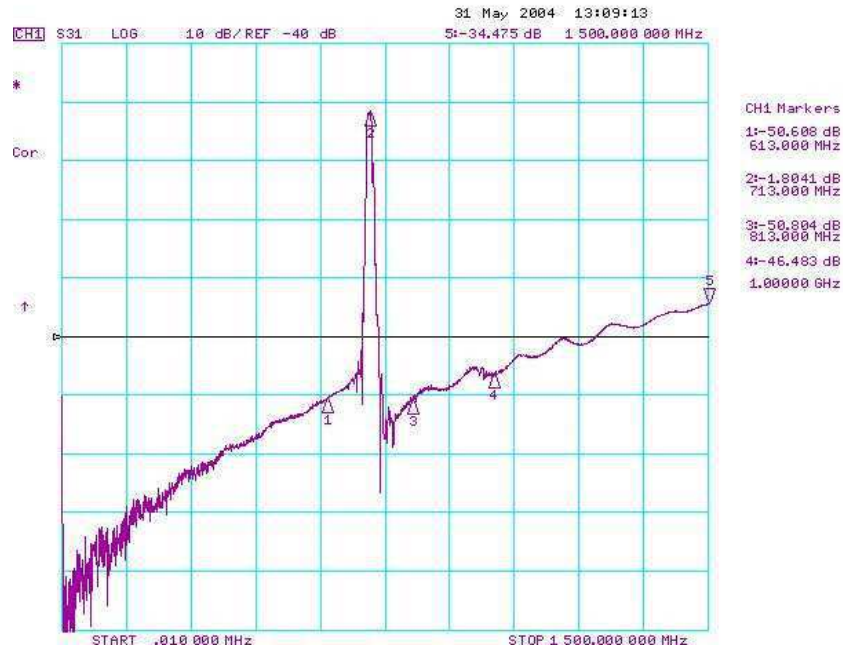


SAW Filter 713.0MHz

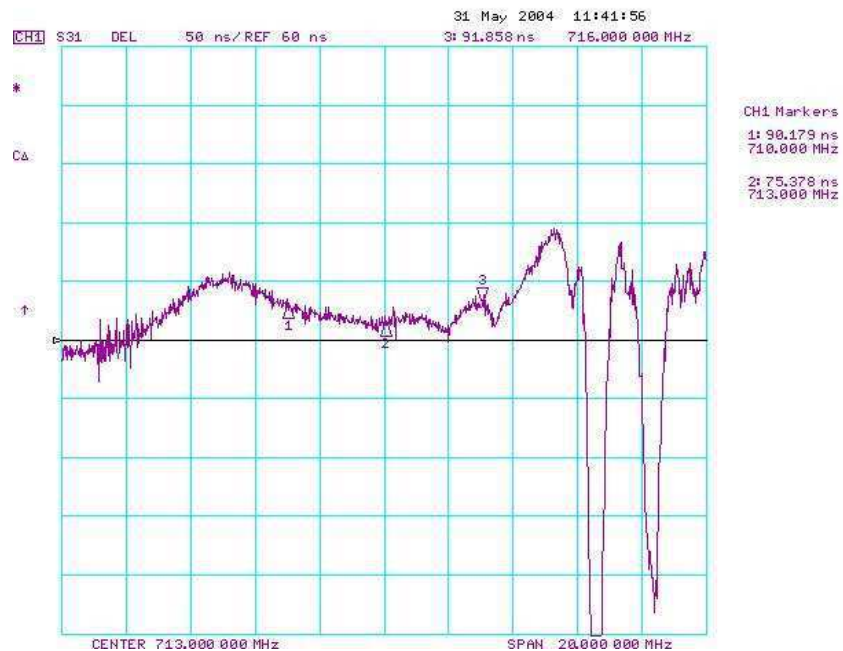
Model: TA0342A

Part No: MA07972

REV. NO.: 1



Group Delay Variation:



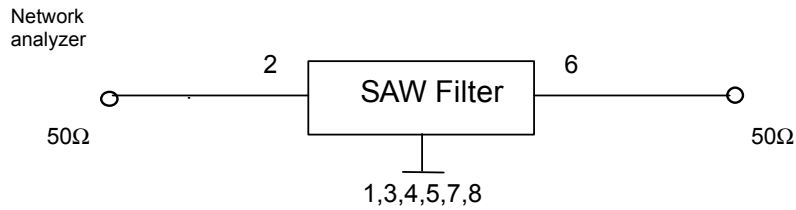
SAW Filter 713.0MHz

Model: TA0342A

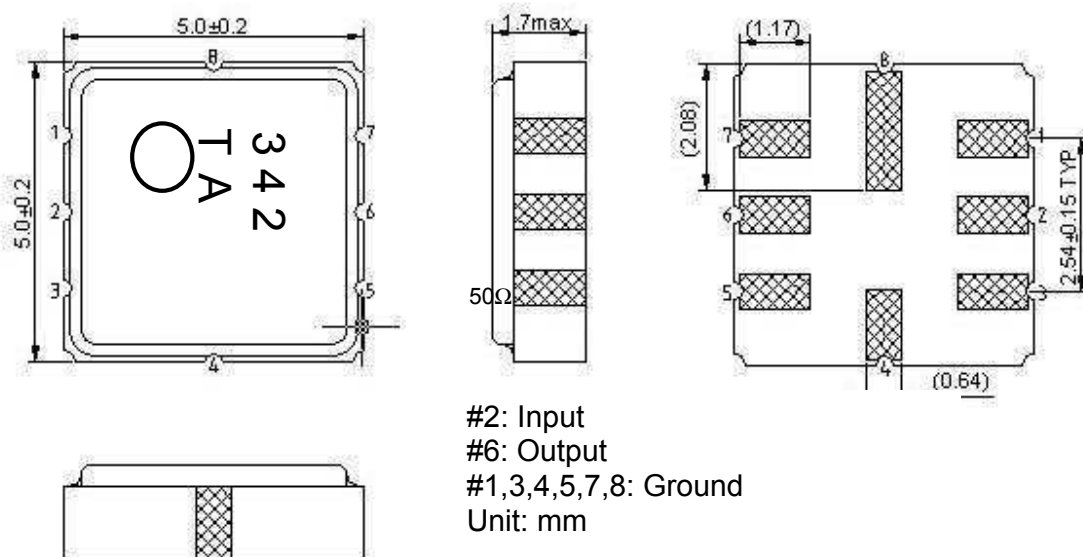
Part No: **MA07972**

REV. NO.: 1

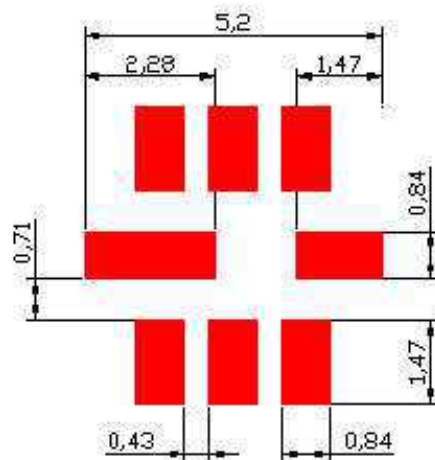
D. MEASUREMENT CIRCUIT:



E. OUTLINE DRAWING:



F.PCB Footprint:



SAW Filter 713.0MHz

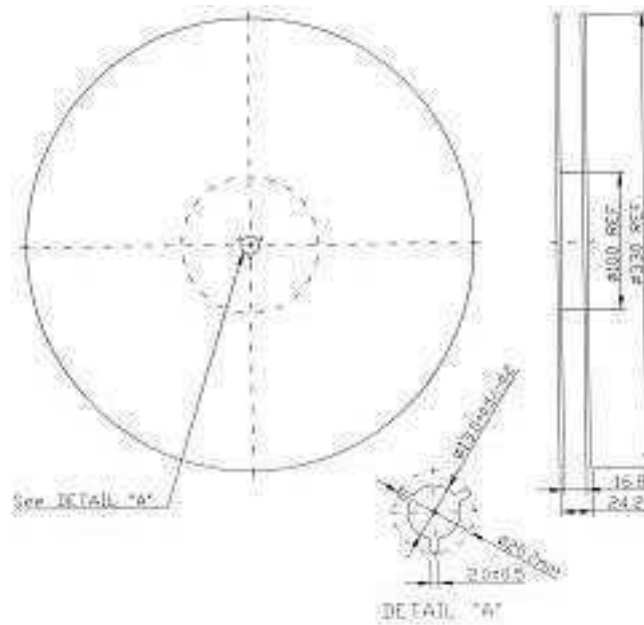
Model: TA0342A

Part No: MA07972

REV. NO.: 1

G. PACKING:

1. REEL DIMENSION



2. TAPE DIMENSION

