

712-416 • PEEK Only

Composite Straight Backshell Adapter for MIL-DTL-38999 Series III and IV Fiber Optic Connectors

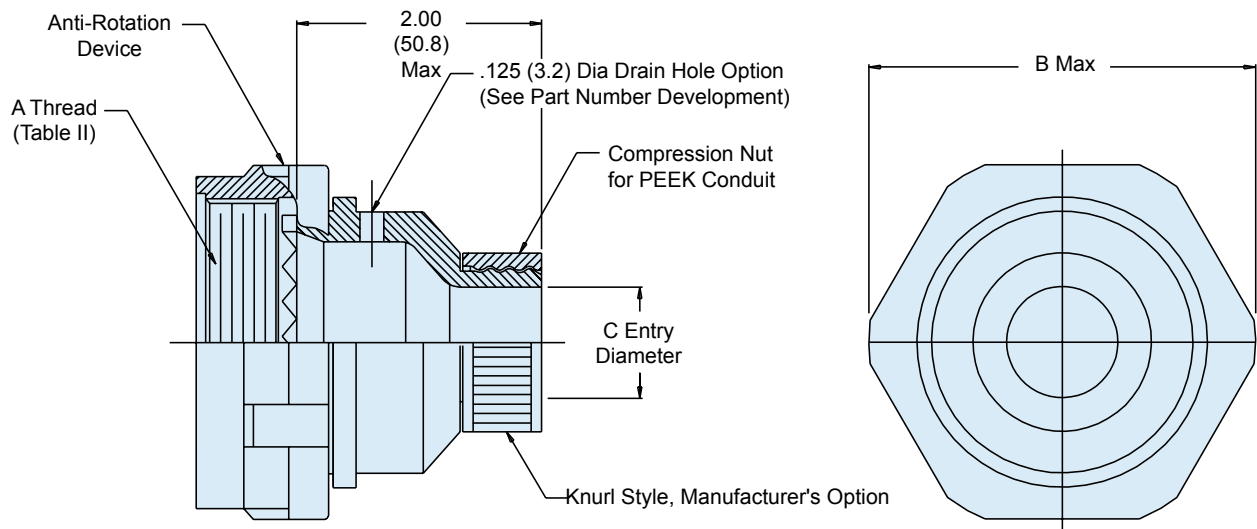
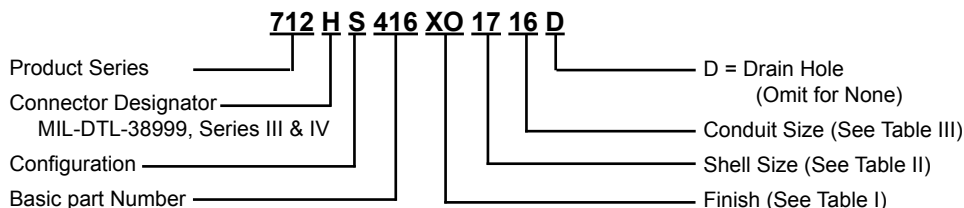


TABLE I: FINISH		
SYM	MATERIAL	FINISH
XM	Composite	Electroless Nickel
XW	Composite	Cadmium O.D. Over Electroless Nickel
XO	Composite	No Plating—Base

TABLE II: SHELL SIZE		
Shell Size	A Thread ISO Metric	B Max
11	M15 x 1 - 6H	.980 (24.0)
13	M18 x 1 - 6H	1.160 (28.4)
15	M22 x 1 - 6H	1.280 (32.5)
17	M25 x 1 - 6H	1.410 (35.8)
19	M28 x 1 - 6H	1.520 (38.6)
21	M31 x 1 - 6H	1.640 (41.7)
23	M34 x 1 - 6H	1.770 (43.4)
25	M37 x 1 - 6H	1.890 (48.0)

TABLE III: PEEK TUBING SIZE		
Dash No.	Fractional Size	C Entry Dia
06	3/16	.100 (2.5)
09	9/32	.171 (4.2)
12	3/8	.265 (6.7)
16	1/2	.390 (9.6)
20	5/8	.515 (12.6)
24	3/4	.640 (15.7)
28	7/8	.765 (18.7)
32	1	.890 (21.8)

APPLICATION NOTES
1. Metric dimensions (mm) are in parentheses and are for reference only.
2. Material: Adapter, Coupling and Compression Nuts - High-Grade Engineering Thermoplastic. O-Ring - Fluorosilicone or Silicone. Anti-Rotation Device: Corrosion Resistant Material.
3. Unless otherwise specified, the backshell body to be supplied finished per Table I. All other components to be supplied without plating.