

## Model Number Legend

G2R --- VDC  
 1 2 3 4 5 6 7 8 9 10

### 1. Relay Function

None: General-purpose  
 K: Double-winding latching.

### 2. Number of Poles

1: 1 pole  
 2: 2 poles

### 3. Contact Form

None: PDT  
 A: PST-NO

### 4. Contact Type

None: Single  
 Z: Bifurcated  
 3: Bifurcated crossbar

### 5. Enclosure Ratings

None: Flux protection  
 4: Fully sealed

### 6. Terminals

None: Straight PCB  
 S: Plug-in  
 T: Quick-connect (upper bracket mounting)

### 7. Classification

None: General-purpose  
 E: High-capacity  
 H: High-sensitivity  
 N: LED indicator  
 D: Diode  
 ND: LED indicator and diode

### 8. Test button

1: Test button  
**Note:** Applied for only SN and SND type

### 9. Contact Material

None: AgCdO  
 ASI: AgSnIn

### 10. Rated Coil Voltage

Refer to *Coil Ratings*.

## ■ Accessories (Order Separately)

### Connecting Sockets

Number of poles	Applicable Relay model	Track/surface-mounting Socket	Back-mounting Socket	
			Terminals	Model
1 pole	G2R-1-S(N)(D)(ND)(NI)(NDI) G2R-13-S (G2R-1A3-S)	P2RF-05-E P2RF-05	PCB terminals	P2R-05P, P2R-057P
			Solder terminals	P2R-05A
2 poles	G2R-2-S(N)(D)(ND)(NI)(NDI)	P2RF-08-E P2RF-08	PCB terminals	P2R-08P, P2R-087P
			Solder terminals	P2R-08A

**Note:** See *Dimensions* for details on socket size.

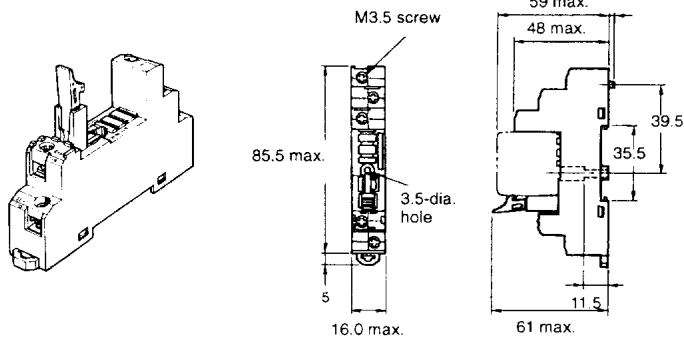
### Mounting Track

Applicable socket	Description	Model
Track connecting socket	Mounting track	50 cm (ℓ) x 7.3 mm (t): PFP-50N 1 m (ℓ) x 7.3 mm (t): PFP-100N 1 m (ℓ) x 16 mm (t): PFP-100N2
	End plate	PFP-M
	Spacer	PFP-S
Back connecting socket	Mounting plate	P2R-P*

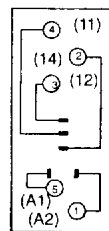
\*Used to mount several P2R-05A and P2R-08A connecting sockets side by side.

**Track/Surface Mounting Sockets**

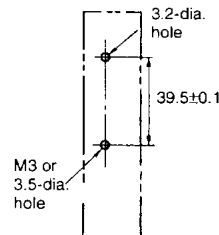
**P2RF-05-E**



**Terminal Arrangement (Top View)**

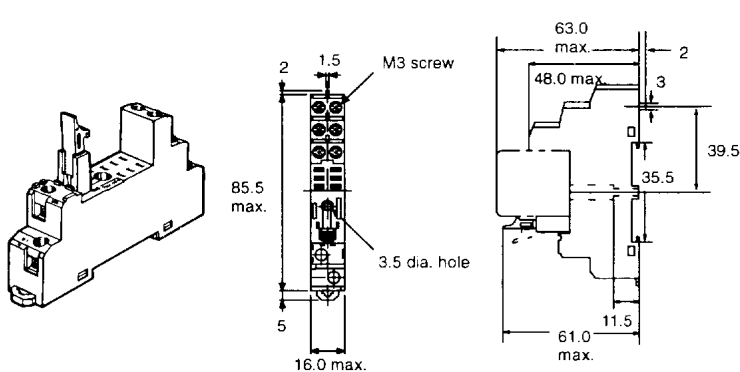


**Mounting Holes (for Surface Mounting)**

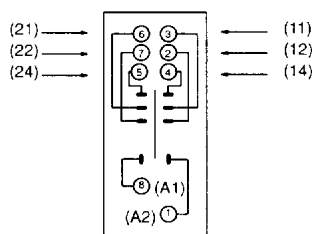


**Note:** Pin numbers in parentheses apply to DIN standard.

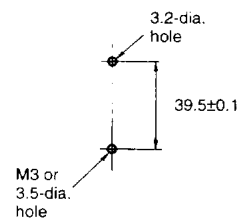
**P2RF-08-E**



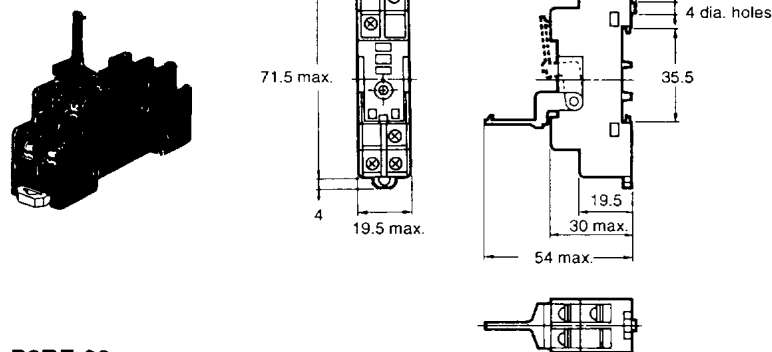
**Terminal Arrangement (Top View)**



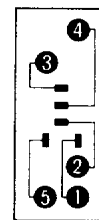
**Mounting Holes (for Surface Mounting)**



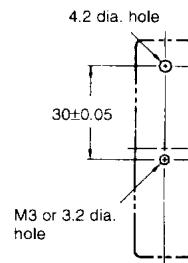
**P2RF-05**



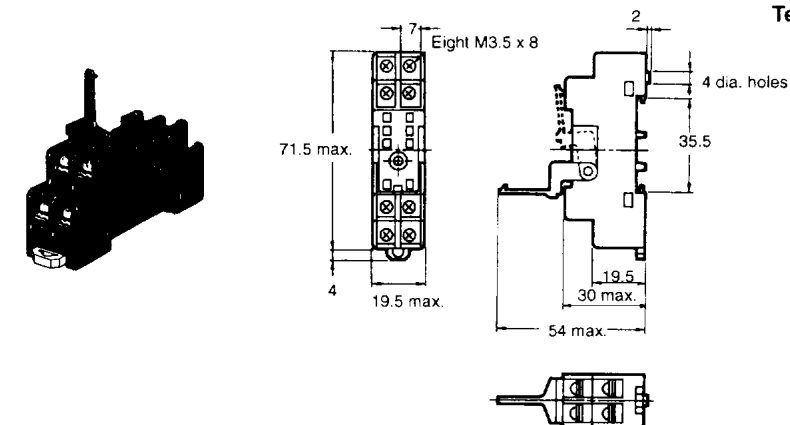
**Terminal Arrangement**



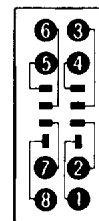
**Mounting Holes (for Surface Mounting)**



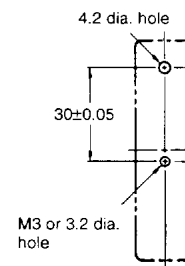
**P2RF-08**



**Terminal Arrangement**

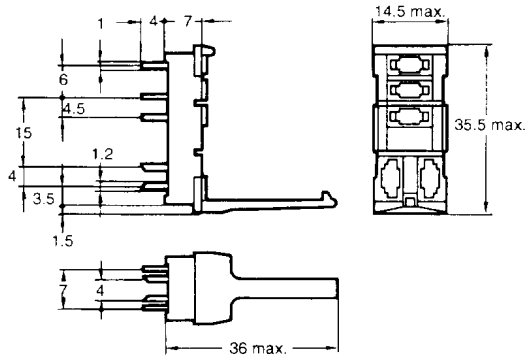
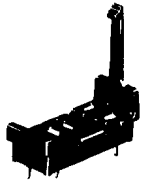


**Mounting Holes (for Surface Mounting)**

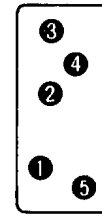


**Back Connecting Sockets**

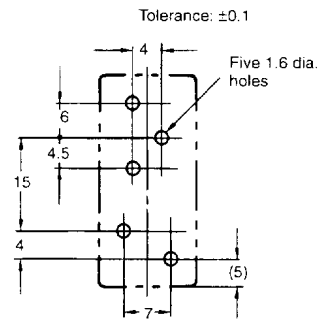
**P2R-05P (1-pole)**



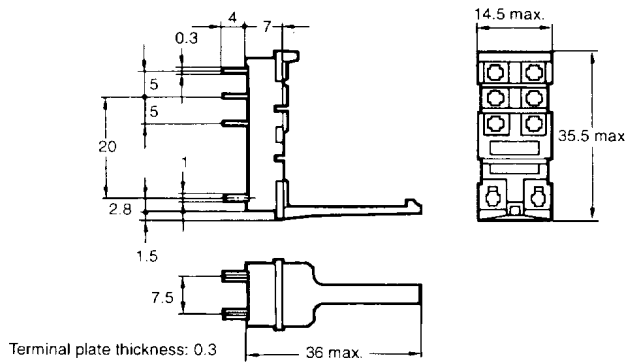
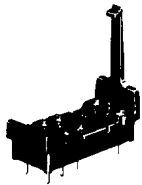
**Terminal Arrangement**



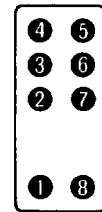
**Mounting Holes**



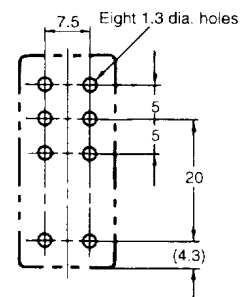
**P2R-08P (2-pole)**



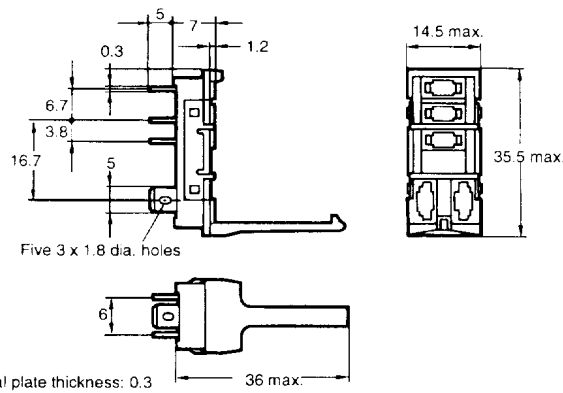
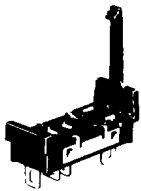
**Terminal Arrangement**



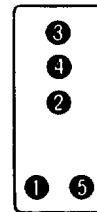
**Mounting Holes**



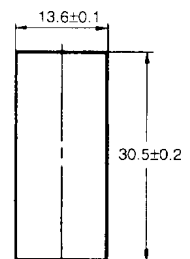
**P2R-05A (1-pole)**



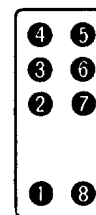
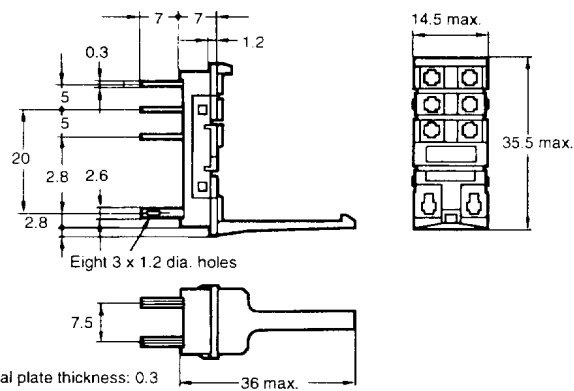
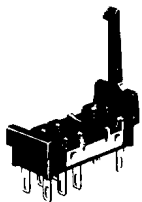
**Terminal Arrangement**



**Panel Cutout**



**P2R-08A (2-pole)**



Recommended thickness of the panel is 1.6 to 2.0 mm