

FOD420, FOD4208, FOD4216, FOD4218 6-Pin DIP Triac Drivers

Features

- 300mA on-state current
- High blocking voltage
 - 800V (FOD4208, FOD4218)
 - 600V (FOD420, FOD4216)
- High trigger sensitivity
 - 1.3mA (FOD4216, FOD4218)
 - 2mA (FOD420, FOD4208)
- High static dv/dt (10,000V/μs)
- 6 pin DIP dual in-line package
 - available with surface mount leadform.
- Lead free assembly
- UL, VDE, FIMKO and C-UL approved

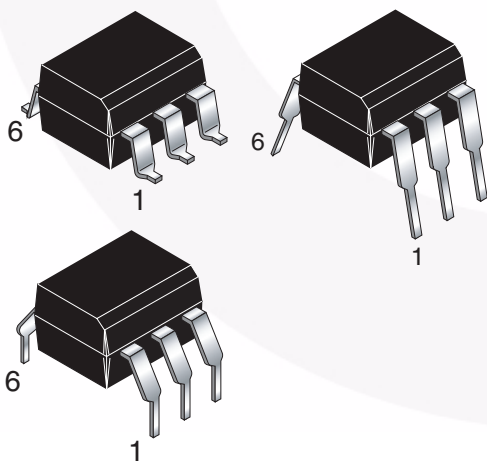
Applications

- Solid-state relays
- Industrial controls
- Lighting controls
- Static power switches
- AC motor starters

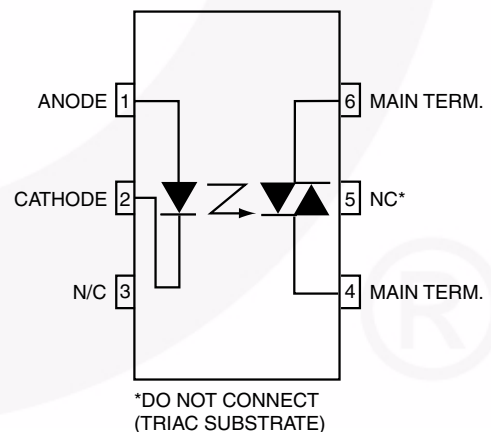
Description

The FOD420, FOD4208, FOD4216 and FOD4218 devices consist of an infrared emitting diode coupled to a hybrid random phase triac formed with two inverse parallel SCRs which form the triac function capable of driving discrete triacs. The FOD4216 and FOD4218 utilize a high efficiency infrared emitting diode which offers an improved trigger sensitivity. These devices are housed in a standard 6-pin dual in-line (DIP) package.

Package



Schematic



Absolute Maximum Ratings ($T_A = 25^\circ\text{C}$ unless otherwise noted)

Stresses exceeding the absolute maximum ratings may damage the device. The device may not function or be operable above the recommended operating conditions and stressing the parts to these levels is not recommended. In addition, extended exposure to stresses above the recommended operating conditions may affect device reliability. The absolute maximum ratings are stress ratings only.

Symbol	Parameters	Device	Value	Units
TOTAL DEVICE				
T_{STG}	Storage Temperature	All	-55 to +150	$^\circ\text{C}$
T_{OPR}	Operating Temperature	All	-55 to +100	$^\circ\text{C}$
T_{SOL}	Lead Solder Temperature (Wave)	All	260 for 10 sec	$^\circ\text{C}$
T_J	Junction Temperature Range	All	125	$^\circ\text{C}$
V_{ISO}	Isolation Test Voltage ⁽¹⁾ (rms AC voltage, 60Hz, 1 min. duration)	All	5000	Vac(rms)
P_{DTOTAL}	Total Device Power Dissipation @ 25 $^\circ\text{C}$ Derate above 40 $^\circ\text{C}$	All	500	mW
			6.6	mW/ $^\circ\text{C}$
EMITTER				
I_F	Continuous Forward Current	All	30	mA
V_R	Reverse Voltage	All	6	V
P_{DE}	Total Power Dissipation 25 $^\circ\text{C}$ Ambient Derate above 40 $^\circ\text{C}$	All	50	mW
			0.71	mW/ $^\circ\text{C}$
DETECTOR				
V_{DRM}	Off-State Output Terminal Voltage	FOD420, FOD4216	600	V
		FOD4208, FOD4218	800	
I_{TSM}	Peak Non-Repetitive Surge Current (single cycle 60Hz sine wave)	All	3	A
I_{TM}	Peak On-State Current	All	300	mA
P_{DDET}	Total Power Dissipation @ 25 $^\circ\text{C}$ Ambient Derate above 40 $^\circ\text{C}$	All	450	mW
			5.9	mW/ $^\circ\text{C}$

Note:

1. Isolation voltage, V_{ISO} , is an internal device dielectric breakdown rating. For this test, Pins 1, 2 and 3 are common, and Pins 4, 5 and 6 are common. 5,000 VRMS for 1 minute duration is equivalent to 6,000 VRMS for 1 second duration.

Electrical Characteristics ($T_A = 25^\circ\text{C}$ Unless otherwise specified)**Individual Component Characteristics**

Symbol	Parameters	Test Conditions	Device	Min.	Typ.*	Max	Units
EMITTER							
V_F	Input Forward Voltage	$I_F = 20\text{mA}$	All		1.28	1.5	V
I_R	Reverse Leakage Current	$V_R = 6\text{V}$	All		0.01	10	μA
DETECTOR							
I_{DRM}	Peak Blocking Current, Either Direction	$I_F = 0,$ $T_A = 100^\circ\text{C}^{(2)}$	$V_D = 800\text{V}$	FOD4208, FOD4218	3	100	μA
			$V_D = 600\text{V}$	FOD420, FOD4216			
$I_{R(RMS)}$	Reverse Current	$T_A = 100^\circ\text{C}$	$V_D = 800\text{V}$	FOD4208, FOD4218	3	100	μA
			$V_D = 600\text{V}$	FOD420, FOD4216			
dv/dt	Critical Rate of Rise of Off-State Voltage	$I_F = 0^{(4)}$ (Fig. 11)		10,000			V/ μs

Transfer Characteristics

Symbol	DC Characteristics	Test Conditions	Device	Min.	Typ.*	Max.	Units
I_{FT}	LED Trigger Current	Main Terminal Voltage = $5\text{V}^{(3)}$	FOD420, FOD4208		0.75	2.0	mA
			FOD4216, FOD4218		0.75	1.3	
V_{TM}	Peak On-State Voltage, Either Direction	$I_{TM} = 300\text{ mA peak}, I_F = \text{rated } I_{FT}$	All		2.2	3	V
I_H	Holding Current, Either Direction	$V_T = 3\text{V}$	All		200	500	μA
I_L	Latching Current	$V_T = 2.2\text{V}$	All		5		mA
t_{ON}	Turn-On Time	PF = 1.0, $I_T = 300\text{mA}$	$V_{RM} = V_{DM} = 565\text{ VAC}$	FOD4208		60	μs
			$V_{RM} = V_{DM} = 424\text{ VAC}$	FOD420, FOD4216, FOD4218			
t_{OFF}	Turn-Off Time		$V_{RM} = V_{DM} = 565\text{ VAC}$	FOD4208		52	μs
			$V_{RM} = V_{DM} = 424\text{ VAC}$	FOD420, FOD4216, FOD4218			
dv/dt _{crq}	Critical Rate of Rise of Voltage at Current Commutation	$V_D = 0.67 V_{DRM},$ $di/dt_{crq} \leq 15\text{ A/ms}$	$T_j = 25^\circ\text{C}$	All	10,000		V/ μs
			$T_j = 80^\circ\text{C}$		5,000		
di/dt _{cr}	Critical Rate of Rise of On-State Current		All			8	A/ μs
dV(IO)/dt	Critical Rate of Rise of Coupled Input/Output Voltage	$I_T = 0\text{A},$ $V_{RM} = V_{DM} = 424\text{VAC}$	All		10,000		V/ μs

Isolation Characteristics

Symbol	Characteristics	Test Conditions	Min.	Typ.*	Max.	Units
V_{ISO}	Input-Output Isolation Voltage	$f = 60\text{Hz}, t = 1\text{ min.}^{(5)}$	5000			Vac(rms)

*Typical values at $T_A = 25^\circ\text{C}$

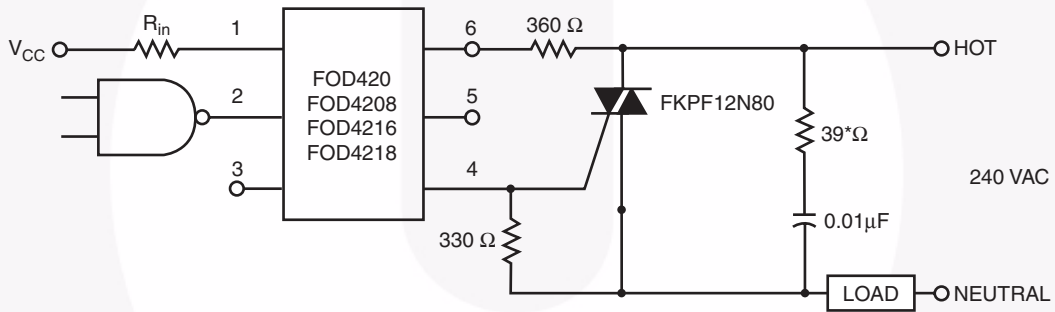
Notes:

2. Test voltage must be applied within dv/dt rating.
3. All devices are guaranteed to trigger at an I_F value less than or equal to max I_{FT} . Therefore, recommended operating I_F lies between max I_{FT} (2mA for FOD420 and FOD4208 and 1.3mA for FOD4216 and FOD4218 and the absolute max I_F (30mA).
4. This is static dv/dt. See Figure 11 for test circuit. Commutating dv/dt is a function of the load-driving thyristor(s) only.
5. Isolation voltage, V_{ISO} , is an internal device dielectric breakdown rating. For this test, Pins 1, 2 and 3 are common, and Pins 4, 5 and 6 are common.

Typical Application

Typical circuit for use when hot line switching is required. In this circuit the "hot" side of the line is switched and the load connected to the cold or neutral side. The load may be connected to either the neutral or hot line.

R_{in} is calculated so that I_F is equal to the rated I_{FT} of the part, 2mA for FOD420 and FOD4208, 1.3mA for FOD4216 and FOD4218. The 39Ω resistor and 0.01μF capacitor are for snubbing of the triac and may or may not be necessary depending upon the particular triac and load use.



* For highly inductive loads (power factor < 0.5), change this value to 360 ohms.

Figure 1. Hot-Line Switching Application Circuit

Typical Performance Curves

Figure 2. Forward Voltage (V_F) vs. Forward Current (I_F)

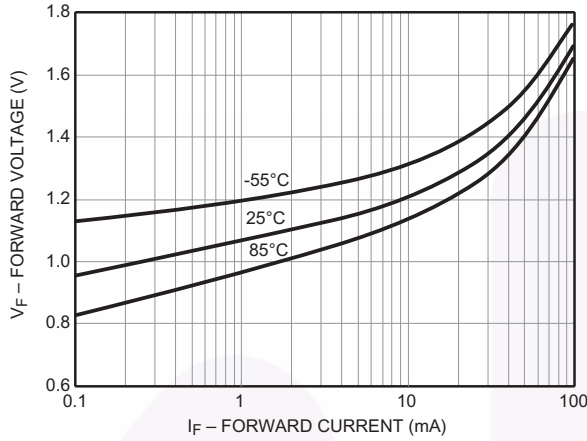


Figure 3. Normalized LED Trigger Current (I_{FT}) vs. Ambient Temperature (T_A)

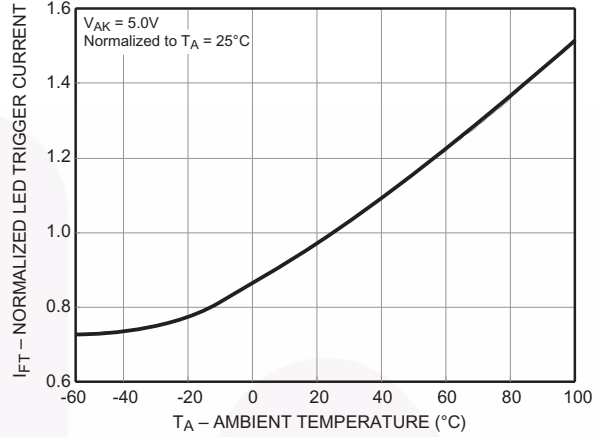


Figure 4. Peak LED Current vs. Duty Factor, Tau

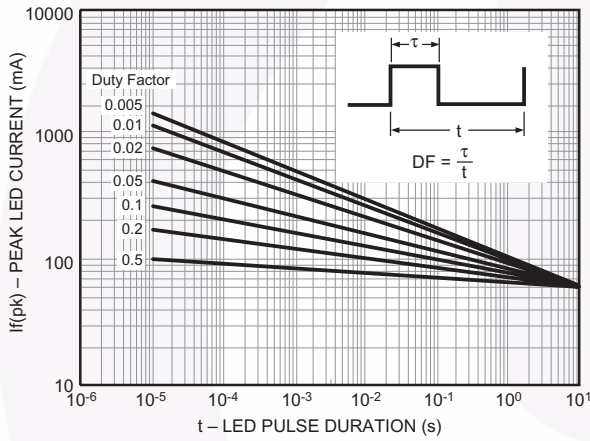


Figure 5. Trigger Delay Time

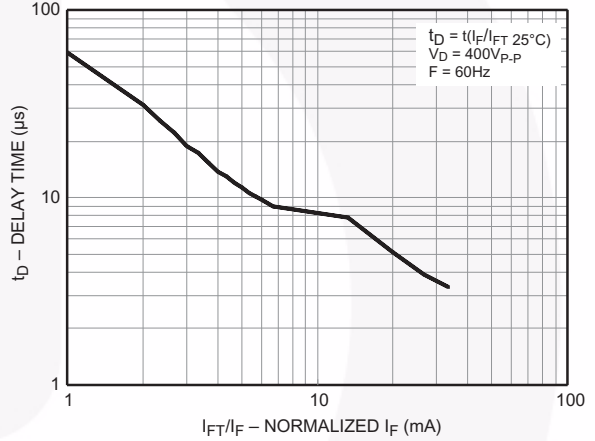


Figure 6. Pulse Trigger Current

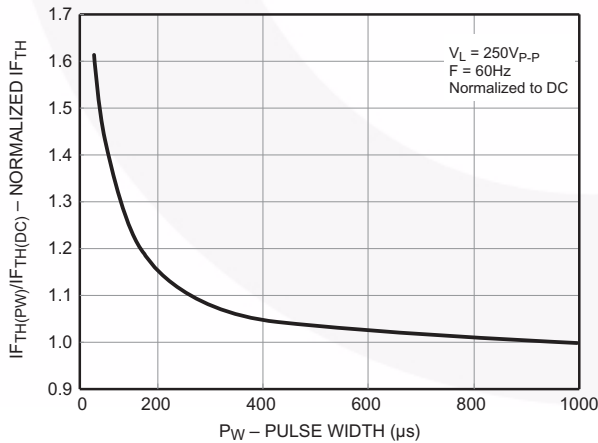
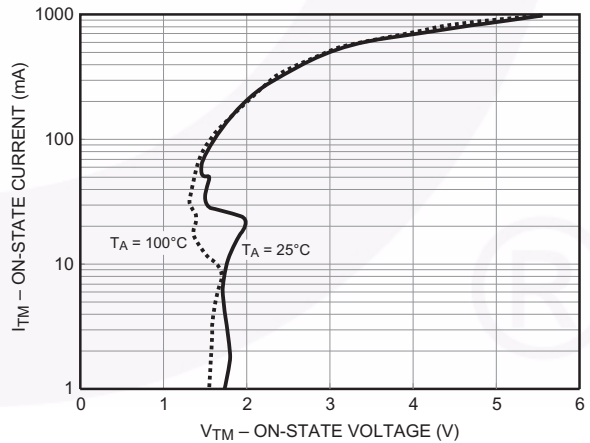


Figure 7. On-State Voltage (V_{TM}) vs. On-State Current (I_{TM})



Typical Performance Curves (Continued)

Figure 8. Normalized Holding Current (I_H) vs. Ambient Temperature (T_A)

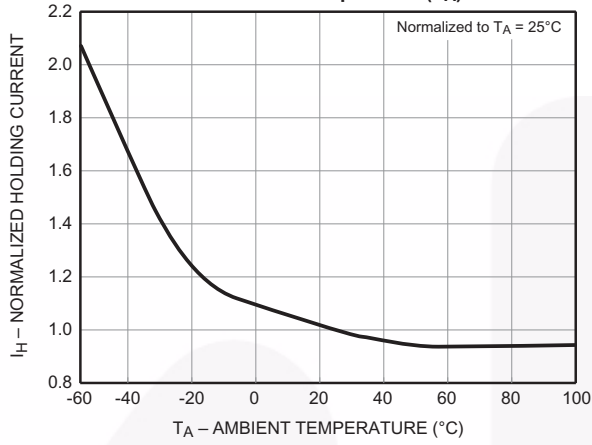


Figure 9. Normalized Off-State Current (I_{DRM}) vs. Ambient Temperature (T_A)

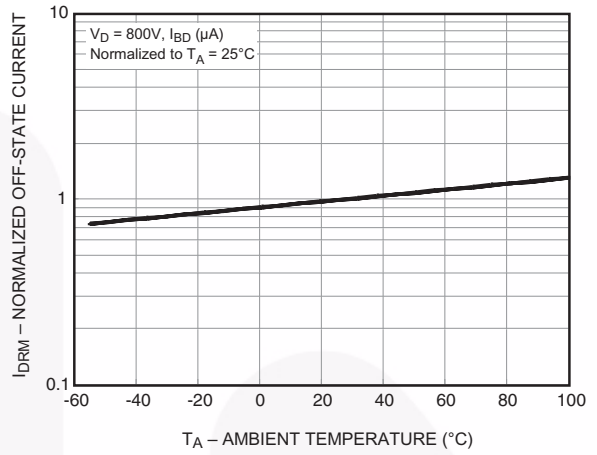
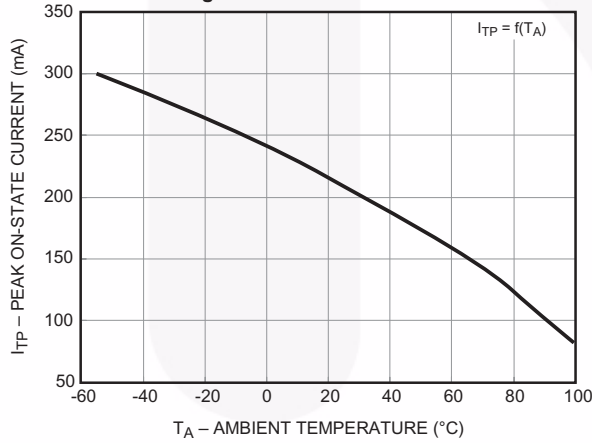
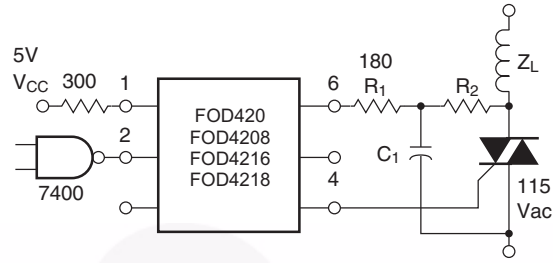


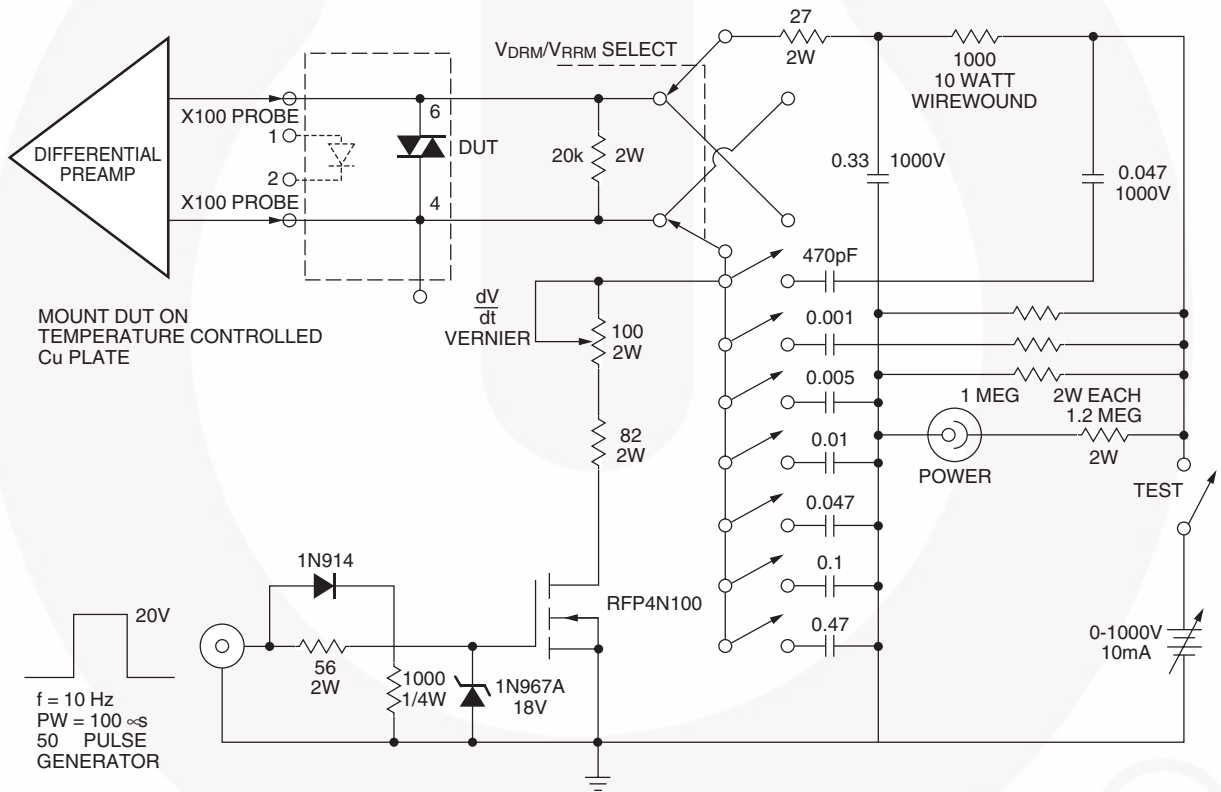
Figure 10. Current Reduction





NOTE: Circuit supplies 25mA drive to gate of triac at $V_{in} = 25V$ and $T_A < 70^\circ C$

TRIAC		
I_{GT}	R_2	C
15 mA	2400	0.1
30 mA	1200	0.2
50 mA	800	0.3



ALL COMPONENTS ARE NON-INDUCTIVE UNLESS SHOWN

Figure 11. Circuit for Static $\frac{dv}{dt}$ Measurement of Power Thyristors

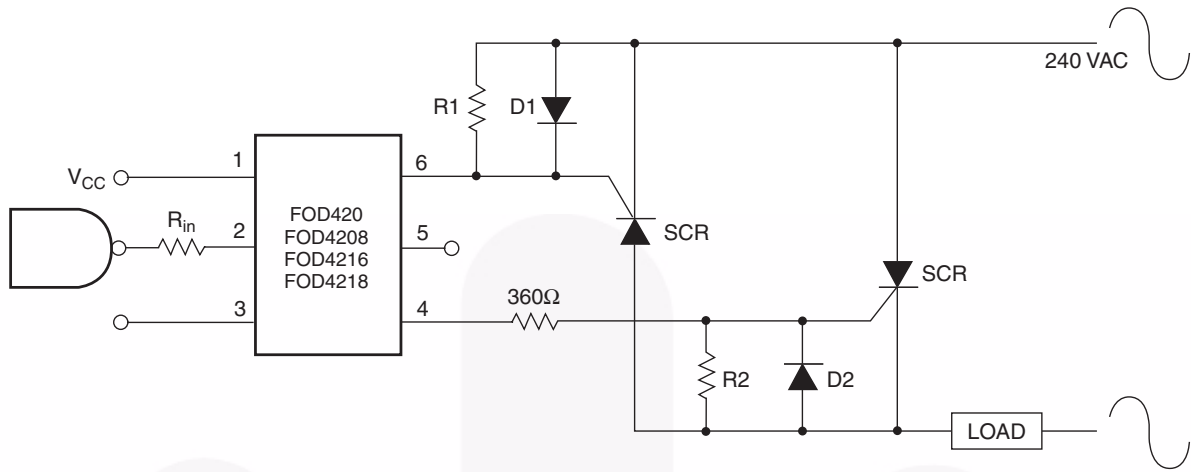


Figure 12. Inverse-Parallel SCR Driver Circuit

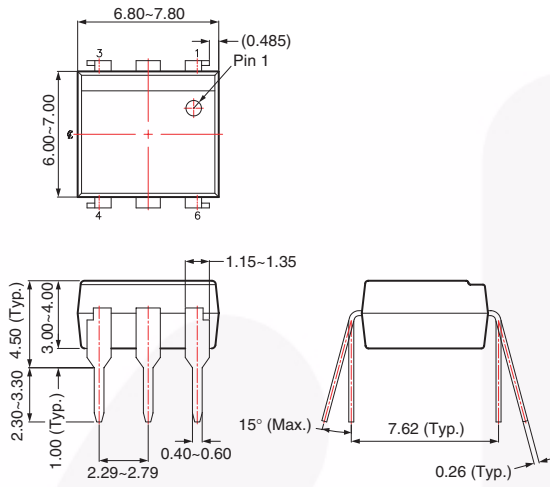
Suggested method of firing two, back-to-back SCR's with a Fairchild triac driver. Diodes can be 1N4001; resistors, R1 and R2, are optional 330Ω.

Note: This optoisolator should not be used to drive a load directly. It is intended to be a discrete triac driver device only.

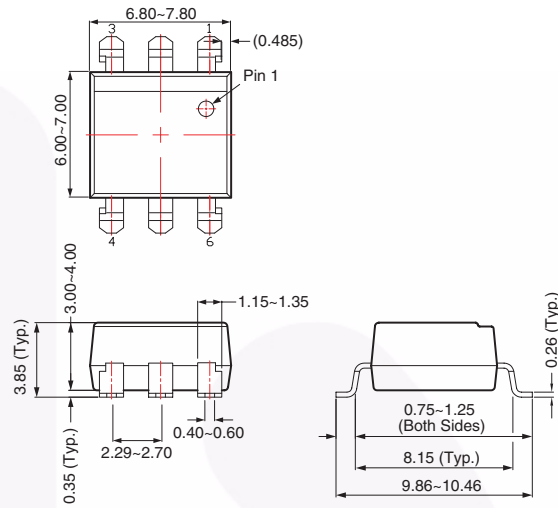


Package Dimensions

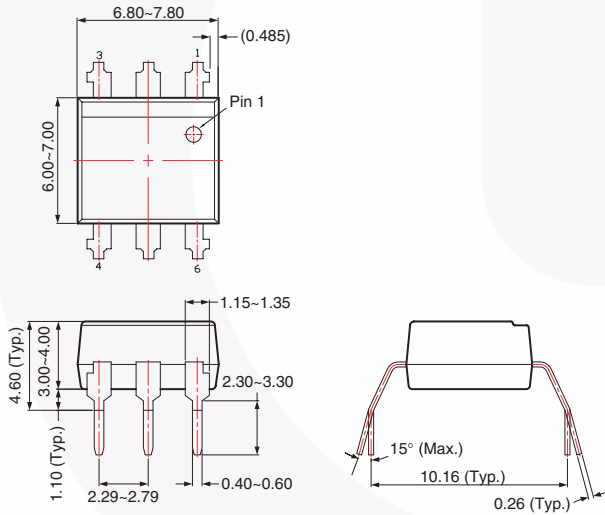
Through Hole



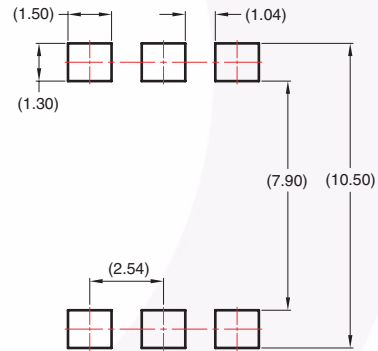
Surface Mount



0.4" Lead Spacing



Recommended Pad Layout for Surface Mount Leadforms



Note:

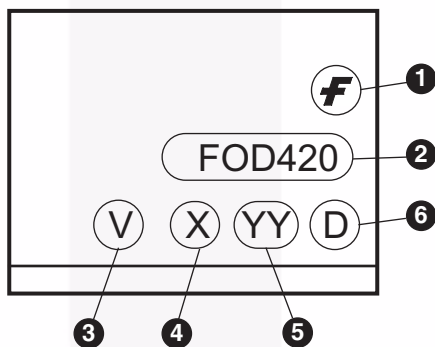
All dimensions are in millimeters.



Ordering Information

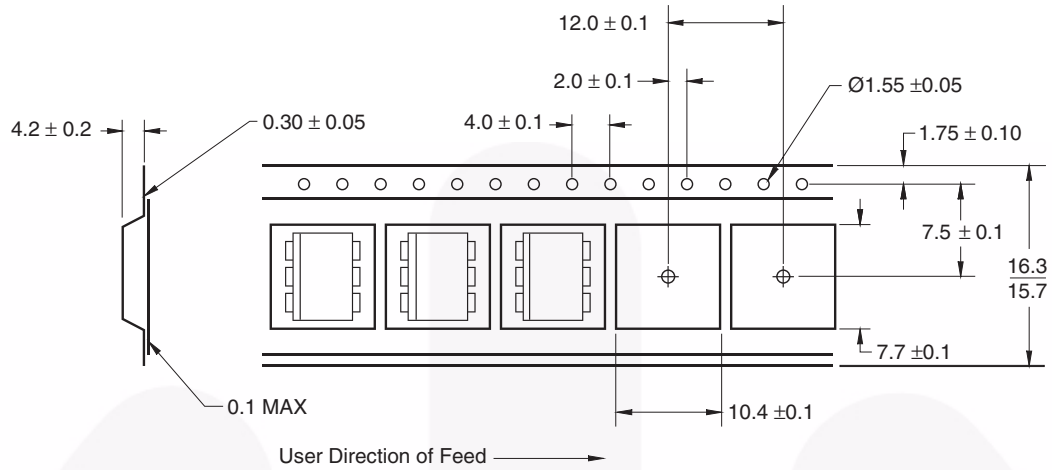
Option	Order Entry Identifier (example)	Description
None	FOD420	Standard Through Hole Device
S	FOD420S	Surface Mount Lead Bend
SD	FOD420SD	Surface Mount; Tape and reel
T	FOD420T	0.4" Lead Spacing
V	FOD420V	IEC60747-5-2 certification
TV	FOD420TV	IEC60747-5-2 certification, 0.4" Lead Spacing
SV	FOD420SV	IEC60747-5-2 certification, Surface Mount
SDV	FOD420SDV	IEC60747-5-2 certification, Surface Mount, Tape & Reel

Marking Information



Definitions	
1	Fairchild logo
2	Device number
3	VDE mark indicates IEC60747-5-2 certified (Note: Only appears on parts ordered with VDE option – See order entry table)
4	One digit year code, e.g., '7'
5	Two digit work week ranging from '01' to '53'
6	Assembly package code

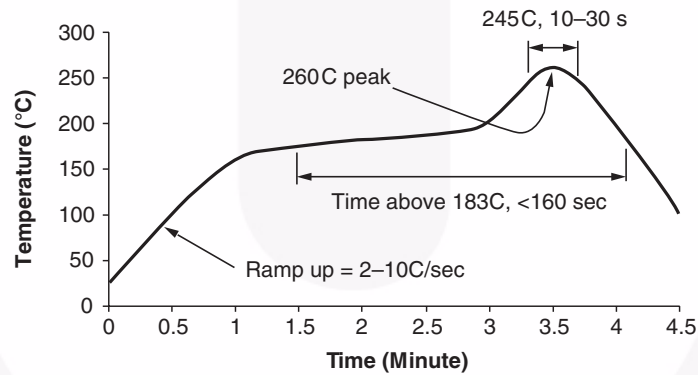
Carrier Tape Specifications



Note:

All dimensions are in inches (millimeters).

Reflow Profile






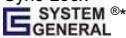


- Peak reflow temperature: 260C (package surface temperature)
- Time of temperature higher than 183C for 160 seconds or less
- One time soldering reflow is recommended



TRADEMARKS

The following includes registered and unregistered trademarks and service marks, owned by Fairchild Semiconductor and/or its global subsidiaries, and is not intended to be an exhaustive list of all such trademarks.

- | | | | |
|--|---|--|---|
| Auto-SPM™ | F-PFS™ | PowerTrench® | The Power Franchise® |
| Build it Now™ | FRFET® | PowerXS™ | the power ™ |
| CorePLUS™ | Global Power Resource SM | Programmable Active Droop™ | franchise |
| CorePOWER™ | Green FPS™ | QFET® | TinyBoost™ |
| CROSSVOL7™ | Green FPS™ e-Series™ | QS™ | TinyBuck™ |
| CTL™ | Gmax™ | Quiet Series™ | TinyLogic® |
| Current Transfer Logic™ | GTO™ | RapidConfigure™ | TINYOPTO™ |
| EcoSPARK® | IntelliMAX™ |  ™ | TinyPower™ |
| EfficientMax™ | ISOPLANAR™ | Saving our world, 1mW/W/kW at a time™ | TinyPWM™ |
| EZSWITCH™* | MegaBuck™ | SmartMax™ | TinyWire™ |
|  ™* | MICROCOUPLER™ | SMART START™ | TriFault Detect™ |
|  ™ | MicroFET™ | SPM® | TRUECURRENT™* |
| Fairchild® | MicroPak™ | STEALTH™ | SerDes™ |
| Fairchild Semiconductor® | MillerDrive™ | SuperFET™ |  ™ |
| FACT Quiet Series™ | MotionMax™ | SuperSOT™-3 | UHC® |
| FACT® | Motion-SPM™ | SuperSOT™-6 | Ultra FRFET™ |
| FAST® | OPTOLOGIC® | SuperSOT™-8 | UniFET™ |
| FAST® | OPTOPLANAR® | SupreMOS™ | VCX™ |
| FastvCore™ |  ™ | SyncFET™ | VisualMax™ |
| FETBench™ | PDP SPM™ | Sync-Lock™ | XS™ |
| FlashWriter®* | Power-SPM™ |  ™* | |
| FPS™ | | | |

* Trademarks of System General Corporation, used under license by Fairchild Semiconductor.

DISCLAIMER

FAIRCHILD SEMICONDUCTOR RESERVES THE RIGHT TO MAKE CHANGES WITHOUT FURTHER NOTICE TO ANY PRODUCTS HEREIN TO IMPROVE RELIABILITY, FUNCTION, OR DESIGN. FAIRCHILD DOES NOT ASSUME ANY LIABILITY ARISING OUT OF THE APPLICATION OR USE OF ANY PRODUCT OR CIRCUIT DESCRIBED HEREIN; NEITHER DOES IT CONVEY ANY LICENSE UNDER ITS PATENT RIGHTS, NOR THE RIGHTS OF OTHERS. THESE SPECIFICATIONS DO NOT EXPAND THE TERMS OF FAIRCHILD'S WORLDWIDE TERMS AND CONDITIONS, SPECIFICALLY THE WARRANTY THEREIN, WHICH COVERS THESE PRODUCTS.

LIFE SUPPORT POLICY

FAIRCHILD'S PRODUCTS ARE NOT AUTHORIZED FOR USE AS CRITICAL COMPONENTS IN LIFE SUPPORT DEVICES OR SYSTEMS WITHOUT THE EXPRESS WRITTEN APPROVAL OF FAIRCHILD SEMICONDUCTOR CORPORATION.

As used herein:

1. Life support devices or systems are devices or systems which, (a) are intended for surgical implant into the body or (b) support or sustain life, and (c) whose failure to perform when properly used in accordance with instructions for use provided in the labeling, can be reasonably expected to result in a significant injury of the user.
2. A critical component in any component of a life support, device, or system whose failure to perform can be reasonably expected to cause the failure of the life support device or system, or to affect its safety or effectiveness.

ANTI-COUNTERFEITING POLICY

Fairchild Semiconductor Corporation's Anti-Counterfeiting Policy. Fairchild's Anti-Counterfeiting Policy is also stated on our external website, www.fairchildsemi.com, under Sales Support.

Counterfeiting of semiconductor parts is a growing problem in the industry. All manufacturers of semiconductor products are experiencing counterfeiting of their parts. Customers who inadvertently purchase counterfeit parts experience many problems such as loss of brand reputation, substandard performance, failed applications, and increased cost of production and manufacturing delays. Fairchild is taking strong measures to protect ourselves and our customers from the proliferation of counterfeit parts. Fairchild strongly encourages customers to purchase Fairchild parts either directly from Fairchild or from Authorized Fairchild Distributors who are listed by country on our web page cited above. Products customers buy either from Fairchild directly or from Authorized Fairchild Distributors are genuine parts, have full traceability, meet Fairchild's quality standards for handling and storage and provide access to Fairchild's full range of up-to-date technical and product information. Fairchild and our Authorized Distributors will stand behind all warranties and will appropriately address any warranty issues that may arise. Fairchild will not provide any warranty coverage or other assistance for parts bought from Unauthorized Sources. Fairchild is committed to combat this global problem and encourage our customers to do their part in stopping this practice by buying direct or from authorized distributors.

PRODUCT STATUS DEFINITIONS

Definition of Terms

Datasheet Identification	Product Status	Definition
Advance Information	Formative / In Design	Datasheet contains the design specifications for product development. Specifications may change in any manner without notice.
Preliminary	First Production	Datasheet contains preliminary data; supplementary data will be published at a later date. Fairchild Semiconductor reserves the right to make changes at any time without notice to improve design.
No Identification Needed	Full Production	Datasheet contains final specifications. Fairchild Semiconductor reserves the right to make changes at any time without notice to improve the design.
Obsolete	Not In Production	Datasheet contains specifications on a product that is discontinued by Fairchild Semiconductor. The datasheet is for reference information only.

Rev. 140