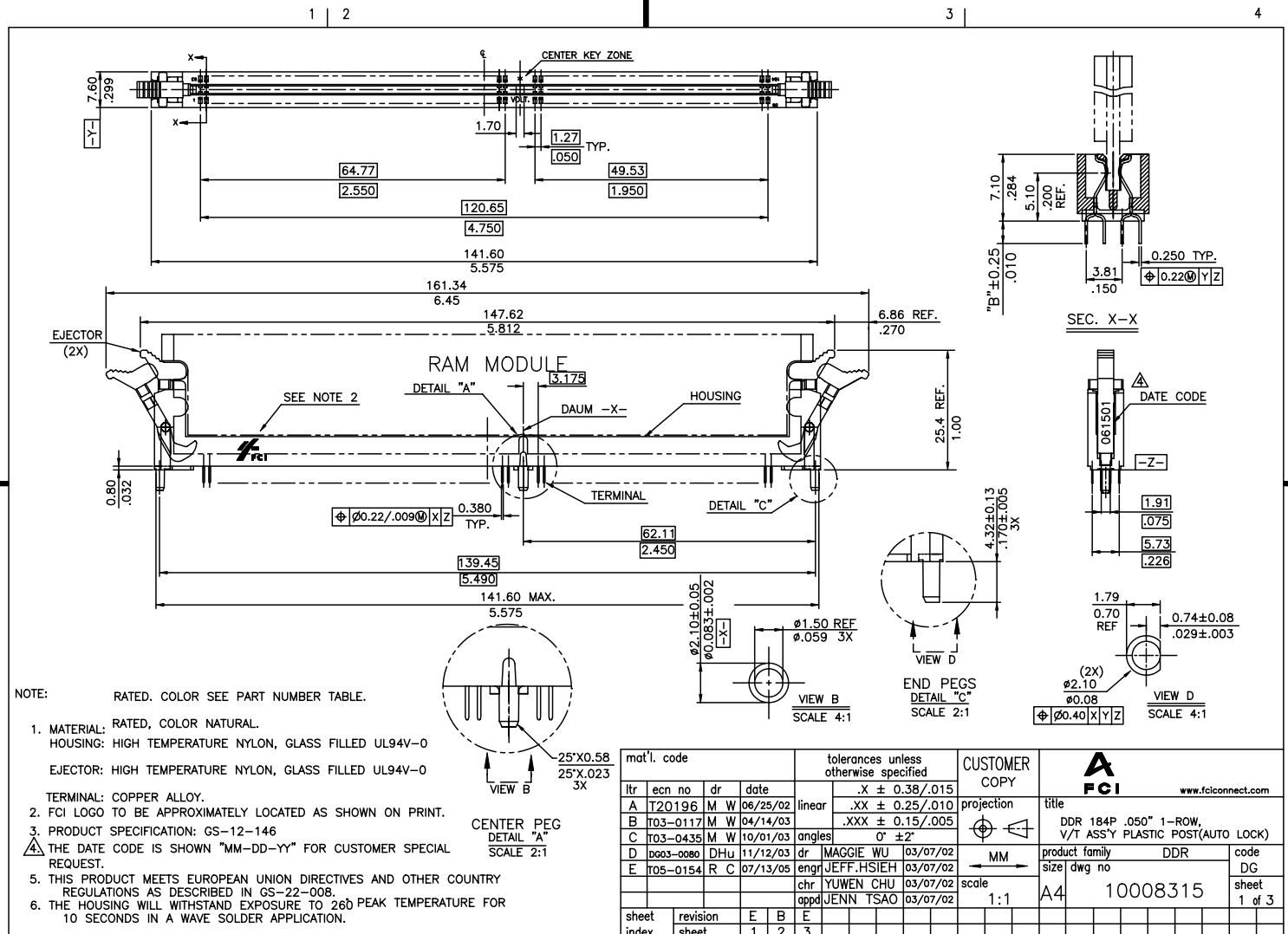


All rights strictly reserved. Reproduction or issue to third parties in any form whatever is not permitted without written authority from the proprietor. Property of FCI. Copyright FCI.

Tous droits strictement réservés. Reproduction ou communication à des tiers interdite sous quelque forme que ce soit sans autorisation écrite du propriétaire. Propriété de c FCI. Droits de reproduction FCI.



NOTE: RATED. COLOR SEE PART NUMBER TABLE.

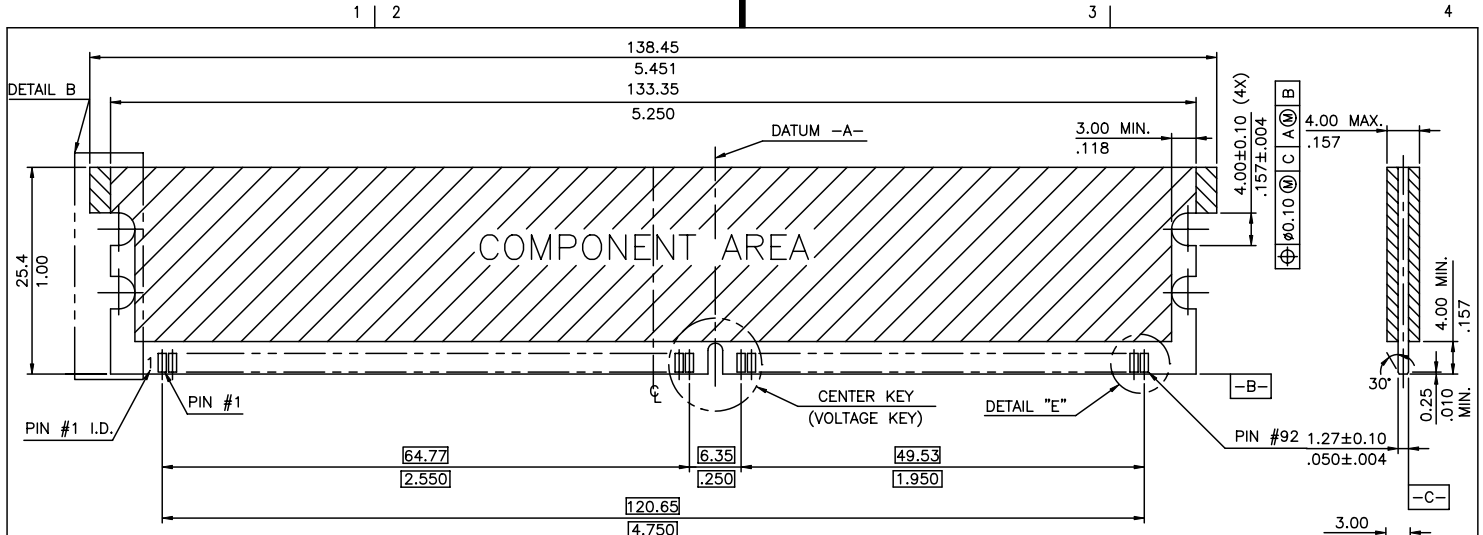
- MATERIAL: RATED, COLOR NATURAL.
HOUSING: HIGH TEMPERATURE NYLON, GLASS FILLED UL94V-0
EJECTOR: HIGH TEMPERATURE NYLON, GLASS FILLED UL94V-0
TERMINAL: COPPER ALLOY.
- FCI LOGO TO BE APPROXIMATELY LOCATED AS SHOWN ON PRINT.
- PRODUCT SPECIFICATION: GS-12-146
THE DATE CODE IS SHOWN "MM-DD-YY" FOR CUSTOMER SPECIAL REQUEST.
- THIS PRODUCT MEETS EUROPEAN UNION DIRECTIVES AND OTHER COUNTRY REGULATIONS AS DESCRIBED IN GS-22-008.
- THE HOUSING WILL WITHSTAND EXPOSURE TO 260 PEAK TEMPERATURE FOR 10 SECONDS IN A WAVE SOLDER APPLICATION.

mat'l. code				tolerances unless otherwise specified		CUSTOMER COPY	FCI
ltr	ecn no	dr	date	linear	.X ± 0.38/.015	projection	www.fciconnect.com
A	T20196	M W	06/25/02		.XX ± 0.25/.010	title	
B	T03-0117	M W	04/14/03		.XXX ± 0.15/.005	DDR 184P .050" 1-ROW, V/T ASS'Y PLASTIC POST(AUTO LOCK)	
C	T03-0435	M W	10/01/03	angles	0° ± 2°	product family	code
D	p003-0080	DHu	11/12/03	dr	MAGGIE WU 03/07/02	size	DDR
E	T05-0154	R C	07/13/05	enr	JEFF.HSIEH 03/07/02	dwg no	DC
				chr	YUWEN CHU 03/07/02	scale	sheet
				appd	JENN TSAO 03/07/02	1:1	1 of 3
sheet index	revision sheet	E	B	E			
		1	2	3			

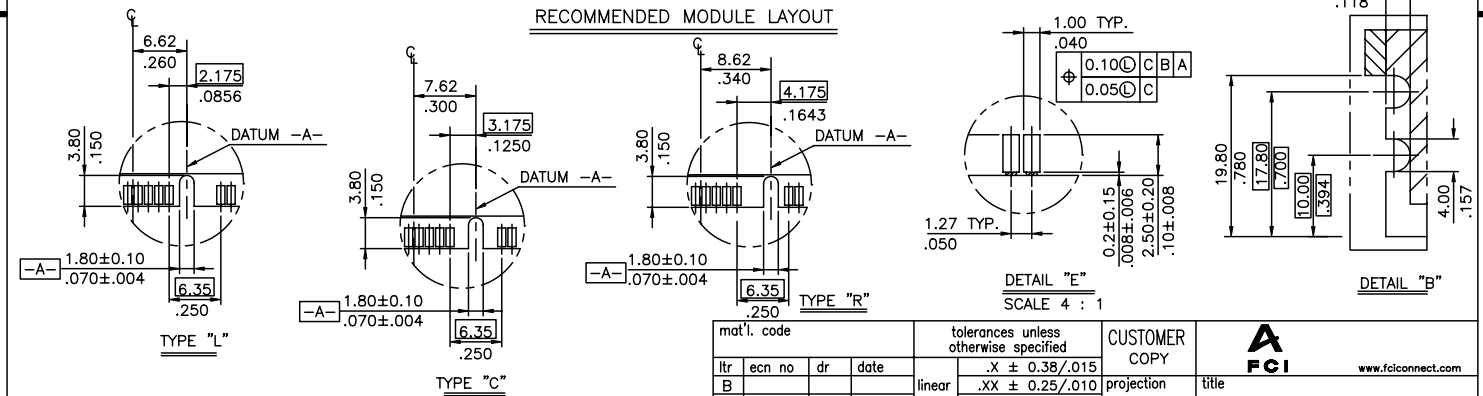
ACAD PDM: Rev:E STATUS: Released cage code 22526 Printed on Jan 23, 2010

Tous droits strictement réservés. Reproduction ou communication à des tiers interdite sous quelque forme que ce soit sans autorisation écrite du propriétaire. Propriété de c FCI. Droits de reproduction FCI.

All rights strictly reserved. Reproduction or issue to third parties in any form whatever is not permitted without written authority from the proprietor. Property of FCI. Copyright FCI.



RECOMMENDED MODULE LAYOUT

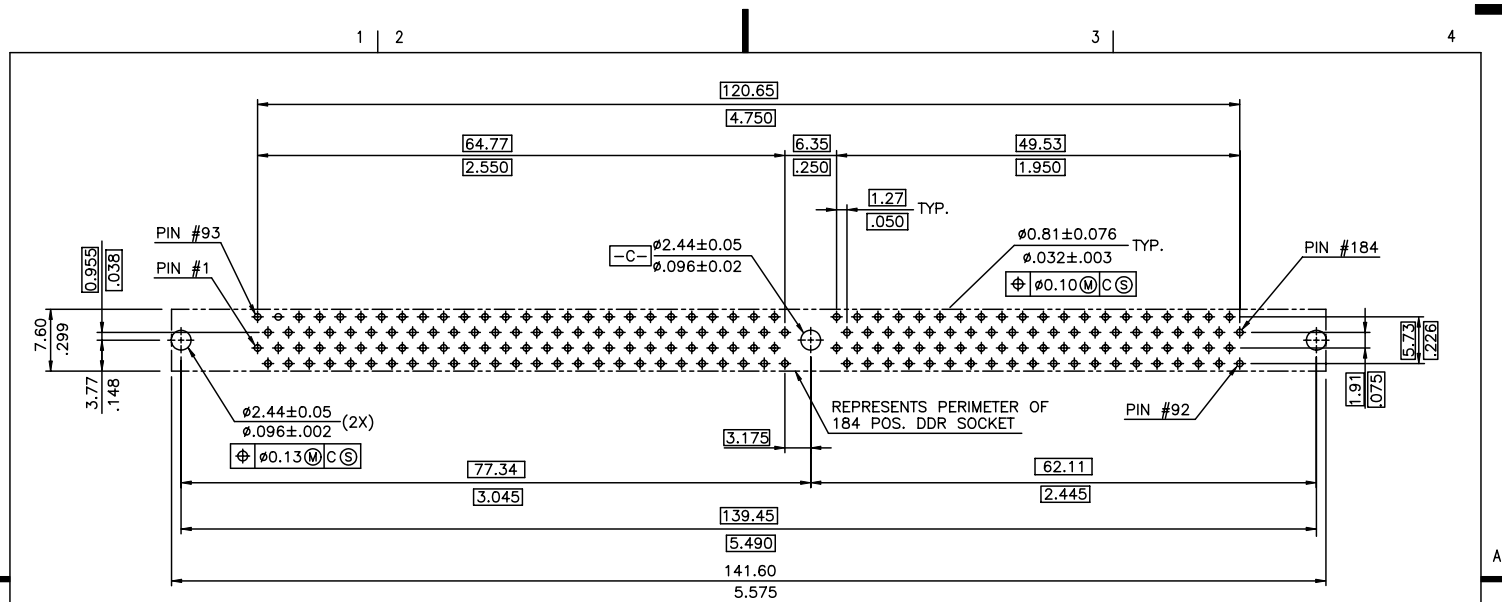


TYPE "R"	3.3 VOLT.
TYPE "L"	2.5 VOLT.
TYPE "C"	1.8 VOLT.
CENTER KEY	DESCRIPTION

mat'l. code		tolerances unless otherwise specified		CUSTOMER COPY		FCI www.fciconnect.com	
ltr	ecn no	dr	date	linear	.X ± 0.38/.015	projection	title
B					.XXX ± 0.25/.010	MM	DDR 184P .050" 1-ROW, V/T ASS'Y PLASTIC POST(AUTO LOCK)
				angles	0° ± 2'	scale	product family
				dr	MAGGIE WU 03/07/02	1.5:1	size
				enrg	JEFF.HSIEH 03/07/02	A4	10008315
				chr	YUWEN CHU 03/07/02		code
				appd	JENN TSAO 03/07/02		DC
sheet index	revision sheet						sheet 2 of

Tous droits strictement réservés. Reproduction ou communication a des tiers interdite sous quelque forme que ce soit sans autorisation écrite du propriétaire. Propriété de c FCI. Droits de reproduction FCI.

All rights strictly reserved. Reproduction or issue to third parties in any form whatever is not permitted without written authority from the proprietor. Property of FCI. Copyright FCI.



DDR ASSEMBLY PART NUMBER
10008315 - □ □ □ □

RECOMMENDED CIRCUIT BOARD HOLE LAYOUT

STYLE

1 : FOR 3.3 VOLT.
2 : FOR 2.5 VOLT.
3 : FOR 1.8 VOLT.

RESERVED

0

TAIL LENGTH

CODE	DIM. "B"	TOLERANCE
1	2.29 .090	±0.25 ±.01
2	2.79 .110	±0.25 ±.01
3	2.67 .105	±0.25 ±.01
4	3.05 .120	±0.25 ±.01

PLATING

CODE	CONTACT	SOLDERTAIL	UNDERPLATE	CODE	CONTACT	SOLDERTAIL	UNDERPLATE
2	15μ*(0.38μm) MIN. GOLD	100μ*(2.54μm) MIN. TIN/LEAD	50μ*(1.27μm) MIN. NICKEL OVERALL	7LF	15μ*(0.38μm) MIN. GOLD	100μ*(2.54μm) MIN. 100% TIN	50μ*(1.27μm) MIN. NICKEL OVERALL
3	30μ*(0.76μm) MIN. GOLD			8LF	30μ*(0.76μm) MIN. GOLD		
4	GOLD FLASH			9LF	GOLD FLASH		

COLOR OF HOUSING AND EJECTOR

- 0 : BLACK HOUSING + IVORY EJECTOR
- 2 : BLUE HOUSING + IVORY EJECTOR
- 3 : RED HOUSING + IVORY EJECTOR
- 4 : IVORY HOUSING + IVORY EJECTOR

mat'l. code				tolerances unless otherwise specified		CUSTOMER COPY		 www.fciconnect.com	
ltr	ecn no	dr	date	linear	.X ± 0.38/.015	projection	 title DDR 184P .050" 1-ROW, V/T ASS'Y PLASTIC POST(AUTO LOCK)	product family	code
E				angles	.XXX ± 0.15/.005	 MM scale 1.5:1		DDR	DC
				dr	MAGGIE WU 03/07/02		size	dwg no	sheet
				engr	JEFF.HSIEH 03/07/02		A4	10008315	3 of
				chr	YUWEN CHU 03/07/02				
				appd	JENN TSAO 03/07/02				
sheet index	revision								
sheet									

1 | 2

ACAD

PDM: Rev:E

STATUS: Released

22526
Printed on Jan 23, 2010

B