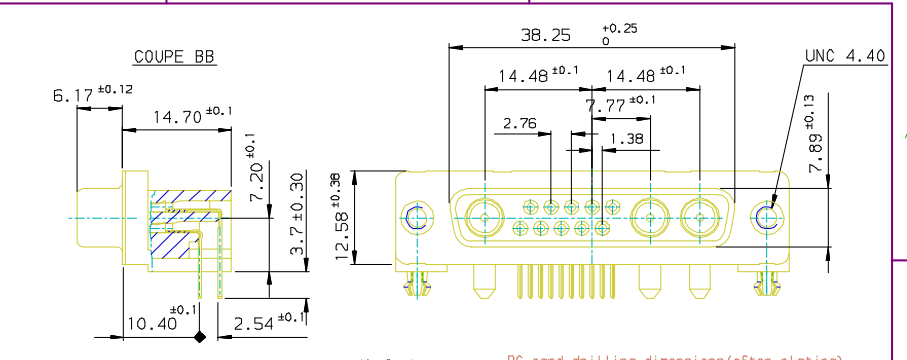
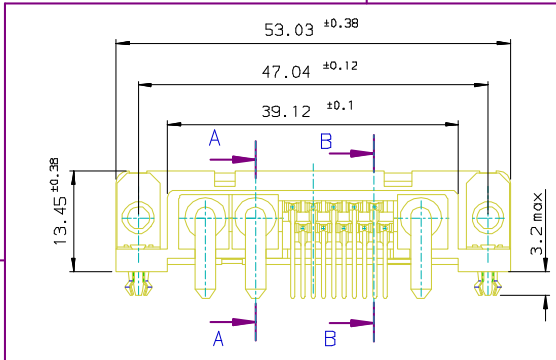
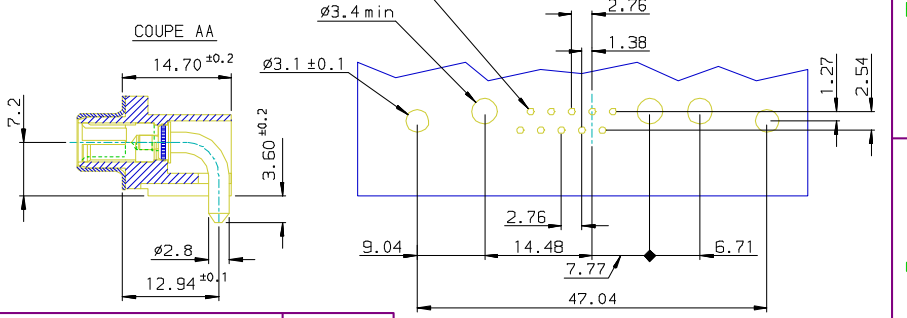
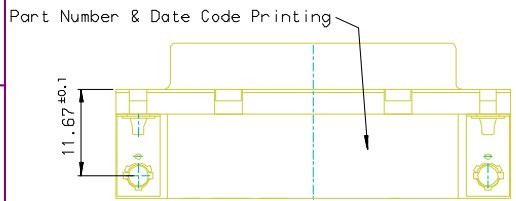




Copyright FCI



FOR ROHS DETAILS REFER DWG.NO:C01-8646-0000



**CHARACTERISTICS:**

- Max current powers contacts : 40A per standard contact
- Max current ratings: 7.5A per standard contact
- Dielectric withstanding voltage: 1000V minimum
- Insulation resistance: ≥5000Ma
- Contact resistance: ≤10ma
- Mating and unmating Forces: conform to MILC24308
- Material of -insulator: black polyester class UL 94 V-0
- shell: Steel
- contact: brass for power phosphor bronze for standard phosphor bronze
- harpoons
- metal plate: brass
- threaded inserts: brass
- Plating of -shell and accessories: tin/Zinc Cr3
- contact: Ni 0.8µmini + Au0.4µmini
- mating area: Ni 0.8µmini + Sn Pb 2µmini
- termination area:
- Temperature range: -55°C,+125°C
- harpoon for PC board thickness from 1.6mm to 1.8mm

D13W3S17B5GX3C**	40 A
PART NUMBER	POWER type

LF FOR LEAD FREE

www.fciconnect.com		surface 150 1302 ✓	tolerance std 150 406 150 1101	projection	mm
Dr JOHN SLEEBA 1997/05/15		TOLERANCES UNLESS OTHERWISE SPECIFIED		size A3 Scale 1:1	
Rev B 105-0124 JS 2005/07/27	Eng GEORGE VJ 1997/05/15	ANGULAR	LINEAR	±0.1	ECN -
Rev C 106-0074 SK 2006/06/08	Chr GEORGE VJ 2005/07/27	±0.1	±0.1	±0.1	Spec ref -
Appr KVSD 2005/07/27	Product family DELTA-D	D-SUB			
FCI logo		Title FEMALE CONNECTOR 13W3 DELTA D with power contacts		dwg no C01-8646-0548	Rev. C
catalog no DELTA-D		CUSTOMER		sheet 1 of 1	

REV F - 2008-04-17