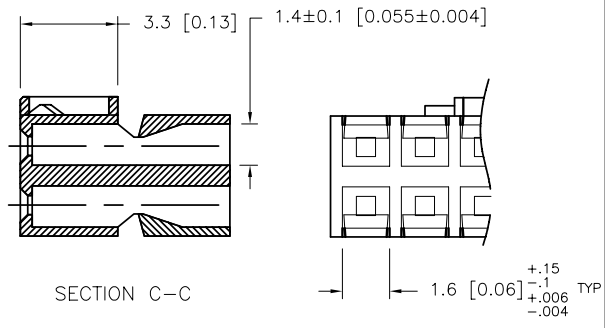
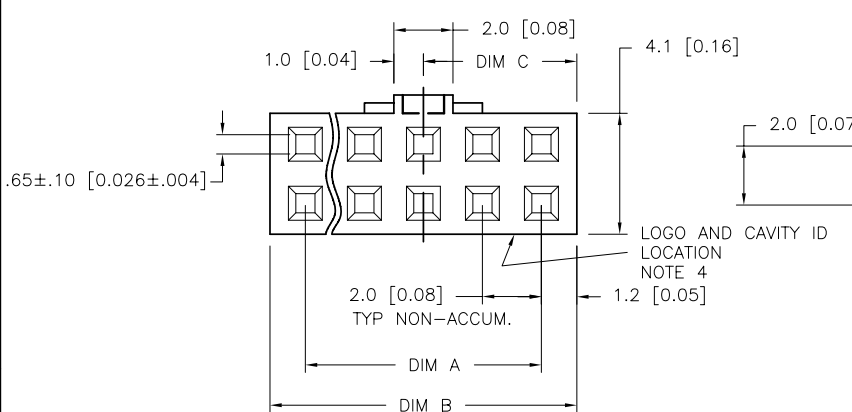
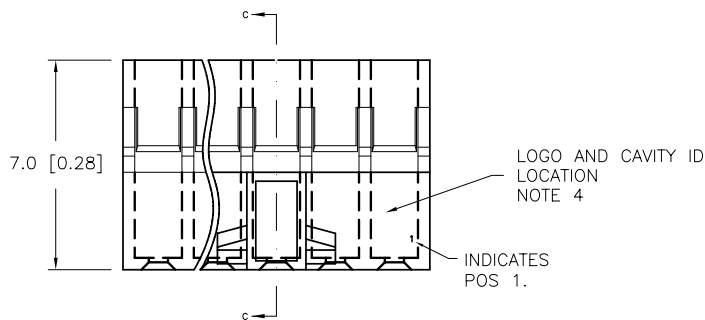
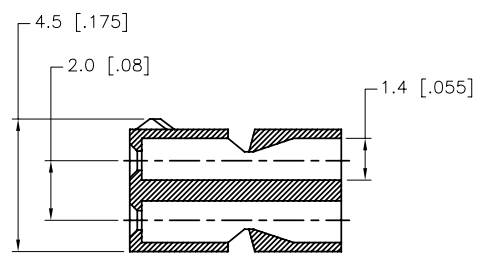
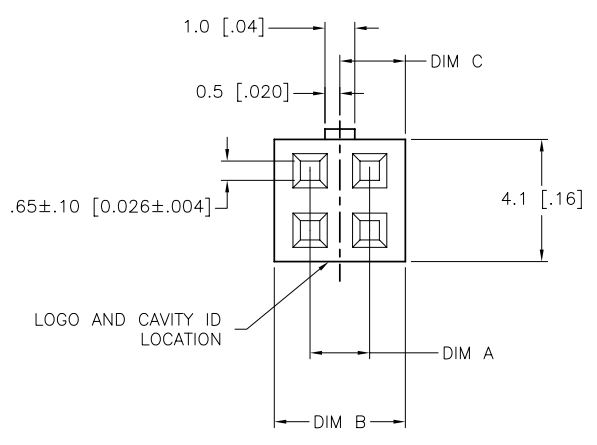
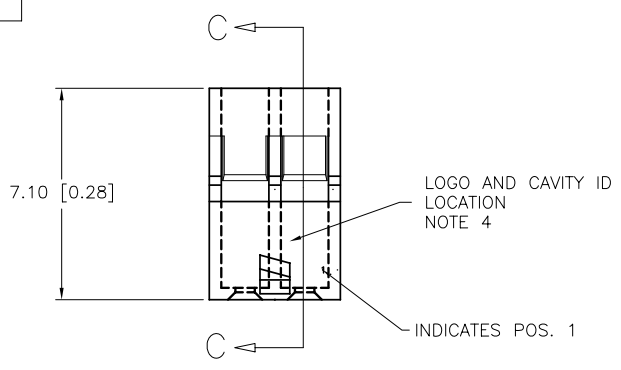


PRODUCT NO.
SEE TABLE



mat'l code	SEE NOTE 1	surface	tolerance	projection	product family
l/r	ec'n no	dr	date	tolerances unless otherwise specified	MINITEK HOUSINGS
R	v07-0266	HTB	2007-04-02	angles	title
-	-	-	-	linear	MINITEK CTW HSG. DBL ROW
K	v91487	EPK	1999-11-09	0°±2°	POLARIZATION & LATCHING
L	v01834	AZ	2000-07-28	linear	MM/INCH
M	v05-0189	VS	2005-02-24	linear	scale 5:1
N	v05-0733	DAI	2005-08-11	linear	FCJ
P	v06-0516	HTB	2006-06-05	linear	dwg no
sheet index	revision	R	R	R	90311
1	1	2	3		sheet 1 of 3
					size
					A3
					type
					Product Customer Drawing

PRODUCT NO.
 90311-004 — OBSOLETE
 90311-004LF
 SEE NOTE 2



mat'l code	SEE NOTE 1	surface	tolerance	projection	product family
tr	ecrn no	dr	date	MM/INCH	MINITEK HOUSINGS
R				scale 5:1	title
					MINITEK CTW HSG. DBL ROW
					POLARIZATION & LATCHING
					dwg no 90311 sheet 2 of 3 size A3
					type Product Customer Drawing
sheet index	revision sheet				

PRODUCT NUMBER	POS.	DIM A	DIM B	DIM C	LATCHING FEATURES
90311-004LF	2 x 2	2.0/.08	4.4/.17	2.2/.09	1 (SHEET 2)
90311-006LF	2 x 3	4.0/.16	6.4/.25	3.2/.13	2 (SHEET 1)
90311-008LF	2 x 4	6.0/.24	8.4/.33	4.2/.17	2 (SHEET 1)
90311-010LF	2 x 5	8.0/.32	10.4/.41	5.2/.21	2 (SHEET 1)
90311-012LF	2 x 6	10.0/.39	12.4/.49	6.2/.24	2 (SHEET 1)
90311-014LF	2 x 7	12.0/.47	14.4/.57	7.2/.28	2 (SHEET 1)
90311-016LF	2 x 8	14.0/.55	16.4/.65	8.2/.32	2 (SHEET 1)
90311-018LF	2 x 9	16.0/.63	18.4/.72	9.2/.36	2 (SHEET 1)
90311-020LF	2 x 10	18.0/.71	20.4/.80	10.2/.40	2 (SHEET 1)
90311-022LF	2 x 11	20.0/.79	22.4/.88	11.2/.44	2 (SHEET 1)
90311-024LF	2 x 12	22.0/.87	24.4/.96	12.2/.48	2 (SHEET 1)
90311-026LF	2 x 13	24.0/.95	26.4/1.04	13.2/.52	2 (SHEET 1)
90311-028LF	2 x 14	26.0/1.02	28.4/1.12	14.2/.56	2 (SHEET 1)
90311-030LF	2 x 15	28.0/1.10	30.4/1.20	15.2/.60	2 (SHEET 1)
90311-032LF	2 x 16	30.0/1.18	32.4/1.28	16.2/.64	2 (SHEET 1)
90311-034LF	2 x 17	32.0/1.26	34.4/1.35	17.2/.68	2 (SHEET 1)
90311-036LF	2 x 18	34.0/1.34	36.4/1.43	18.2/.72	2 (SHEET 1)
90311-038LF	2 x 19	36.0/1.42	38.4/1.51	19.2/.76	2 (SHEET 1)
90311-040LF	2 x 20	38.0/1.50	40.4/1.59	20.2/.80	2 (SHEET 1)
90311-042LF	2 x 21	40.0/1.58	42.4/1.67	21.2/.83	2 (SHEET 1)
90311-044LF	2 x 22	42.0/1.65	44.4/1.75	22.2/.87	2 (SHEET 1)
90311-046LF	2 x 23	44.0/1.73	46.4/1.83	23.2/.91	2 (SHEET 1)
90311-048LF	2 x 24	46.0/1.81	48.4/1.91	24.2/.95	2 (SHEET 1)
90311-050LF	2 x 25	48.0/1.89	50.4/1.98	25.2/.99	2 (SHEET 1)

- NOTE
- MATERIAL: UNFILLED FLAME RETARDANT NYLON, FLAME RETARDANT PER UL94V-0, COLOR: BLACK
 - SHEET 2 SHOWS THE SINGULAR LATCHING FEATURE CONFINED TO THE 2 X 2.
 - FOR USE WITH MINITEK LATCHING HEADERS WHEN MATING AND UNMATING THE FORCES WILL BE APPROX. 2.2LBS/1Kg GREATER THAN THE FORCES DETAILED IN 110-036, PAR. 3.5.3.5
 - LOGO AND CAVITY ID LOCATION ARE TO BE DETERMINED BY MANUFACTURER.
 - PRODUCT MEETS EUROPEAN UNION DIRECTIVES AND OTHER COUNTRY REGULATIONS AS DESCRIBED IN GS-22-008.
 - THIS PRODUCT IS NOT INTENDED TO BE EXPOSED TO MANUFACTURING SOLDER PROCESSES.



Copyright FCI

mat'l. code	SEE NOTE 1	surface	tolerance	projection	product family
lir	ecrn no	dr	date	tolerances unless otherwise specified	MINITEK HOUSINGS
R				angles	title
				linear	MINITEK CTW HSG. DBL ROW
				0°±2"	POLARIZATION & LATCHING
				dr	dwg no
				engr	sheet 3 of 3
				chr	size
				appd	A3
sheet index	revision sheet			scale	type
				5:1	Product Customer Drawing