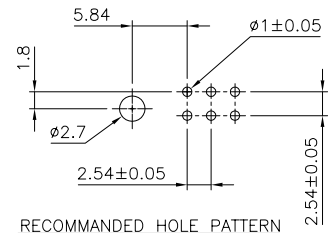
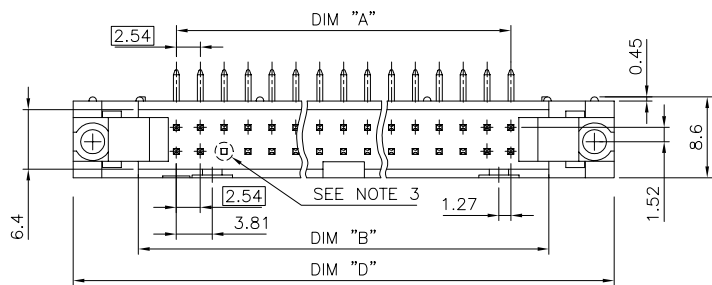
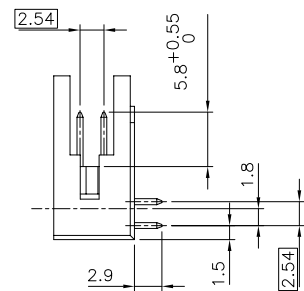
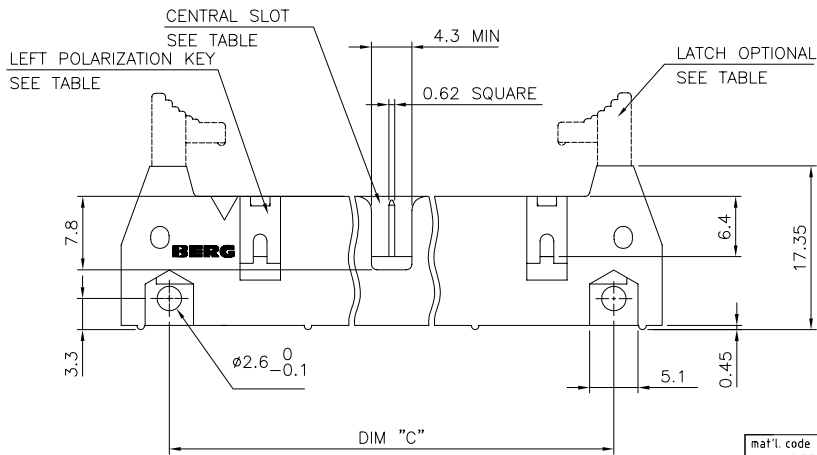


PRODUCT NUMBER	SIZE	DIM "A"	DIM "B"	DIM "C"	DIM "D"	CENTRAL SLOT	LEFT POL KEY
87631-134	2x17	40.64	48.71	58.42	62.48	YES	YES



**NOTES:**

- 1 - MATERIAL CONTACT: COPPER ALLOY.
- 2 - MATERIAL PLASTIC: POLYESTER 30% GLASSFILLED FLAME RETARDANT PER UL-94-V0, COLOR GREY.
- 3 - NO PIN ON POSITION N 5
- 4 - PRODUCTS PACKED IN TUBES.



0.76 μm GXT	3.81um SnPb MIN
CONTACT AREA	SOLDER TAIL AREA
PLATING THICKNESS OVER 1.27um Ni MIN	

mat'l. code			SEE NOTES		tolerances unless otherwise specified		CUSTOMER COPY		FCI ELECTRONICS	
ltr	ecn no	dr	date	linear	projection	title		www.fciconnect.com		
A	F10137	PCL	91.02.20			R.A. S.L. 0.76 μm GXT		product family		code
B	F50886	OMA	95.11.28	angles		QKIE HDR		size		213
				dr	J. MATHEVON	95.11.28	scale		sheet	
				engr	JM. PHAMVAN	95.11.28	2.5:1		1 of 1	
				chr	P. NIZZI	95.11.28				
				appd	JM. P	95.11.28				
sheet index	revision sheet									