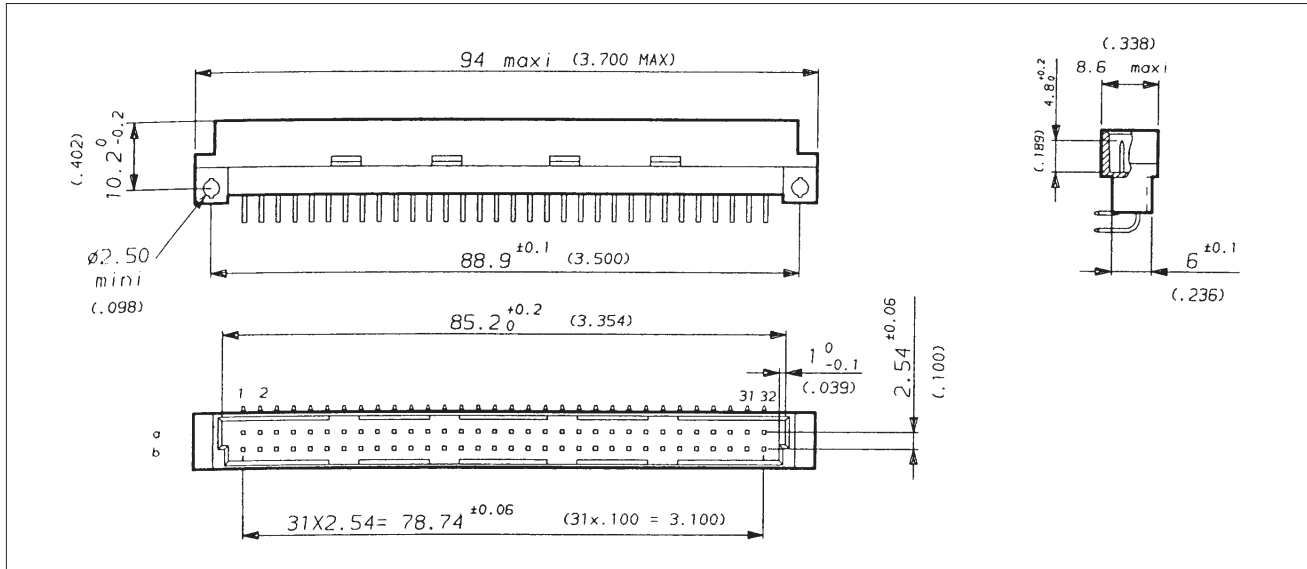




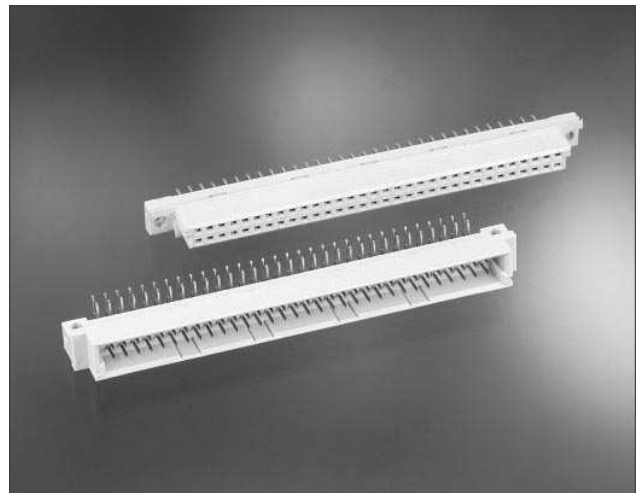
Standard male, 2 row

8609 series, style B



Catalogue numbers - standard items

Nbr of contacts	Contact arrang.	Contact termination
		<p>angled spillover PCB 1,6 (.063)</p>
64		8609.264.51.13.7x5.000.E1
32		8609.132.51.13.7x5.000.E1
32		8609.232.51.13.7x8.000.E1



Performance class / plating:

- DIN 41612 class III: replace x by 4 in part number.
- DIN 41612 class II: replace x by 5 in part number.
- DIN 41612 class I: replace x by 6 in part number.

Contact plating: selective gold over nickel on contact area, tin-lead on termination.

Options:

Special terminations and contact arrangements are available upon request: consult factory.

First make/last break: see page 53

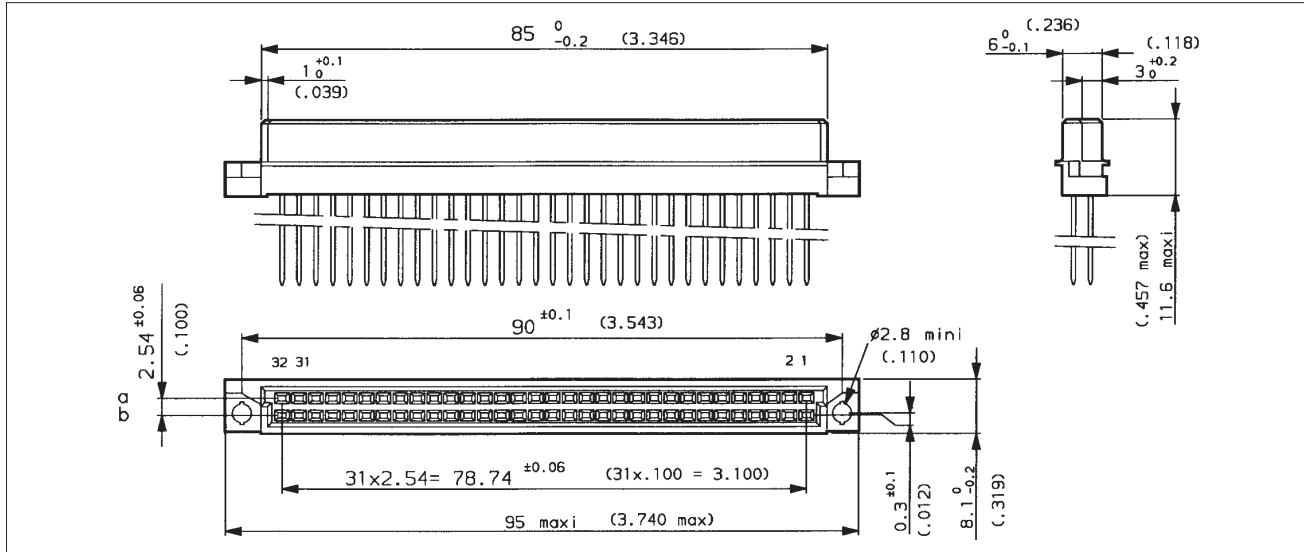
Harpoons: see page 54

Individual polarization: see page 55



Standard female, 2 row

8609 series, style B



Catalogue numbers - standard items

Nbr of contacts	Contact arrang.	Contact termination	Contact termination	Performance class / plating:
		<p>straight spills PCB 2,4/3,2 (.093/.125)</p>	<p>straight spills PCB 1,6 (.063)</p>	<ul style="list-style-type: none"> DIN 41612 class III: replace x by 4 in part number. DIN 41612 class II: replace x by 5 in part number. DIN 41612 class I: replace x by 6 in part number. <p>Contact plating: selective gold over nickel on contact area, tin-lead on termination.</p>
64		8609.264.61.14.7x5.000.E2	8609.264.61.24.7x5.000.E2	<p>Options: Special terminations and contact arrangements are available upon request: consult factory. Harpoons: see page 54 Individual polarization: see page 55</p>
32		8609.132.61.14.7x5.000.E2	8609.132.61.24.7x5.000.E2	
32		8609.232.61.14.7x8.000.E2	8609.232.61.24.7x8.000.E2	
		<p>w.w. 2 wraps</p>	<p>w.w. 3 wraps</p>	<p>handsolder</p>
64		8609.264.61.15.7x5.000.E2	8609.264.61.25.7x5.000.E2	8609.264.61.09.7x5.000.E1
32		8609.132.61.15.7x5.000.E2	8609.132.61.25.7x5.000.E2	8609.132.61.09.7x5.000.E1
32		8609.232.61.15.7x8.000.E2	8609.232.61.25.7x8.000.E2	8609.232.61.09.7x8.000.E1