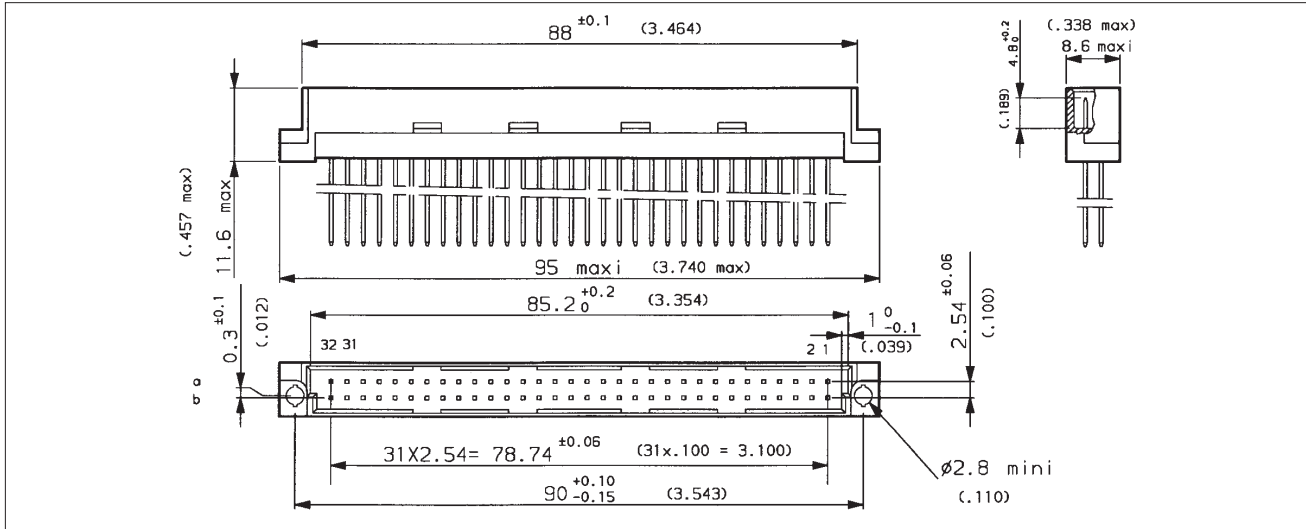




Reverse male, 2 row

8609 series, style Q



Catalogue numbers - standard items

Nbr of contacts	Contact arrang.	Contact termination	Contact termination
		<p>straight spills PCB 2,4/3,2 (.093/.125)</p>	<p>straight spills PCB 1,6 (.063)</p>
64		8609.264.58.14.7x5.000.E1	8609.264.58.24.7x5.000.E1
32		8609.132.58.14.7x5.000.E1	8609.132.58.24.7x5.000.E1
32		8609.232.58.14.7x8.000.E1	8609.232.58.24.7x8.000.E1
		<p>w.w. 2 wraps</p>	<p>w.w. 3 wraps</p>
64		8609.264.58.15.7x5.000.E1	8609.264.58.25.7x5.000.E1
32		8609.132.58.15.7x5.000.E1	8609.132.58.25.7x5.000.E1
32		8609.232.58.15.7x8.000.E1	8609.232.58.25.7x8.000.E1

Performance class / plating:

- DIN 41612 class III: replace x by 4 in part number.
- **DIN 41612 class II: replace x by 5 in part number.**
- DIN 41612 class I: replace x by 6 in part number.

Contact plating: selective gold over nickel on contact area, tin-lead on termination.

Options:

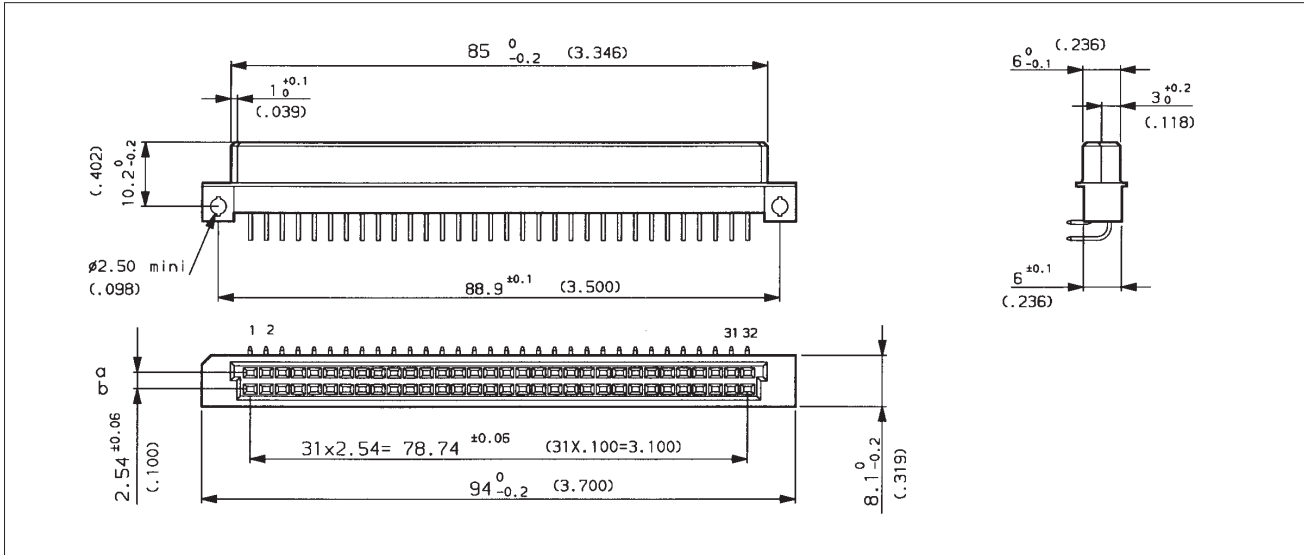
Special terminations and contact arrangements are available upon request: consult factory.

First make/last break: see page 53
Harpoons: see page 54



Reverse female, 2 row

8609 series, style Q



Catalogue numbers - standard items

Nbr of contacts	Contact arrang.	Contact termination
		<p>angled spills PCB 1,6 (.063)</p>
64		8609.264.68.13.7x5.000.E2
32		8609.132.68.13.7x5.000.E2
32		8609.232.68.13.7x8.000.E2



Performance class / plating:

- DIN 41612 class III: replace x by 4 in part number.
- DIN 41612 class II: replace x by 5 in part number.
- DIN 41612 class I: replace x by 6 in part number.

Contact plating: selective gold over nickel on contact area, tin-lead on termination.

Options:

Special terminations and contact arrangements are available upon request: consult factory.

Harpoons: see page 54