

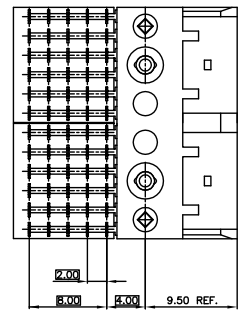
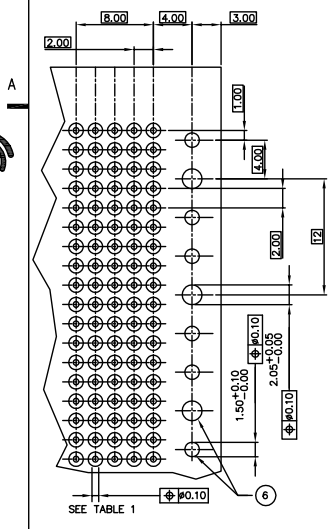
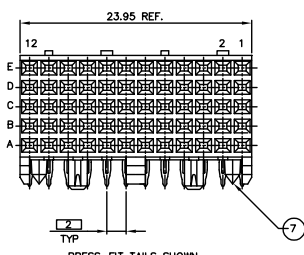
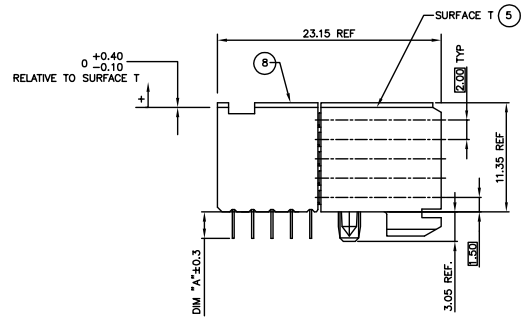
Tous droits strictement réservés. Reproduction ou communication à des tiers sans autorisation écrite du propriétaire. Propriété de FCi. Droits de reproduction FCi.



All rights strictly reserved. Reproduction or issue to third parties in any form whatever is not permitted without written authority from the proprietor. Property of FCi. Copyright FCi.

PRODUCT NUMBER	
85719-YYY	
85719-YYLF	

PLATING CONTACT AREA:	
DASH NR:	PERFORMANCE LEVEL
-1YY/1YYLF	TELCORDIA CO
-2YY/2YYLF	CUSTOMER SPECIAL
-3YY/3YYLF	CUSTOMER SPECIAL



- NOTES:
- CONNECTOR MATERIALS:
HOUSING: LCP, 30% GLASS FILLED,
TERMINAL: PHOSPHOR BRONZE ALLOY
UL 94-V0 COMPLIANT
 - PLATING ON PRESS-FIT TIAL:
85719-YYY IS 0.5-1.5um SnPb
85719-YYLF IS 0.5-1.5um Sn (LEAD FREE)
 - PRODUCT SPECIFICATION:
GS-12-002
 - APPLICATION SPECIFICATIONS:
BUS-20-061
GS-20-001
TA-941
 - PRODUCT MARKING: (PART NUMBER & LOT CODE).
 - INDICATED HOLES ARE UNPLATED.
 - DIAMOND LOCATION PEG ARE ONLY EXISTED ON THE BOTH SIDES OF PRODUCT.
 - TOP SURFACE OF PRESS BLOCK MAY EXTEND UP TO 0.4MM HIGHER THAN HOUSING. THIS MAY AFFECT THE TAIL LENGTH BEFORE APPLICATION TO A BOARD.
 - VIA-HOLES MAY BE OMITTED ON CONTACT POSITIONS "NOT LOADED".
 - THE PRODUCTS WHERE THE PART NUMBER ENDS IN 'LF' MEETS THE EUROPEAN UNION DIRECTIVES AND OTHER COUNTRY REGULATIONS AS DESCRIBED IN GS-22-008.
 - ALL PRODUCTS WILL WITHSTAND EXPOSURE TO 240° FOR 60 SECONDS IN A CONVECTION, INFRA-RED OR VAPOR PHASE REFLOW OVEN.

PLATED THRU HOLE REQUIREMENTS	
HOLE DIAMETER AFTER PLATING	0.65-0.80
DRILLED HOLE	0.81-0.86 (0.85 DRILL)
COPPER PLATING	0.025 - 0.05
SnPb PLATING	0.005-0.015

mat'l. code				tolerances unless otherwise specified		CUSTOMER COPY	
SEE NOTE 1						www.fciconnect.com	
ltr	ecn no	dr	date			projection	title
AA	DC07-0169	Cenh	05/15/07	linear			B SERIES R/A RECEIPT ASSY.
AB	DC08-0171	TER	9/3/08				5 ROW, 2 MOD, SL, PF
AC	DG09-0088	Cenh	06/06/09	angles			product family METRAL
						MM	code
W	V04-0327	DAI	4/6/04	enr	C. DAILY	4/16/02	213
X	V05-0032	TAB	1/20/05	chr	M. GRAY	4/16/02	sheet
Y	V05-1013	JRV	11/2/05	appd	M. GRAY	4/16/02	1 of 2
scale						1:1	
sheet index	revision	AC	AC				
	sheet	1	2				

RECOMMENDED PC BOARD LAYOUT, COMPONENT SIDE. SEE NOTE 9

Tous droits strictement réservés. Reproduction ou communication à des tiers interdite sous quelque forme que ce soit sans autorisation écrite du propriétaire. Property of FCI. Copyright FCI. Droits de reproduction FCI.



All rights strictly reserved. Reproduction or issue to third parties in any form whatsoever is not permitted without written authority from the proprietor. Property of FCI. Copyright FCI.

PRODUCT NUMBER		CONFIGURATION										DIM A	
ROW	12	11	10	9	8	7	6	5	4	3	2	1	
85719-X01	E	-	-	-	-	-	X	X	X	X	X	X	2.90
	D	-	-	-	-	-	X	X	X	X	X	X	
	C	X	X	X	X	X	X	X	X	X	X	X	
85719-X01LF	B	-	-	-	-	-	X	X	X	X	X	X	
	A	-	-	-	-	-	X	X	X	X	X	X	

*- POSITION NOT LOADED
*X POSITION LOADED

mat'l. code SEE NOTE 1				tolerances unless otherwise specified				CUSTOMER COPY		www.fciconnect.com	
ltr	ecn no	dr	date	linear	projection			title		code	
AC				angles	MM	B SERIES R/A RECEIPT ASSY.		5 ROW, 2 MOD, SL, PF		213	
				dr	C. DAILY	4/16/02	product family	METRAL		sheet	
				engr	M. GRAY	4/16/02	size	85719		2 of -	
				chr	M. GRAY	4/16/02	scale	1:1			
				appd	M. GRAY	4/16/02					
sheet index	revision	sheet									

ACAD

PDM: Rev:AC

cage code 22526
STATUS: Released

May 19, 2011