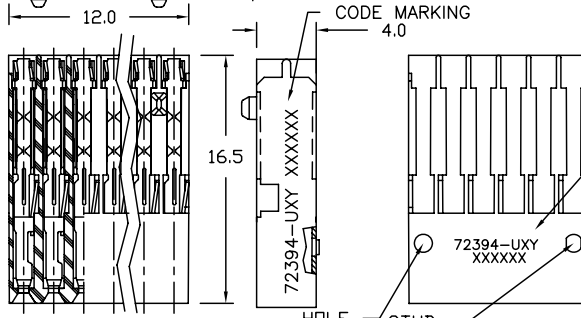
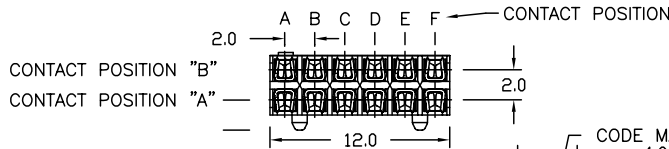
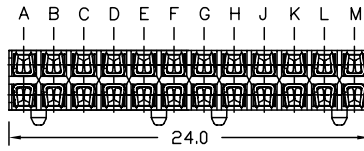


MATERIAL  
 INSULATORS  
 GLASS FILLED 612 POLYAMIDE  
 CONTACTS  
 PHOSPHOR BRONZE  
 SOLDER FINISH ON IDC DIMPLES



HOLE STUD INTERLOCKING FEATURES FOR "X" = 4

NOTES:

- SEE APPLICATION SPECIFICATION GS-20-002 FOR INSTRUCTIONS ON WIRE INSERTION AND ASSEMBLY OF COMPONENTS FOR CONNECTORS USING THESE SUB-ASSEMBLIES.
- THE PRODUCTS WHERE THE PART NUMBER ENDS IN LF MEET THE EUROPEAN UNION DIRECTIVES AND OTHER COUNTRY REGULATIONS AS DESCRIBED IN GS-22-008.
- THESE PRODUCTS LISTED ON THIS DRAWING WILL NOT WITHSTAND WAVE SOLDER OR REFLOW OPERATIONS.
- FOR LEAD FREE PART NUMBERS, ADD AN 'LF' SUFFIX. EXAMPLE: 72394-IIIILF.

mat'l. code		surface	tolerance	projection	product family
		ASME Y14.5 ✓	ASME Y14.5		METRAL ACC
A	V71561	JRV	11/9/99	tolerances unless otherwise specified	title CONNECTOR SUB-ASSEM. 4 ROW METRAL UNSHIELDED CABLE CONNECTOR ASSY.
B	V84049	JRV	10/13/99	angles X ±3 XX ±B	
C	V12562	CGD	10/22/01	0° ±2'	scale 1:1
D	V20611	CGD	04/12/02	dr J. VOLSTORF	10/13/99
E	V05-0598	VS	08/10/05	engr J. VOLSTORF	10/13/99
F	V06-0613	JRV	2006-06-22	chr J. VOLSTORF	10/13/99
				appd J. VOLSTORF	10/13/99
sheet	revision	F	F		
index	sheet	1	2		



This document is the property of and embodies CONFIDENTIAL and PROPRIETARY information of FCI. No part of the information shown on this document may be used in any way or disclosed to others without the written consent of FCI.  
Copyright FCI



FCI CONFIDENTIAL

ORDERING INFORMATION

ORDER PARTS 72394-UXY1 WHERE PLATING ON CONTACT TINES.

- U=1 FOR 0.8 um GOLD
- U=2 FOR 2.0 um GOLD
- U=3 FOR 1.3 um GOLD
- U=9 FOR 0.8 um GXT

CONNECTOR SUB-ASSEMBLE SIZE

- X=1 FOR STANDARD 2x6
- X=2 FOR STANDARD 2x12
- X=4 FOR INTERLOCKING 2x6

COPPER WIRE SIZE

- Y=1 FOR 26 TO 24 GAGE
- Y=2 FOR 30 TO 28 GAGE

IDC AREA PLATING SnPb

ORDERING INFORMATION

ORDER PARTS 72394-UXY1LF WHERE PLATING ON CONTACT TINES.

- U=1 FOR 0.8 um GOLD
- U=2 FOR 2.0 um GOLD
- U=3 FOR 1.3 um GOLD
- U=9 FOR 0.8 um GXT

CONNECTOR SUB-ASSEMBLE SIZE

- X=1 FOR STANDARD 2x6
- X=2 FOR STANDARD 2x12
- X=4 FOR INTERLOCKING 2x6

COPPER WIRE SIZE

- Y=1 FOR 26 TO 24 GAGE
- Y=2 FOR 30 TO 28 GAGE

IDC AREA PLATING Sn (LEAD FREE)

mat'l. code		surface ASME Y14.5 ✓		tolerance ASME Y14.5		projection		product family METRAL ACC	
ltr	ecn no	dr	date	tolerances unless otherwise specified		MM		title CONNECTOR SUB-ASSEM. 4 ROW METRAL UNSHIELDED CABLE CONNECTOR ASSY.	
F				angles	X +3	scale 1:1		dwg no 72394 sheet 2 of 2 size A4	
				0° ±2'	XX +.01	FCI		type CUSTOMER Drawing	
				dr	J. VOLSTORF	10/13/99			
				engr	J. VOLSTORF	10/13/99			
				chr	J. VOLSTORF	10/13/99			
				appd	J. VOLSTORF	10/13/99			
sheet index	revision sheet								

Downloaded from Datasheet.su