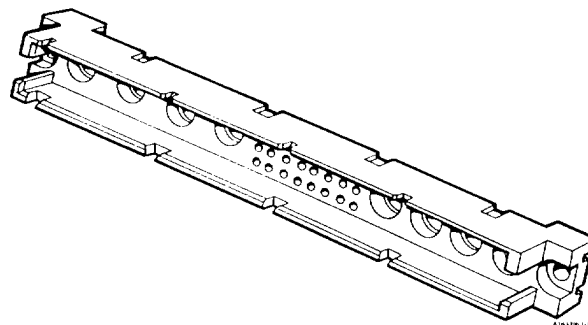


Hybrid Connectors

2.54 mm (0.100 in.) Centerlines

DIN Hybrid Shroud



Features

- Use with hybrid DIN vertical headers.
- Wide lead-in for easy mating.
- Polarized.

Options

- Coding.

Mating Data

Mates to 0.64 mm (0.025 in.) square pin and hybrid inserts according to DIN 41616

Berg Electronics Products	Page
■ DIN vertical hybrid headers	18-22
■ DIN right-angle hybrid receptacles	18-24

- DIN coax inserts 18-28
- DIN power inserts 18-32

Specifications

- DIN 41612 Series M (reversed)
- DIN 41616
- IEC 603-2

Technical Data

Spacing

- Pins 2.54 × 2.54 mm (0.100 × 0.100 in.)
- Inserts 7.62 mm (0.300 in.)

Materials

- Housing Polycarbonate (UL 94 V-0)
 - ▶ Color Gray

Electrical Performance

- Insulation resistance ... 1 × 10⁸ MΩ initially; 10⁸ Ω after environmental test
- Withstanding voltage 1000 V rms (sea level)

Operating Environment

- Temperature range - 55 C to + 125 C

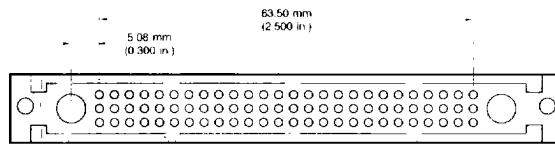
Packaging

- Bags

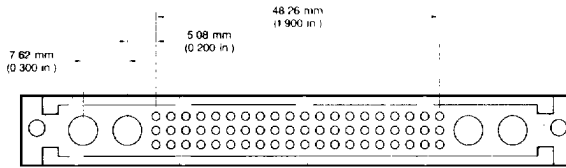
Customer Support Materials

Description	Order No.	Description	Order No.
Customer Product Drawings	By Part Number	Product Samples	Upon Request

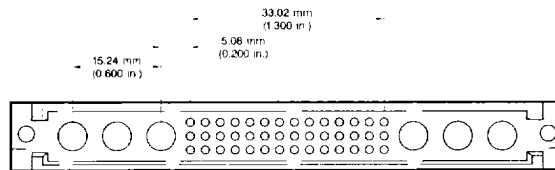
Description



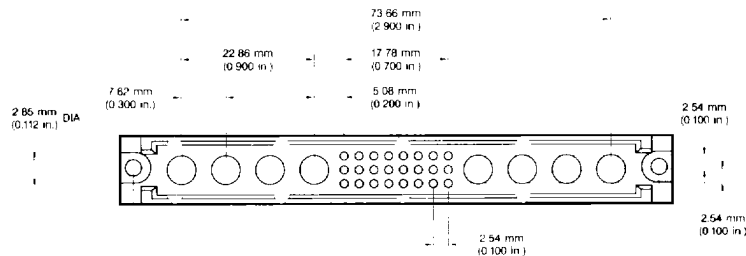
70033-005



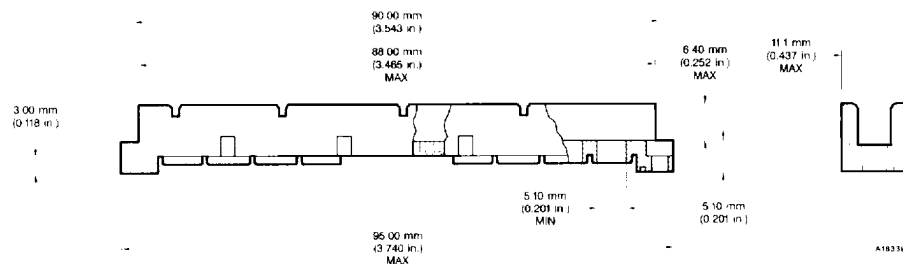
70033-006



70033-007



70033-008



Ordering Data
Base Number 70033

Base number specifies finish, mounting style and height above pc board



Dash number specifies number of positions.

Pin Positions

- 78
- 60
- 42
- 24

Hybrid Inserts

- 2 · 1
- 2 · 2
- 2 · 3
- 2 · 4

Dash Number

- 005
- 006
- 007
- 008

Ordering data shown is for our standard product offering. For non-standard or custom products, contact your authorized Berg Electronics representative.