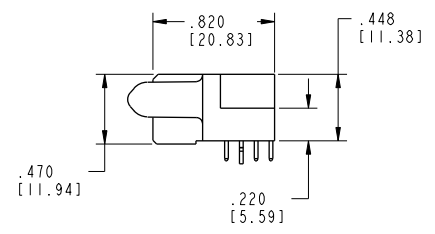
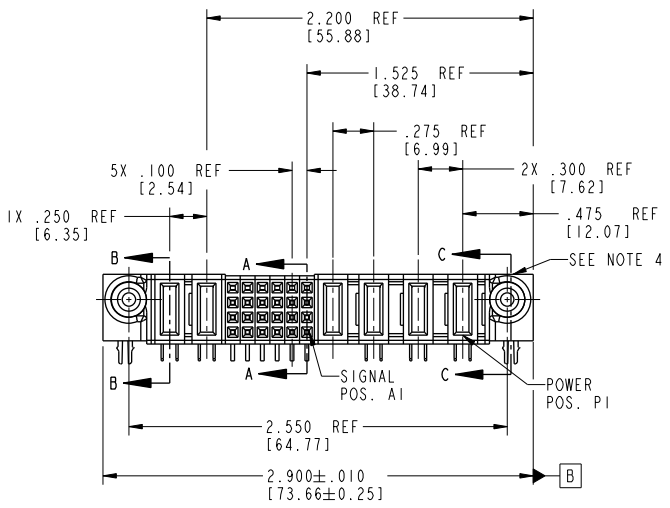
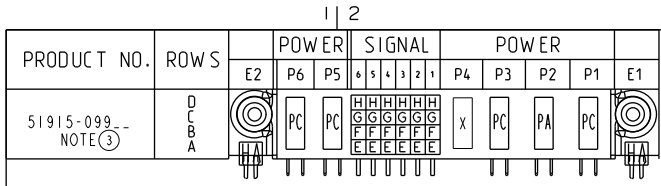


Tous droits strictement réservés. Reproduction ou communication à des tiers interdite sous quelque forme que ce soit sans autorisation écrite du propriétaire. Propriété de c FCI. Droits de reproduction FCI.

All rights strictly reserved. Reproduction or issue to third parties in any form whatever is not permitted without written authority from the proprietor. Property of FCI. Copyright FCI.



CODE	DIM "M" MATING LENGTH	CONTACT TYPE
PC	.092 [2.34]	POWER
H	N/A [N/A]	SIGNAL
G	N/A [N/A]	SIGNAL
F	N/A [N/A]	SIGNAL
E	N/A [N/A]	SIGNAL
HA	N/A [N/A]	HOLD-DOWN
PA	.042 [1.07]	POWER
X	OMITTED	OMITTED

mat'l code				tolerances unless otherwise specified		CUSTOMER	
lfr	ecr no.	dr	date	linear	angles	COPY	
A	DG06-0143	JMG	03/31/06	.XX±.01/0.XX±0.3	0°±?	projection	
				.XXX±.005/0.XX±0.13	INCH/MM		
				.XXX±.0020/0.XX±0.051	scale 1:1		
				dr	JM GUO	03/31/06	product family
				enr	STEVEN WANG	03/31/06	PwrBlade
				chr	VICTOR LIN	03/31/06	code
				appd	JOSEPH HSIA	03/31/06	213
				sheet index	1	2	3
				revision sheet	A	A	A
				Pro/E	1	2	3
				4	4	4	4

CUSTOMER		product family		code	
FCI www.fciconnect.com		3ACP + 1P + 24S + 2P		213	
R/A STB RECEPTACLE		PwrBlade		sheet of 4	
size		dwg no		1	
A		51915-099		1	

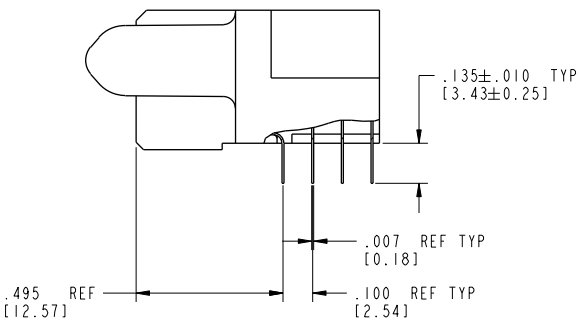
PDM: Rev:A STATUS: Released Printed: Dec 20, 2010

Tous droits strictement reserves. Reproduction ou communication a des tiers interdite sous quelque forme que ce soit sans autorisation écrite du propriétaire. Propriete de c FCI. Droits de reproduction FCI.

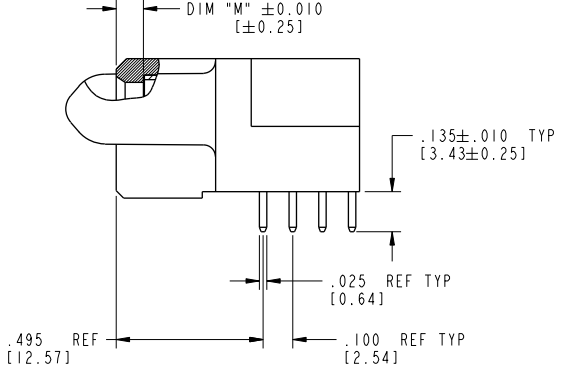
All rights strictly reserved. Reproduction or issue to third parties in any form whatever is not permitted without written authority from the proprietor. Property of FCI. Copyright FCI.



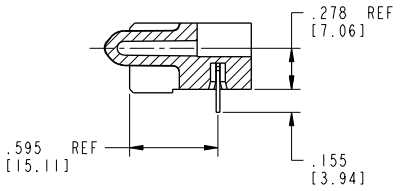
PRODUCT NUMBER
51915-099--
NOTE ③



BROKEN-OUT SECTION A-A
SCALE 2:1



BROKEN-OUT SECTION B-B
SCALE 2:1



SECTION C-C

mat'l code SEE NOTE 2				tolerances unless otherwise specified		CUSTOMER		www.fciconnect.com	
lfr	ecn no.	dr	date	linear	.XX±.01/0.XX±0.3	projection		title 3ACP + 1P + 24S + 2P R/A STB RECEPTACLE	
A				angles	.XXX±.005/0.XX±0.13	INCH/MM		product family	PwrBlade
				dr	XXX±.002/0.XX±0.051	scale	1:1	size	dwg no
				enr	JM GUO 03/31/06			A	51915-099
				chr	STEVEN WANG 03/31/06				code
				appd	VICTOR LIN 03/31/06				213
					JOSEPH HSIA 03/31/06				sheet
sheet index	revision sheet								2 of 4

Pro/E

PDM: Rev:A

STATUS: Released

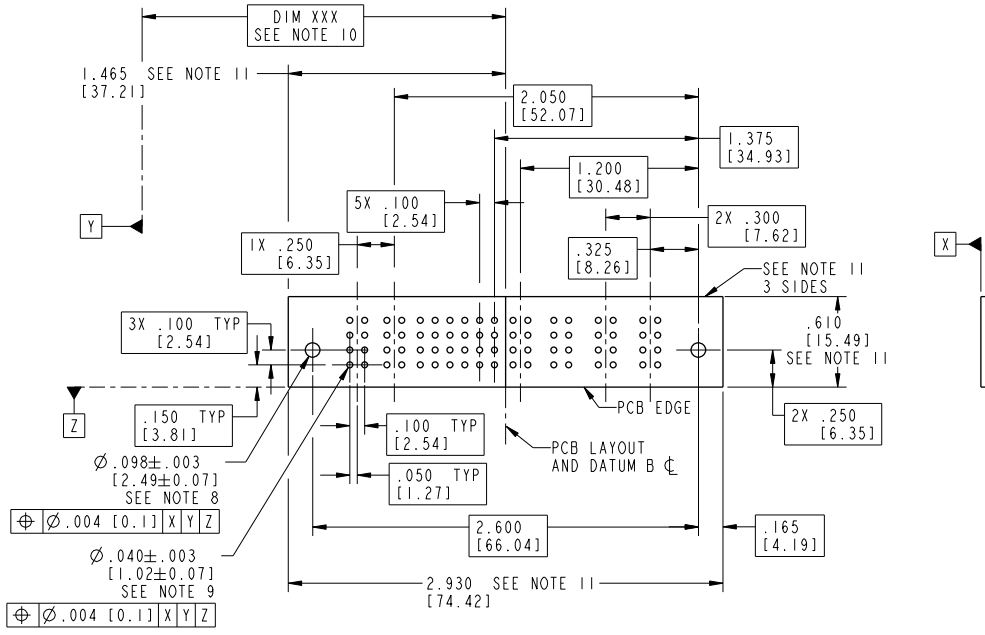
Printed: Dec 20, 2010

Tous droits strictement réservés. Reproduction ou communication à des tiers interdite sous quelque forme que ce soit sans autorisation écrite du propriétaire. Propriété de c FCI. Droits de reproduction FCI.

All rights strictly reserved. Reproduction or issue to third parties in any form whatever is not permitted without written authority from the proprietor. Property of FCI. Copyright FCI.



PRODUCT NUMBER
51915-099--
NOTE ③



mat'l code				SEE NOTE 2	tolerances unless otherwise specified	CUSTOMER	www.fciconnect.com	
lfr	ecr no.	dr	date	linear	.XX±.01/0.XX±0.3	COPY	title	3ACP + 1P + 24S + 2P
A					.XXX±.005/0.XX±0.13	projection	R/A STB RECEPTACLE	
				angles	.XXX±.002/0.XX±0.051		product family	PwrBlade
				dr	JM GUO 03/31/06	INCH/MM	size	dwg no
				enr	STEVEN WANG 03/31/06	scale	A	51915-099
				chr	VICTOR LIN 03/31/06	1:1	code	213
				appd	JOSEPH HSIA 03/31/06		sheet	3 of 4
sheet index	revision sheet							

Pro/E

PDM: Rev: A

STATUS: Released

Printed: Dec 20, 2010

Tous droits strictement reserves. Reproduction ou communication a des tiers interdite sous quelque forme que ce soit sans autorisation écrite du propriétaire. Propriete de c FCI. Droits de reproduction FCI.

All rights strictly reserved. Reproduction or issue to third parties in any form whatever is not permitted without written authority from the proprietor. Property of FCI. Copyright FCI.



PRODUCT NUMBER
51915-099--
NOTE ③

NOTES:

1. DIMENSIONS AND TOLERANCES ARE IN ACCORDANCE WITH ASME Y14.5M, 1994 UNLESS OTHERWISE SPECIFIED.

CONNECTOR NOTES:

- ②. HOUSING MATERIAL: UL 94 V-0 GLASS FILLED HIGH-TEMP THERMOPLASTIC
POWER CONTACT MATERIAL: COPPER ALLOY
SIGNAL PIN MATERIAL: COPPER ALLOY
- 3. PLATING:
51915-099, 51915-099LF PLATING SPEC. WAS SHOWN IN THE PRINT OF 10064183.
- ④. MANUFACTURER'S NAME, P/N, AND DATE CODE TO APPEAR ON THIS SURFACE.
- 5. PRODUCT SPECIFICATION GS-12-149.
APPLICATION SPECIFICATION BUS-20-067.
- 6. PACKAGED IN TRAYS.

PCB NOTES:

- 7. ALL HOLE DIAMETERS ARE FINISHED HOLE SIZE.
- ⑧. MOUNTING HOLES, WHERE APPLICABLE, ARE UNPLATED.
- ⑨. $\varnothing .0453 \pm .0010$ [1.151 \pm 0.025] DRILLED HOLES PLATED WITH .0003 [0.008] MIN SnPb OVER .001 [0.03] TO .003 [0.08] Cu PLATING TO ACHIEVE $\varnothing .040 \pm .003$ [1.02 \pm .07] HOLE.
- ⑩. "DIM XXX" TO BE DETERMINED BY THE CUSTOMER.
- ⑪. CONNECTOR KEEP-OUT ZONE.

mat'l code		SEE NOTE 2		tolerances unless otherwise specified		CUSTOMER		www.fciconnect.com	
lfr	ecr no.	dr	date	linear	$.XX \pm .01 / 0.XX \pm 0.3$ $.XXX \pm .005 / 0.XX \pm 0.13$ $.XXX \pm .002 / 0.XX \pm 0.051$	projection		title 3ACP + 1P + 24S + 2P R/A STB RECEPTACLE	
A				angles	$0^\circ \pm \theta^\circ$			product family	PwrBlade
				dr	JM GUO 03/31/06	INCH/MM		size	dwg no
				enr	STEVEN WANG 03/31/06	scale	1:1	A	51915-099
				chr	VICTOR LIN 03/31/06				
				appd	JOSEPH HSIA 03/31/06				
sheet index	revision sheet								