



PRODUCT NUMBER
20020010-XXXXXXLF

20020010-□ □ □ □ □ 0 □ L F

PITCH
C: 3.50 mm
D: 3.81 mm
G: 5.00 mm
H: 5.08 mm

POLES
02: 2 POLES
03: 3 POLES
04: 4 POLES

24: 24 POLES

LF : NOTED RoHS COMPATIBLE

1 : STANDARD PRODUCT
W/ BOX PACKING

PROPERTY TABLE						
FCI SERIES NAME		02-350	02-381	02-500	02-508	
PITCH (mm)		3.50	3.81	5.00	5.08	
VOLTAGE RATING (VAC)		300	300	300	300	
CURRENT RATING (A)	cULus	8	8	12	12	
	VDE	10	10	NA	NA	
APPLICABLE WIRE RANGE (AWG)	1-WIRE	16~28	16~28	12~24	12~24	
	2-WIRE	20	20	18	18	
WIRE CROSS SECTION (mm ²)	SOLID	1-WIRE	1.5	1.5	2.5	2.5
		2-WIRE	0.5	0.5	1.0	1.0
	STRANDED	1-WIRE	1.5	1.5	2.5	2.5
		2-WIRE	0.75	0.75	1.5	1.5
OPENING CONTACT HOUSING(mm ²)		2.8x1.7	2.8x1.7	2.6x3.3	2.6x3.3	
WIRE STRIP LENGTH(mm)		6~7	6~7	6~7	6~7	
TORQUE +/-10% (N-m/Lb-in)		0.19/1.7	0.19/1.7	0.4/3.5	0.4/3.5	
SCREW		M2x0.4	M2x0.4	M3x0.5	M3x0.5	
WITHSTANDING VOLTAGE (kV)	cULus	1.6	1.6	1.6	1.6	
	VDE	2.5	2.5	NA	NA	
OPERATING TEMP. (°C)		-40~+115	-40~+115	-40~+115	-40~+115	
POLES AVAILABLE		02~24	02~24	02~24	02~24	
SAFETY CERTIFICATE						

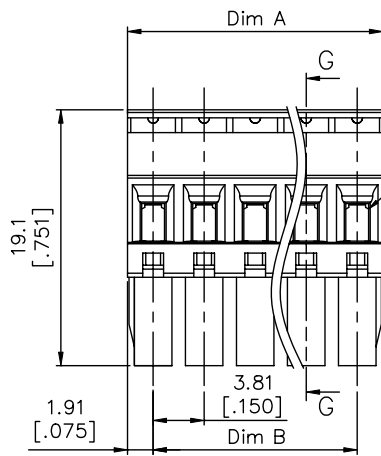
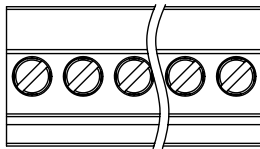
CODE	COLOR	AVAILABILITY
1	GREEN(RAL 6018/T)	STANDARD
2	BLACK	ON REQUEST ONLY
3	GREY(RAL 7004/P)	ON REQUEST ONLY
4	BLUE(RAL 5015/A)	ON REQUEST ONLY

CODE	SCREW TYPE	AVAILABILITY
A	-/+	ON REQUEST ONLY
B	-	STANDARD

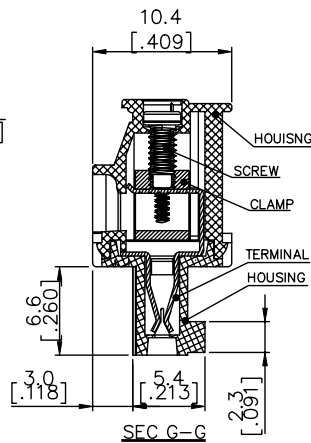
- NOTES:
- MATERIALS
 - 1-1 HOUSING: THERMALPLASTIC RESIN, UL 94V-0 RATED.
 - 1-2 SCREW: STEEL, ZINC PLATED.
 - 1-3 CLAMP: COPPER ALLOY, NICKEL PLATED.
 - 1-4 TERMINAL: COPPER ALLOY, TIN PLATED.
 - PRODUCT SPECIFICATION REFER TO FCI GS-12-625.
 - PRODUCT PACKING SPECIFICATION REFER TO FCI GS-14-1394.
 - FCI, SAFETY CERTIFICATE LOGO AND SERIES NAME TO BE SHOWN ON PRODUCT SURFACE.
 - THE PRODUCTS WHERE THE PART NUMBER END IN "LF" MEET THE EUROPEAN UNION DIRECTIVE AND OTHER COUNTRY REGULATIONS AS DESCRIBED IN GS-22-008.

mat'l. code		surface ASME Y14.5	tolerance ASME Y14.5	projection	product family					
tr		tolerances unless otherwise specified		MM	TERMINAL BLOCK					
A	T10-0029	JH	120909	X.±0.5	TERMINAL BLOCK PLUGGABLE PLUG, BACK SIDE HOOK					
B	T10-0042	WL	030310	X.X±0.3						
C	T10-0082	WL	080510	X'±1"	scale					
D	T10-0158	WL	100410	dr	JASON HSU 120909					
E	T11-0013	WL	040811	engr	JASON HSU 120909					
				chr	GARY HSIEH 120909					
				appd	JOSEPH HSIA 120909					
sheet index	revision sheet	E 1	E 2	E 3	E 4	E 5	dwg no	sheet 1 of 5	size	A4
							20020010			CUSTOMER Drawing

PRODUCT NUMBER	SERIES NAME	PITCH
20020010-DXXXXXXLF	02-381	3.81 mm



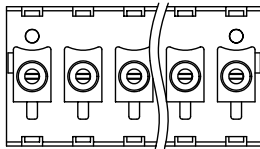
∅2.8x1.7
[∅.110x.067]



N = Number of poles
Dim A=Nx3.81[.150]
Dim B=(N-1)x3.81[.150]

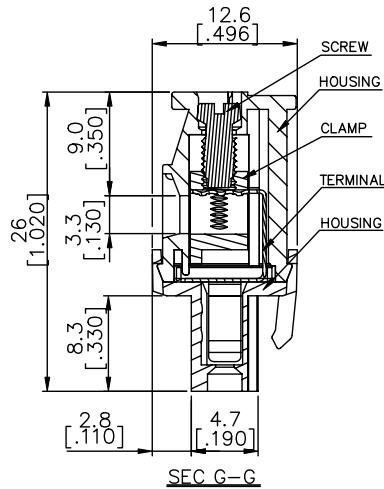
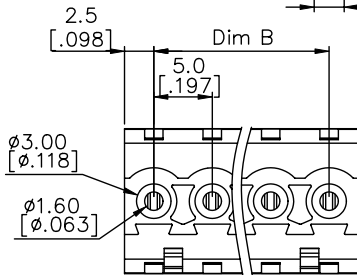
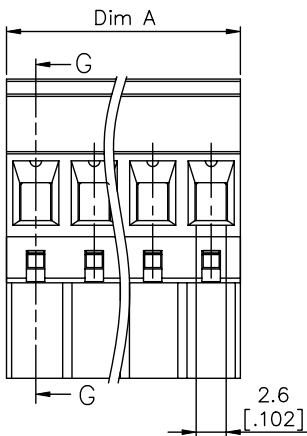
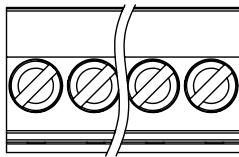
POLES	Dim A	Dim B
2-6p	±0.15[.006]	
7-12p	±0.20[.008]	
13-18p	±0.25[.010]	
19-24p	±0.30[.012]	

2p to 6p with wedge, above 7p
without wedge(including 7p)



mat'l. code	surface ASME Y14.5	tolerance ASME Y14.5	projection	product family
ltr ecn no dr date	tolerances unless otherwise specified		MM [INCH]	TERMINAL BLOCK
E	angles	X.±0.5	scale	title
	X'±1'	X.X±0.3		TERMINAL BLOCK
		X.XX±0.1		PLUGGABLE PLUG, BACK SIDE HOOK
	dr JASON HSU	120909		dwg no
	enr JASON HSU	120909		20020010
	chr GARY HSIEH	120909		sheet 3 of 5
	appd JOSEPH HSIA	120909		size A4
sheet index	revision sheet			type CUSTOMER Drawing

PRODUCT NUMBER	SERIES NAME	PITCH
20020010-GXXXXXLF	02-500	5.00 mm

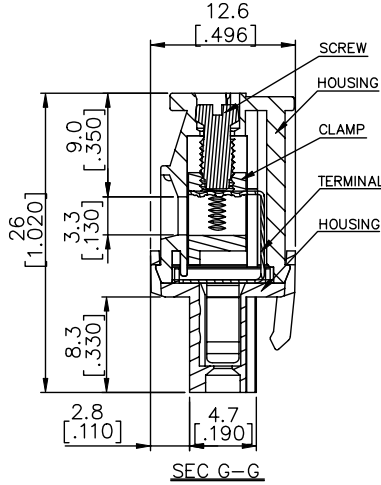
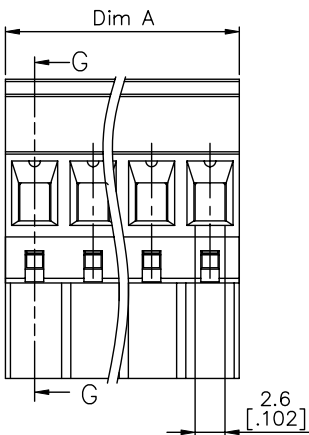
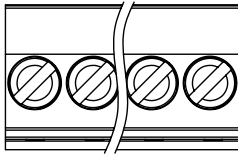


N = Number of poles
 Dim A = $N \times 5.0$ [.197]
 Dim B = $(N-1) \times 5.0$ [.197]

POLES	Dim A	Dim B
2-6p	± 0.15 [.006]	
7-12p	± 0.25 [.010]	
13-18p	± 0.30 [.012]	
19-24p	± 0.40 [.016]	

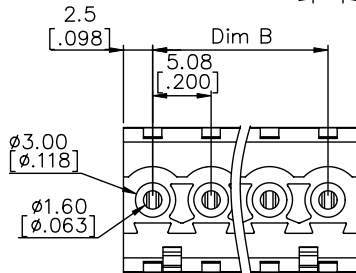
mat'l. code	surface ASME Y14.5	tolerance ASME Y14.5	projection	product family	TERMINAL BLOCK
ltr ecn no dr date	tolerances unless otherwise specified		MM [INCH]	title	
E	angles	X.±0.5	MM [INCH]	TERMINAL BLOCK	
	radius	X.X±0.3	scale	PLUGGABLE PLUG, BACK SIDE HOOK	
	X'±1"	X.XX±0.1		dwg no 20020010 sheet 4 of 5 size A4	
	dr JASON HSU 120909			FCI	
	enr JASON HSU 120909			type CUSTOMER Drawing	
	chr GARY HSIEH 120909				
	appd JOSEPH HSIA 120909				
sheet index	revision sheet				

PRODUCT NUMBER	SERIES NAME	PITCH
20020010-HXXXXXL	02-508	5.08 mm



N = Number of poles
 Dim A = N x 5.08 [.200]
 Dim B = (N-1) x 5.08 [.200]

POLES	Dim A	Dim B
2-6p	±0.15 [.006]	
7-12p	±0.25 [.010]	
13-18p	±0.30 [.012]	
19-24p	±0.40 [.016]	



mat'l. code	surface ASME Y14.5	tolerance ASME Y14.5	projection	product family
ltr ecn no dr date	tolerances unless otherwise specified	angles	MM [INCH]	TERMINAL BLOCK
E		X±0.5	scale	title
		X.X±0.3		TERMINAL BLOCK
		X.X±0.1		PLUGGABLE PLUG, BACK SIDE HOOK
	dr JASON HSU 120909			dwg no 20020010 sheet 5 of 5 size A4
	enr JASON HSU 120909			FCI
	chr GARY HSIEH 120909			type CUSTOMER Drawing
	appd JOSEPH HSIA 120909			
sheet index	revision sheet			