



Copyright FCI.



FCIconnect.com



1 | 2

3 |

4

PRODUCT NUMBER
20020000-XXXXXXLF

20020000- [] [] [] [] [] 0 [] LF

PITCH
C: 3.50 mm
D: 3.81 mm

POLES
02: 2 poles
03: 3 poles
04: 4 poles
24: 24 poles

LF : DENOTED RoHS COMPATIBLE
1 : STANDARD PRODUCT
W/ BOX PACKING

PROPERTY TABLE			
FCI SERIES NAME	01-350	01-381	
PITCH (mm)	3.50	3.81	
VOLTAGE RATING (VAC)	300	300	
CURRENT RATING (A)	10	10	
APPLICABLE WIRE RANGE (AWG)	1-WIRE	16~26	
	2-WIRE	20	
WIRE CROSS SECTION (mm ²)	SOLID	1-WIRE	1.5
		2-WIRE	0.5
	STRANDED	1-WIRE	1.5
		2-WIRE	0.75
OPENING CONTACT HOUSING(mm ²)	1.6x2.5	1.6x2.5	
WIRE STRIP LENGTH(mm)	6~7	6~7	
TORQUE +/-10% (N-m/Lb-in)	0.34/3.0	0.34/3.0	
SCREW	M2x0.4	M2x0.4	
WITHSTANDING VOLTAGE (kV)	1.6	1.6	
OPERATING TEMP. (°C)	-40~+115	-40~+115	
POLES AVAILABLE	02~24	02~24	
SAFETY CERTIFICATE			

HOUSING CODE		
CODE	COLOR	AVAILABILITY
1	GREEN(RAL 6018/T)	STANDARD
2	BLACK	ON REQUEST ONLY
3	GREY(RAL 7004/P)	ON REQUEST ONLY
4	BLUE(RAL 5015/A)	ON REQUEST ONLY

SCREW CODE		
CODE	SCREW TYPE	AVAILABILITY
A	-/+	ON REQUEST ONLY
B	-	STANDARD

ALL FLANGE SCREWS ARE ONLY AVAILABLE IN +/- COMBINATION SCREW TYPES.

- NOTES:
- MATERIALS
 - 1-1 HOUSING: THERMALPLASTIC RESIN, UL 94V-0 RATED, COLOR GREEN.
 - 1-2 SCREW: STEEL, ZINC PLATED.
 - 1-3 CLAMP: COPPER ALLOY, NICKEL PLATED.
 - 1-4 TERMINAL: COPPER ALLOY, TIN PLATED.
 - PRODUCT SPECIFICATION REFER TO FCI GS-12-625.
 - PRODUCT PACKING SPECIFICATION REFER TO FCI GS-14-1394.
 - FCI, SAFETY CERTIFICATE LOGO AND SERIES NAME TO BE SHOWN ON PRODUCT SURFACE.
 - THE PRODUCTS WHERE THE PART NUMBER END IN "LF" MEET THE EUROPEAN UNION DIRECTIVE AND OTHER COUNTRY REGULATIONS AS DESCRIBED IN GS-22-008.

mat'l. code		surface	tolerance	projection	product family
		ASME Y14.5	ASME Y14.5		
ltr	ecn no	dr	date	tolerances unless otherwise specified	title
A	T10-0062	WL	050710	angles	MM
B	T10-0081	WL	061710		INCH
C	T10-0127	WL	080910	X±1	scale
D	T10-0155	WL	093010	dr WENDY CHEN 042310	dwg no
				enrg JASON HSU 042310	sheet 1 of 3
				chr GARY HSIEH 042310	size
				appd JOSEPH HSIA 042310	20020000
					A4
sheet	revision	D	D	D	type
index	sheet	1	2	3	CUSTOMER Drawing

form: A4mmXLc

1 |

2 |

PDM: Rev:D 3 | STATUS Released Printed: Oct 19, 2010 4



Copyright FCi.



FCiconnect.com

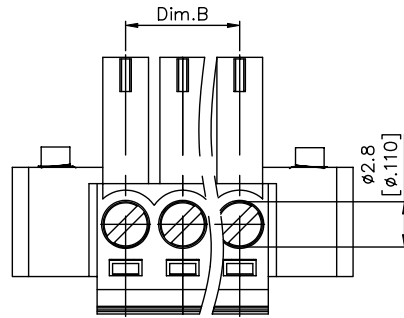


1 | 2

3

4

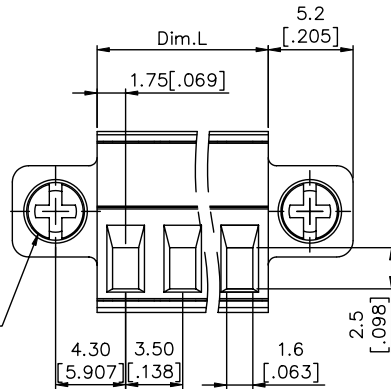
PRODUCT NUMBER	SERIES NAME	PITCH
20020000-CXXXXXL	01-350	3.50 mm



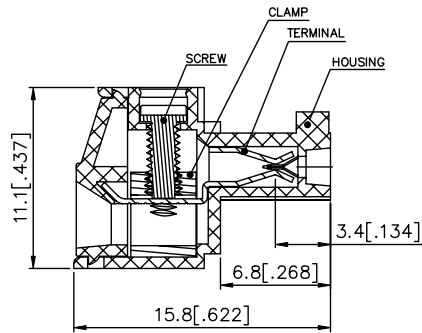
Dim.L = N x 3.5 [.138]
 Dim.B = (N-1) x 3.5 [.138]
 N= number of poles

poles Dim.	2P-6P	7P-12P
Dim.L	±0.15 [.006]	±0.20 [.008]
Dim.B	±0.15 [.006]	±0.20 [.008]

poles Dim.	13P-18P	19P-24P
Dim.L	±0.25 [.010]	±0.30 [.012]
Dim.B	±0.25 [.010]	±0.30 [.012]



FLANGE SCREW M2.5



mat'l. code	surface ASME Y14.5 ✓	tolerance ASME Y14.5	projection	product family
ltr	ecn	no	dr	date
D	tolerances unless otherwise specified			title
	angles	X.±0.5	MM	TERMINAL BLOCK PLUGGABLE, PLUG, SIGNAL, W/FLANGE
		X.X±0.3	INCH	
	X'±1'	X.XX±0.1	scale	sheet 2 of 3
	dr	WENDY CHEN	042310	size
	enr	JASON HSU	042310	20020000
	chr	GARY HSIEH	042310	A4
	appd	JOSEPH HSIA	042310	type
sheet index	revision sheet			CUSTOMER Drawing

form: A4mmXLc

1

2

PDM: Rev:D 3 | STATUS Released Printed: Oct 19, 2010 4



Copyright FCJ.



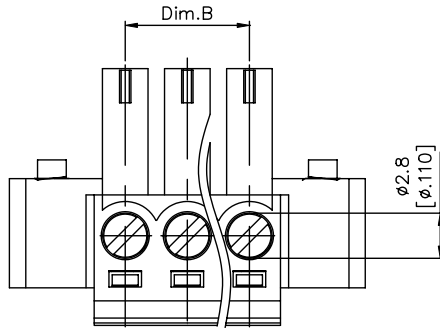
FCJconnect.com

1 | 2

3

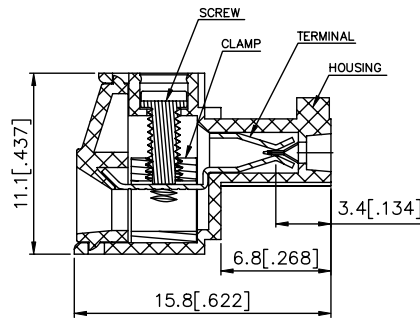
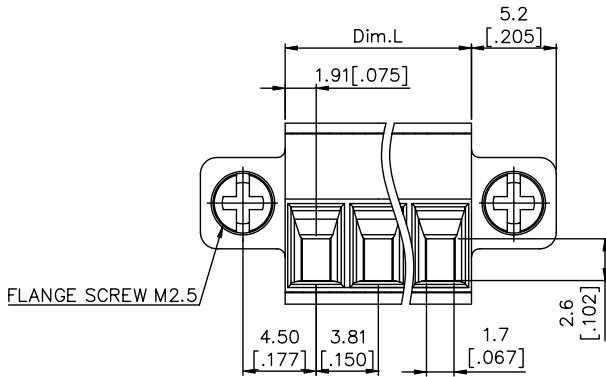
4

PRODUCT NUMBER	SERIES NAME	PITCH
20020000-DXXXXXXLF	01-381	3.81 mm



Dim.L = N x 3.81 [.150]
 Dim.B = (N-1) x 3.81 [.150]
 N= number of poles

Poles	Tolerance
2p-6p	±0.15 [.006]
7p-12p	±0.20 [.008]
13p-16p	±0.25 [.010]
17p-24p	±0.30 [.012]



mat'l. code	surface ASME Y14.5	tolerance ASME Y14.5	projection	product family
ltr D	ec D	no D	dr D	date
tolerances unless otherwise specified				title
angles	X.±0.5	MM	TERMINAL BLOCK	
X'±1'	X.X±0.3	[INCH]	PLUGGABLE, PLUG, SIGNAL, W/FLANGE	
	X.XX±0.1	scale	dwg no	sheet 3 of 3 size
dr	WENDY CHEN	042310	20020000	A4
enr	JASON HSU	042310		
chr	GARY HSIEH	042310		
appd	JOSEPH HSIA	042310		
sheet index	revision sheet		type	CUSTOMER Drawing

form: A4mmXLc

1

2

PDM: Rev:D 3 | STATUS Released Printed: Oct 19, 2010 4

5

B