

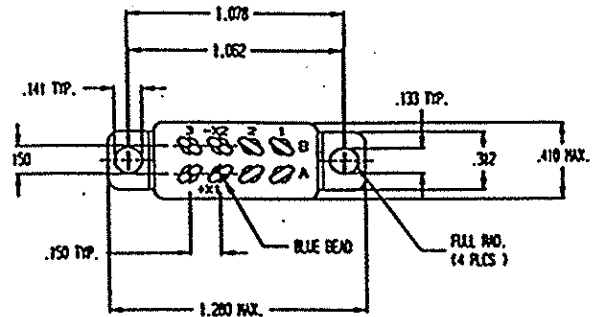
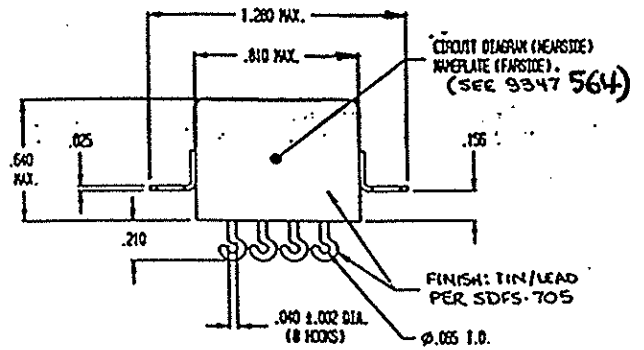
MSD INC.

ENGINEERING DATA SHEET

RELAY TYPE: FCB-205-CY5	COMPUTER PART No.: 9347564	TEST PROCEDURE MSDP-791
CUSTOMER/SPECIFICATION: CATALOG ITEM	REV NONE	

TEST REQUIREMENTS

$\pm 10\%$
 COIL RES.: **1600 OHMS** OPERATE TIME: **5 mS MAX** RELEASE TIME: **5 mS MAX**
 CONTACT MAKE BOUNCE: **1 mS MAX** N.O. BREAK BOUNCE: **N/A**
 CONTACT STABILIZATION TIME: **N/A** RATED COIL VOLTAGE: **48 Vdc**
 CONTACT RES.: MFG TEST: **.040 OHMS @ 10mA-6Vdc** FINAL TEST: **.050 OHMS @ 10mA-6Vdc**
 CONTACT VOLTAGE DROP: FINAL TEST: **.100 V MAX @ 5A-6Vdc**
 HI-POT: **1000 Vrms ALL POINTS**
 INSULATION RESISTANCE: **100 MEGOHMS MIN. @ 500 Vdc**
 VIBRATION: **N/A**
 SEAL TEST: **1×10^{-8} MAX LEAK RATE** COIL TRANSIENT SUPPRESSION: **N/A**
 OTHER:



Prepared By: Date		Approved By: Date	
LES WYNNE 3-20-96		<i>L. Rocher</i> 3-21-96	
Rev	ECN No.	Date	
B	97-248	12-29-97	

SPECIAL INSTRUCTIONS