

EXD-AR30-3

M

DRIVING NUMBER

10

ISSUE

10

REVISEMENTS

A

9 NOV 85

B

200499

JAN 88

C

0061381

DAW

23 APR 87

D

0065239

18 SEP 92

E

0073018

18 SEP 92

F

0074362

10 FEB 93

G

0077248

KEU

19 APR 94

H

0012750

RRB

28 NOV 05

J

0017248

RRB

28 NOV 05

FOI 2515-A

REPLACES
EXD-AR30-3
RELEASE NO. PR-8880

28 NOV 05

RU

AK

27 APR 93

AK

27 APR 93

AK

27 APR 93

AK

27 APR 93

AK

27 APR 93

AK

27 APR 93

AK

27 APR 93

AK

27 APR 93

AK

27 APR 93

AK

27 APR 93

AK

27 APR 93

AK

27 APR 93

AK

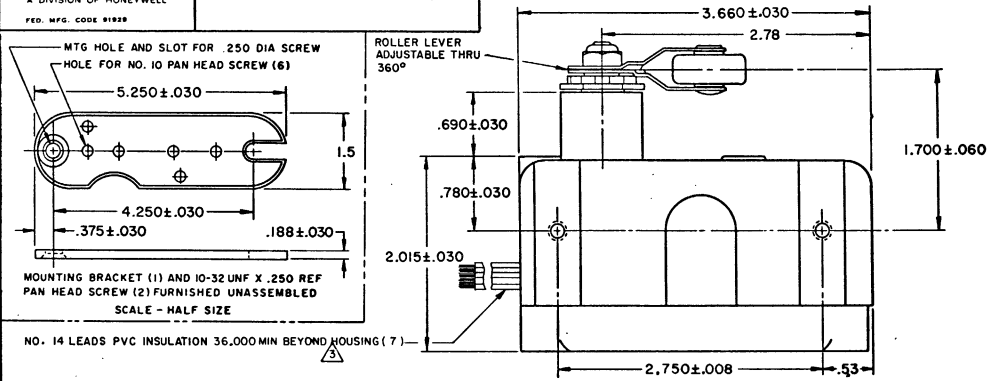
27 APR 93

AK

MICRO SWITCH
FREEPORT ILLINOIS U.S.A.
A DIVISION OF HONEYWELL
FED. MFG. CODE 91929

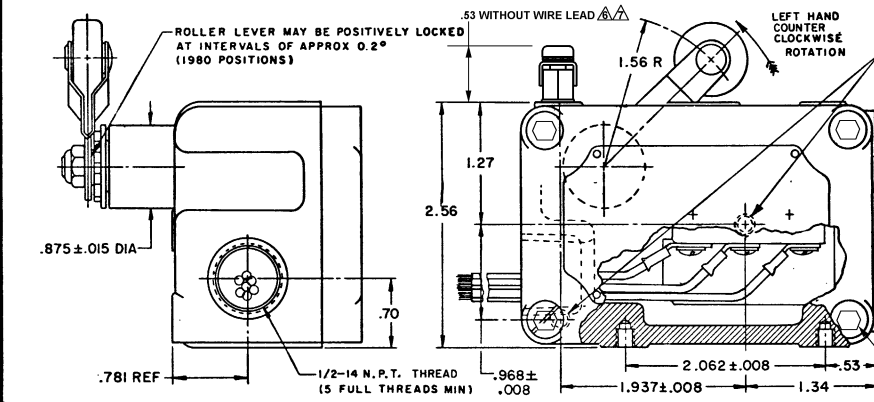
SWITCH-ENCLOSED

CATALOG LISTING
EXD-AR30-3



MOUNTING BRACKET (1) AND 10-32 UNF X .250 REF PAN HEAD SCREW (2) FURNISHED UNASSEMBLED
SCALE - HALF SIZE

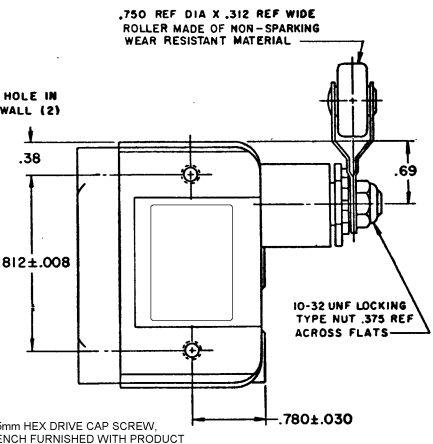
NO. 14 LEADS PVC INSULATION 36.000 MIN BEYOND HOUSING (7)



ROLLER LEVER MAY BE POSITIVELY LOCKED AT INTERVALS OF APPROX 0.2° (1980 POSITIONS)

LEFT HAND COUNTER CLOCKWISE ROTATION

MOUNTING HOLE IN OPPOSITE WALL (2)



4 X 5mm HEX DRIVE CAP SCREW, WRENCH FURNISHED WITH PRODUCT

THIS DRAWING COVERS A PROPRIETARY ITEM AND IS THE PROPERTY OF MICRO SWITCH, A DIVISION OF HONEYWELL. THIS DRAWING IS NOT TO BE COPIED OR USED WITHOUT THE APPROVAL OF MICRO SWITCH.		THIRD ANGLE PROJECTION	SCALE FULL
CHARACTERISTICS		DO NOT SCALE PRINT	
OPERATING FORCE --- 2 3/4 LB MAX		TOLERANCES	
PRETRAVEL --- .219 MAX (8°)		APPLY TO DESIGN UNITS. CONVERSIONS ARE ONLY FOR REFERENCE UNLESS NOTED OTHERWISE AND 8	
DIFFERENTIAL TRAVEL --- .109 MAX (4°)		NO PLACES	
OVERTRAVEL --- DO NOT OVERTRAVEL MORE THAN 25°		DIM. UNITS	
BASIC SWITCH REPLACEMENT --- DT-2R711-A7		DESIGN UNITS	
ELECTRICAL DATA		US CUSTOMARY	
CONTACT ARRANGEMENT D P D T		WEIGHT	
10A-125 OR 250 VAC 0.3A-125 VDC; 0.15A-250 VDC CODE L59			

- NOTES
- (8) MOUNTING SCREW HOLES, 10-32 UNF-2B THREADS X .219 REF
 - EXPLOSION PROOF - UNDERWRITERS' LAB. INC. LISTED FOR HAZARDOUS LOCATIONS NEMA 7, CLASS I, GROUPS B, C AND D, NEMA 9, CLASS II, GROUPS E, F AND G.
 - COMMON LEADS - BLACK, NC LEADS - RED, NO LEADS - BLUE, GROUND LEAD - GREEN
 - EUROPEAN HAZARDOUS LOCATIONS DESIGNATION: EEx dIIB + H2 T6 CATAGORY II 2 G
 - SEAL RATING : NEMA 1
 - EXTERNAL GROUND SCREW MAY BE ASSEMBLED TO ANY UNUSED MOUNTING SCREW HOLE
 - ASSEMBLY PROVIDED SPLIT LOCKWASHER BETWEEN GROUND LUG AND HOUSING