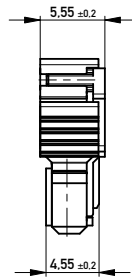
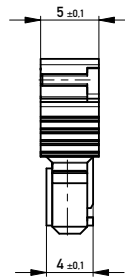


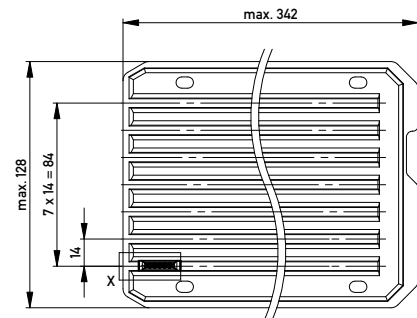
Abdeckung vorverrastet
cover loose mounted



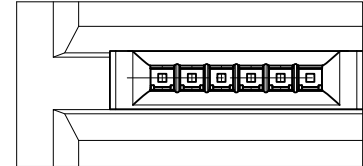
Abdeckung verpresst
cover pressed on



Verpackt in Tray - tray packaging
Verpackungseinheit 98 Stück - packaging unit 98



Einzelheit X
detail X



254706		rot red	4.2	3.0	4.8	2.4	
254705		grün green	3.0	4.2	3.6	3.6	
254704		blau blue	1.8	5.4	2.4	4.8	
254703		schwarz black	0.6	6.6	1.2	6.0	
Ident-Nr. part-no.	Codierung coding	Farbe color	A	B	C	D	Bemerkung note

Information:	Tolerances		Scale	3:1
All rights reserved. Only for information. To ensure that this is the latest version of this drawing, please contact one of the ERNI companies before using.	Subject to modification without prior notice. Drawing will not be updated.	All Dimensions in mm	Designation	
			F 2.54 SRC-A, 6-polig	
ERNI www.ERNI.com		224911		I
A	30.06.2008	Class		A3
Index	Date	Class		SRCBUG

Copyright © ERNI GmbH
Programmiert nach DIN EN ISO 15024-1 to be observed.