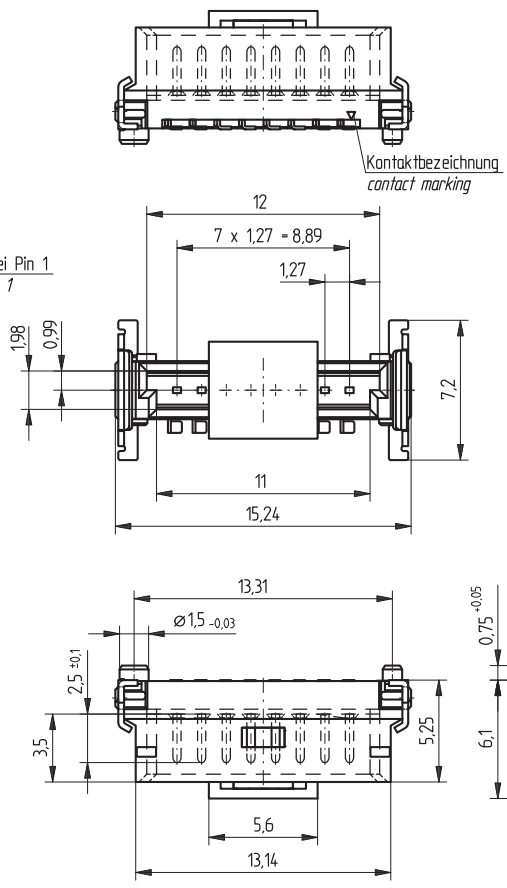
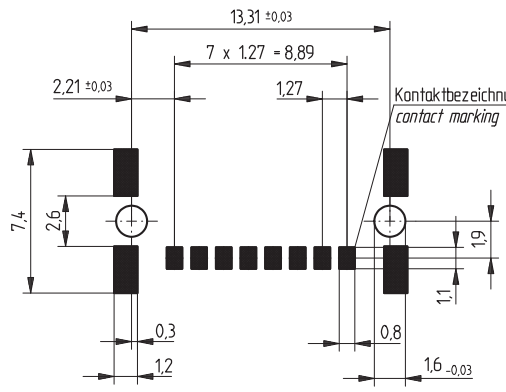
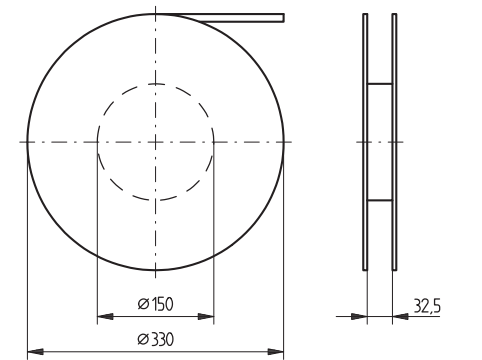


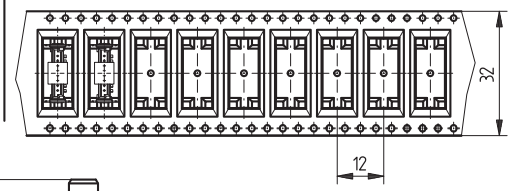
Leiterplatten-Layout Vorschlag für SMT
PCB-Layout Proposal for SMT



Verpackt in Gurtverpackung - Tape on Reel Packaging
Verpackungseinheit: 700 Stück - Packaging unit: 700 pcs



Abspulrichtung - Reel off Direction



Information: All rights reserved. Only for information. To insure that this is the latest version of this drawing, please contact one of the ERNI companies before using.	Tolerances All Dimensions in mm	Scale 5:1
	Subject to modification without prior notice. Drawing will not be updated.	Designation 1,27 SRC P, 8-polig 1,27 SRC P, 8-pin
www.ERNI.com	214019	
Date 27.08.2007	Date H:00063354, SZA	SRCP

Consider protection memo from DIN 34.