



Size 6x6 mm

Rated inductance 1 μH .. 1000 μH

Construction

- Ferrite core
- Winding: enamel copper wire
- Winding welded to terminals

Features

- Wide temperature range
- High rated current
- Low DC resistance
- Suitable for reflow soldering

Applications

- Filtering of supply voltages
- Coupling, decoupling
- DC/DC converters
- Automotive electronics

Terminals

- Leadfree tinned

Marking

Marking on component:

Manufacturer

L value (in μH) and tolerance (coded)

date code

Minimum marking on reel:

Manufacturer, part number, ordering code,

L value and tolerance

quantity, date of packing

Delivery mode

Blister tape 12mm, reel packing

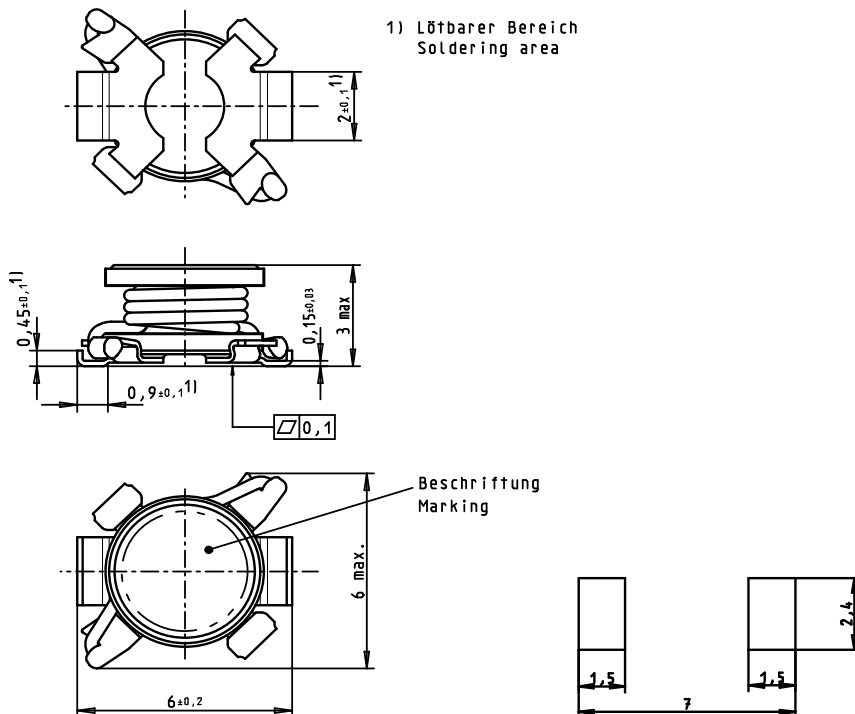
packaging quantity 2500 pcs per reel

SMD

General technical data

Rated inductance L_R	Measured with HP 4294A, measuring voltage 100 mV
Rated current I_R	Maximum permissible DC with temperature increase of ≤ 40 K at ambient temperature of 85 °C
Saturation current	Maximum permissible DC with inductance decrease $\Delta L/L_0 \approx 10\%$
Climatic category	In accordance with IEC 60068-1 55/125/56 (-55 °C/ +125 °C/ 56 days damp heat test)
Solderability	5s, 235°C, wetting > 90%
Resistance to soldering heat	acc. to IEC 60068-2-58, leadfree reflow soldering profile
DC resistance R_{max}	Measured at 20 °C ambient temperature
Self-resonance frequency f_{res}	Measured with network analyzer HP 8753
Weight	Approx. 0,75g

Dimensional drawing and layout recommendation





Characteristics and ordering codes

L_R μH	f_L MHz	Tolerance	I_R A	I_{sat} A	R_{max} Ω	$f_{res,min}$ MHz	Ordering code
1,0	0,1	20 %	3,00	5,8	0,024	130	B82462-A4102-M
1,5	0,1	20 %	2,60	4,6	0,030	90	B82462-A4152-M
2,2	0,1	20 %	2,30	3,8	0,042	76	B82462-A4222-M
3,3	0,1	20 %	2,00	3,2	0,060	60	B82462-A4332-M
4,7	0,1	20 %	1,65	2,8	0,080	50	B82462-A4472-M
6,8	0,1	20 %	1,40	2,3	0,10	40	B82462-A4682-M
10	0,1	20 %	1,15	1,8	0,14	32	B82462-A4103-M
15	0,1	10 %	0,90	1,5	0,21	25	B82462-A4153-K
22	0,1	10 %	0,80	1,28	0,26	21	B82462-A4223-K
33	0,1	10 %	0,63	1,04	0,42	15	B82462-A4333-K
47	0,1	10 %	0,54	0,82	0,64	12	B82462-A4473-K
68	0,1	10 %	0,43	0,69	0,86	10	B82462-A4683-K
100	0,1	10 %	0,35	0,57	1,28	9,0	B82462-A4104-K
150	0,1	10 %	0,29	0,49	1,76	7,5	B82462-A4154-K
220	0,1	10 %	0,24	0,40	2,72	6,0	B82462-A4224-K
330	0,1	10 %	0,20	0,34	3,90	5,0	B82462-A4334-K
470	0,1	10 %	0,17	0,28	5,60	4,0	B82462-A4474-K
680	0,1	10 %	0,14	0,23	8,00	3,2	B82462-A4684-K
1000	0,1	10%	0,11	0,18	13,0	2,8	B82462-A4105-K

