

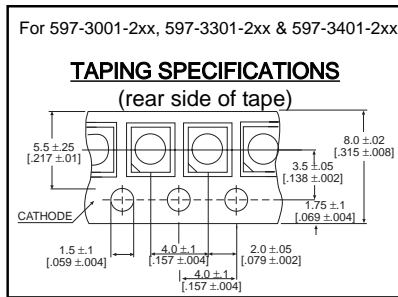
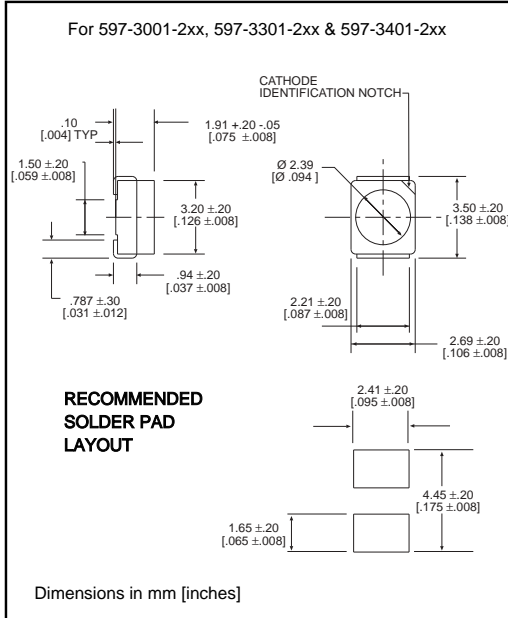
microLED®

Surface Mount LED

Dialight

597-3xx1-2xx

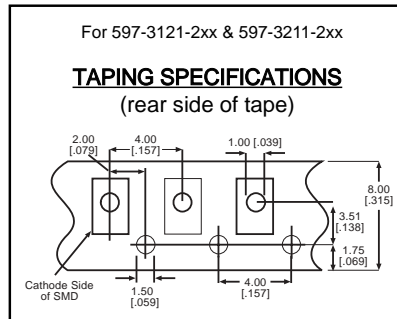
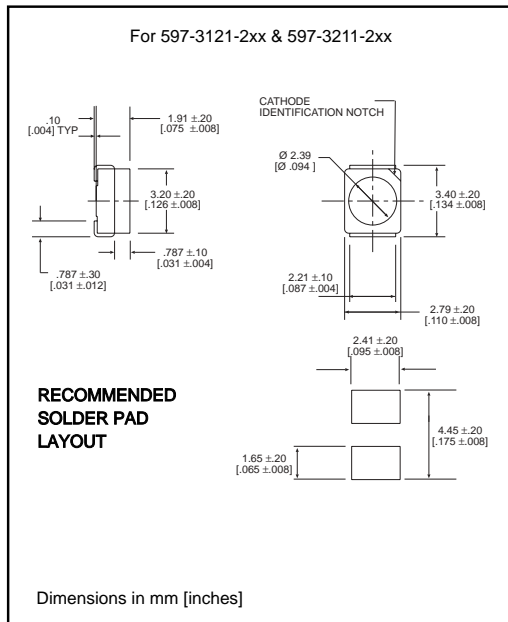
1



<u>PART NO.*</u>	<u>COLOR</u>
597-3001-2xx	Red
597-3121-2xx	AlGaAs Red
597-3211-2xx	Orange
597-3301-2xx	Green
597-3401-2xx	Yellow

Features

- Compatible with automatic placement equipment
- Compatible with infrared reflow processes
- Packaged on 8mm tape, 7" reels (meets EIA-481-1 standard)
- Helps to eliminate mixed technology PC board processing
- Compatible with Dialight's Optopipe™ Series light pipes



***ORDERING INFORMATION**

597-3xx1-2xx

packaging option

02	20 pieces on tape
07	7" reel, 2000 pcs/reel

597-3xx1-2xx

ABSOLUTE MAXIMUM RATINGS ($T_A=25^\circ\text{C}$)	Red -3001	AlGaAs Red -3121	Green -3301	Orange -3211	Yellow -3401
Power Dissipation (mW)	100	100	100	100	60
Forward Current (mA)	30	30	30	30	20
Derating (mA/°C) <i>From 25°C</i> <i>From 55°C</i>	.4	.66*	.4	.66*	.25
Peak Current (mA) <i>Pulse width = 100 μs</i> <i>*Pulse width = 10 μs</i>	120	500*	120	500*	80
Operating Temperature (°C)	-55/+85	-55/+100	-55/+85	-55/+100	-55/+85
Storage Temperature (°C)	-55/+100	-55/+100	-55/+100	-55/+100	-55/+100
Soldering Profile	235°C peak 15 seconds, 185° for 90 seconds				

Solder Adherence per MIL-STD-202E, Method 208C

OPERATING CHARACTERISTICS ($T_A=25^\circ\text{C}$)		Red -3001	AlGaAs Red -3121	Green -3301	Orange -3211	Yellow -3401
Luminous Intensity (mcd) $I_F=10\text{mA}$	Min.	4	10	4	6.3	4
	Typical	10	20	10		7
Peak Wavelength (nm) λ_{Peak}	Typical	630	660	565	610	585
Viewing Angle ($2\theta_{1/2}$)	Typical	120°	120°	120°	120°	120°
Forward Voltage (V) $I_F=20\text{mA}$ $*I_F=10\text{mA}$	Typical	2	1.75*	2.1	2*	2.1
	Max.	2.8	2.6*	2.8	2.6*	2.8
Reverse Voltage (V), $I_R=10\mu\text{A}$	Min.	5	5	5	5	5

$\theta_{1/2}$ is the off axis angle at which the luminous intensity is half the axial luminous intensity

