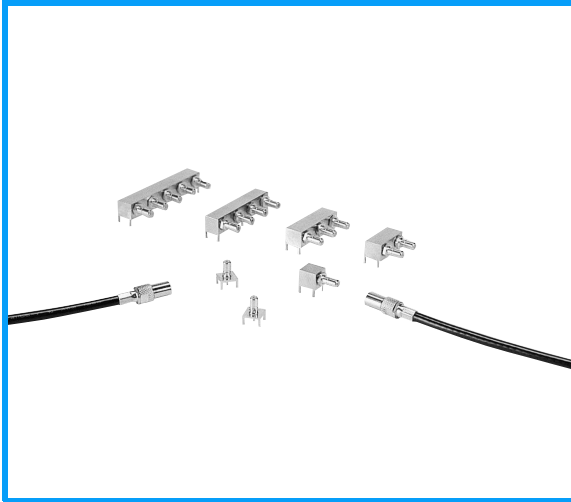


SSMB75 Series

75 Ω SSMB Type Connectors



- SSMB75 series are connectors for 75 Ω group of SSMB series (50 Ω group).
- DDK's originally developed 75 Ω group connectors are super mini-size push-on type.
- Strong against distortion by application of closed entry structure.
- Receptacles (L type for print base) are available, i.e., 1–5 rows.
- Not intermateable with SSMB series.
- Widely used for test instruments, broadcasting equipment, CATV and HDTV, etc.

SPECIFICATION

| | |
|---------------------------------|--------------------------------|
| Characteristic Impedance | 75 Ω |
| Dielectric withstanding voltage | 500V AC (rms) for 1 minute |
| Insulation resistance | 1000M Ω min. at 500V DC |
| Contact resistance | 10m Ω max. |
| VSWR | 1.3max. at 1GHz |

Specifications depends on each connector although these are basic specifications.

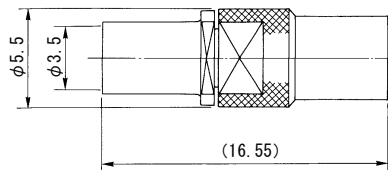
MATERIAL/FINISH

| | |
|------------------|---------------------------|
| Shell (Body) | Copper alloy/Gold plating |
| Contact (male) | Copper alloy/Gold plating |
| Contact (female) | Copper alloy/Gold plating |
| Insulators | PTFE |

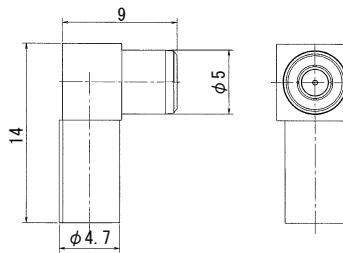
The performance may differ depending on the specification.

Unit : mm

■ Plug

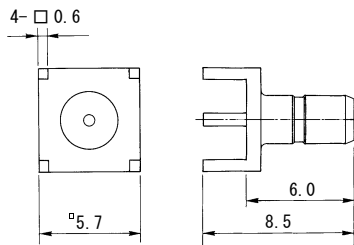


| P/N | Applicable Cable | Hand Crimp Tool P/N |
|-----------------------|------------------|---------------------|
| SSMB75-SP-1.5CCA-EXBV | 1.5CCA-EXBV | CR-H-1101 |

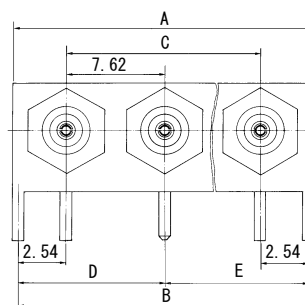
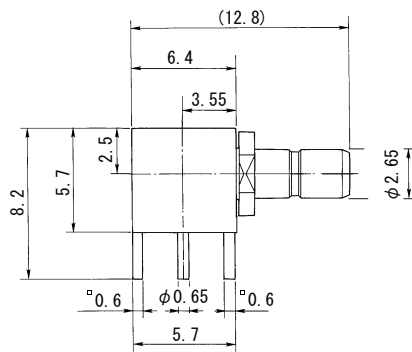


| P/N | Applicable Cable | Hand Crimp Tool P/N |
|---------------------|------------------|---------------------|
| SSMB75-LP-1.5CW-CR1 | 1.5C-QEW | |
| | 1.5C-2W | |

■ Receptacle

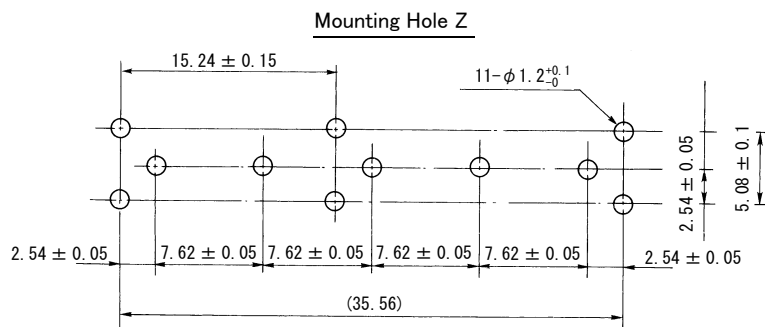
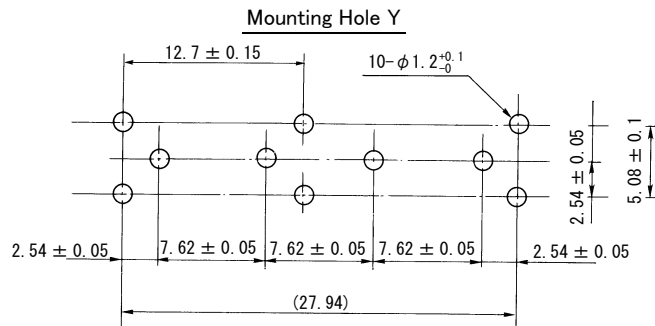
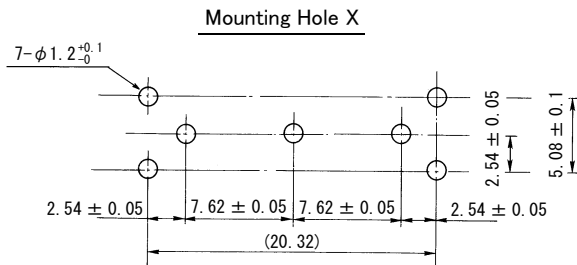
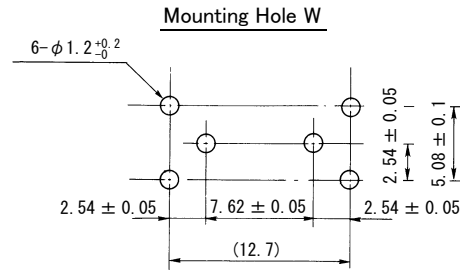
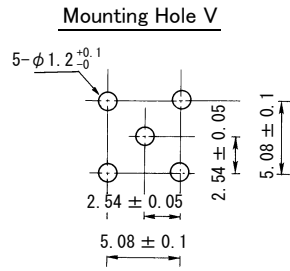


| P/N | Mounting Hole |
|--------------|---------------|
| SSMB75-SR-PC | V |



| P/N | A | B | C | D | E | Mounting Hole |
|----------------|-------|-------|-------|-------|-------|---------------|
| SSMB75-LR-PC | 5.70 | 5.08 | - | - | - | V |
| SSMB75-LR-PC-2 | 13.30 | 12.70 | 7.62 | - | - | W |
| SSMB75-LR-PC-3 | 20.92 | 20.32 | 15.24 | - | - | X |
| SSMB75-LR-PC-4 | 28.54 | 27.94 | 22.86 | 12.70 | 15.24 | Y |
| SSMB75-LR-PC-5 | 36.16 | 35.56 | 30.48 | 15.24 | 20.32 | Z |

PCB Mounting Dimensions



Pull-out Tool

P/N:18M-SSMB75-11897
 (Applicable SSMB75-LP-1.5CCA-EXBV)