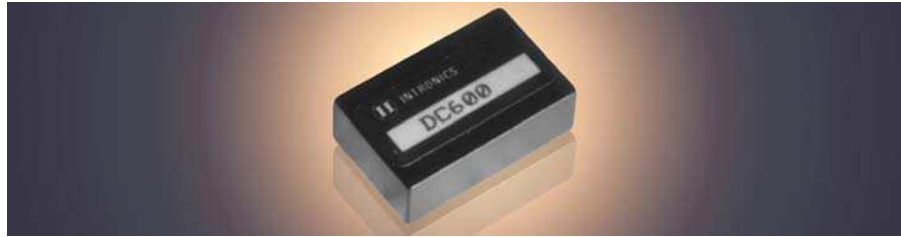


DC 600 SERIES

3.0 WATT
SINGLE & DUAL OUTPUT
DC-DC CONVERTERS



FEATURES

- DIP and SMD Package Options
- Fully Regulated
- Low Output Ripple and Noise
- High Reliability
- Input/Output Isolation

INPUT SPECIFICATIONS

Input Voltage: 5, 12, 24, 48V

Input Filter: Capacitor

Continuous short circuit protection

OUTPUT SPECIFICATIONS

Output Voltage: 3.3, 5, 12, 15V

Voltage Accuracy: $\pm 3\%$

Line Regulation: $\pm 0.5\%$

Load Regulation (Max): $\pm 1\%$

Temperature Coefficient: $+ .05\%/^{\circ}\text{C}$

Ripple and Noise: $<1\%$ mVp-p

(20 MHz Bandwidth) See Note (1)

Short Circuit Protection: Continuous

GENERAL SPECIFICATIONS

Efficiency: 70% to 80%

Isolation Voltage: 500 VDC

Operating Temperature: -25°C to 71°C

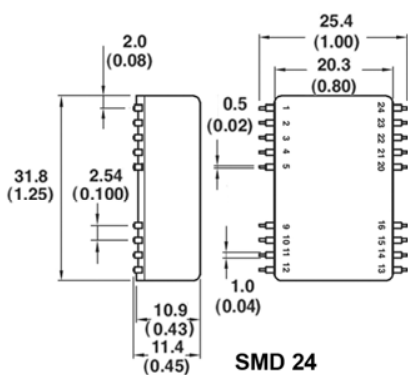
Storage Temperature: -40°C to 100°C

Case Type: Non Conductive Plastic

DIP or SMD

Note (1): With a 10uf tantalum capacitor across Output.

| MODEL NUMBER | | INPUT VOLTAGE | OUTPUT VOLTAGE | OUTPUT CURRENT |
|--------------|--------|---------------|------------------|--------------------|
| DC-601 | SINGLE | 4.5-6.0V | 5V | 600mA |
| DC-602 | | 4.5-6.0V | 12V | 250mA |
| DC-603 | | 4.5-6.0V | 15V | 200mA |
| DC-604 | | 4.5-6.0V | 3.3V | 600mA |
| DC-611 | | 9-18V | 5V | 600mA |
| DC-612 | | 9-18V | 12V | 250mA |
| DC-613 | | 9-18V | 15V | 200mA |
| DC-614 | | 9-18V | 3.3V | 600mA |
| DC-621 | | 18-36V | 5V | 600mA |
| DC-622 | | 18-36V | 12V | 250mA |
| DC-623 | | 18-36V | 15V | 200mA |
| DC-624 | | 18-36V | 3.3V | 600mA |
| DC-631 | | 36-72V | 5V | 600mA |
| DC-632 | | 36-72V | 12V | 250mA |
| DC-633 | 36-72V | 15V | 200mA | |
| DC-634 | 36-72V | 3.3V | 600mA | |
| DC-607 | DUAL | 4.5-6.0V | $\pm 5\text{V}$ | $\pm 300\text{mA}$ |
| DC-608 | | 4.5-6.0V | $\pm 12\text{V}$ | $\pm 125\text{mA}$ |
| DC-609 | | 4.5-6.0V | $\pm 15\text{V}$ | $\pm 100\text{mA}$ |
| DC-617 | | 9-18V | $\pm 5\text{V}$ | $\pm 300\text{mA}$ |
| DC-618 | | 9-18V | $\pm 12\text{V}$ | $\pm 125\text{mA}$ |
| DC-619 | | 9-18V | $\pm 15\text{V}$ | $\pm 100\text{mA}$ |
| DC-627 | | 18-36V | $\pm 5\text{V}$ | $\pm 300\text{mA}$ |
| DC-628 | | 18-36V | $\pm 12\text{V}$ | $\pm 125\text{mA}$ |
| DC-629 | | 18-36V | $\pm 15\text{V}$ | $\pm 100\text{mA}$ |
| DC-637 | | 36-72V | $\pm 5\text{V}$ | $\pm 300\text{mA}$ |
| DC-638 | | 36-72V | $\pm 12\text{V}$ | $\pm 125\text{mA}$ |
| DC-639 | | 36-72V | $\pm 15\text{V}$ | $\pm 100\text{mA}$ |

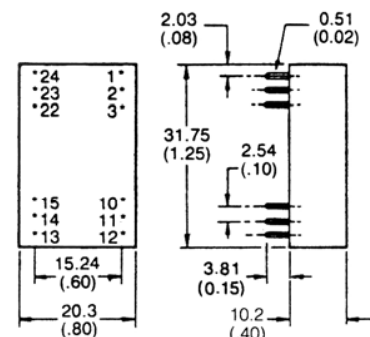


SMD 24

PIN CONNECTIONS:

| PIN | SINGLE | | DUAL | |
|---------|----------|-----|----------|-----|
| | DIP | SMD | DIP | SMD |
| 1 & 24 | + INPUT | | +INPUT | |
| 2 & 23 | NC | | - OUTPUT | |
| 3 & 22 | NC | | COMMON | |
| 10 & 15 | - OUTPUT | | COMMON | |
| 11 & 14 | + OUTPUT | | + OUTPUT | |
| 12 & 13 | -INPUT | | - INPUT | |
| 4 | NO PIN | NC | NO PIN | NC |
| 5 | NO PIN | NC | NO PIN | NC |
| 9 | NO PIN | NC | NO PIN | NC |
| 16 | NO PIN | NC | NO PIN | NC |
| 20 & 21 | NO PIN | NC | NO PIN | NC |

NC: No Connection



DIP 24