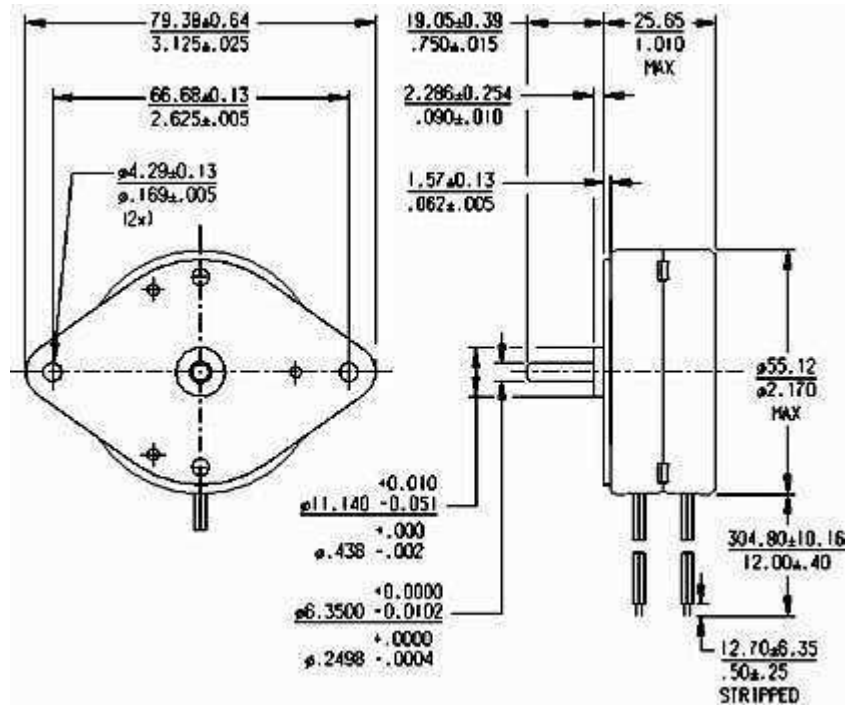


55M048D1U

Full View



Product Data

Dimensions

[Full View](#)

Electrical

[Wiring](#)

[Schematic](#)

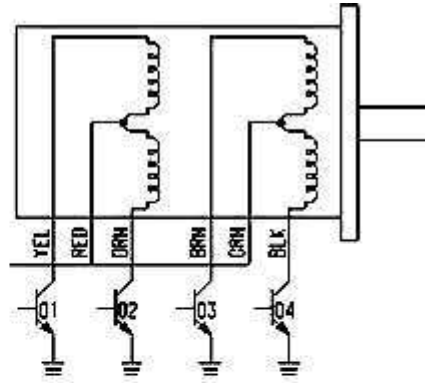
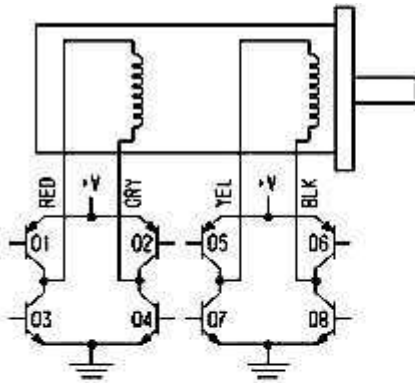
Performance

[Speed Torque](#)

[Curves](#)

| | |
|---|--|
| PartNumber | 55M048D1U |
| DC Operating Voltage | 5 |
| Res Per Winding (Ohms) | 5.2 |
| Ind per Winding mH | 4.9 |
| Holding Torque mN*m/oz-in | 102.4/14.5 |
| Rotor Moment of Inertia (g*m ²) | 5.4E-3 |
| Detent Torque mN*m/oz-in | 22.6/3.2 |
| Step Angle | 7.5° |
| Step Angle Tolerance | ±.5° |
| Steps per Rev | 48 |
| Max Operating Temp | 100°C |
| Ambient Temp Range Operating | -20°C t o 70°C |
| Ambient Temp Range Storage | -40°C t o 85°C |
| Bearing Type | Sintered Bronze sleeve |
| Insulation Res at 500Vdc | 100 megohms |
| Dielectric Withstanding Voltage | 650 ± 50 VRMS 50 Hz for 1 to 2 seconds |
| Weight g/oz | 238 g/8.4 oz |
| Lead Wires | 26 AWG, UL 1430 |

*Measured with 2 phases energized



- Product Data
- Dimensions
- Full View
- Electrical
- Wiring Schematic
- Performance
- Speed Torque Curves

BIPOLAR

| STEP | 01-04 | 02-03 | 05-08 | 06-07 |
|------|-------|-------|-------|-------|
| 1 | ON | OFF | ON | OFF |
| 2 | ON | OFF | OFF | ON |
| 3 | OFF | ON | OFF | ON |
| 4 | OFF | ON | ON | OFF |
| 1 | ON | OFF | ON | OFF |

CCW ROTATION (downward arrow) and CW ROTATION (upward arrow) are indicated on the sides of the table.

UNIPOLAR

| STEP | 01 | 02 | 03 | 04 |
|------|-----|-----|-----|-----|
| 1 | ON | OFF | ON | OFF |
| 2 | ON | OFF | OFF | ON |
| 3 | OFF | ON | OFF | ON |
| 4 | OFF | ON | ON | OFF |
| 1 | ON | OFF | ON | OFF |

CCW ROTATION (downward arrow) and CW ROTATION (upward arrow) are indicated on the sides of the table.

