

SP2T

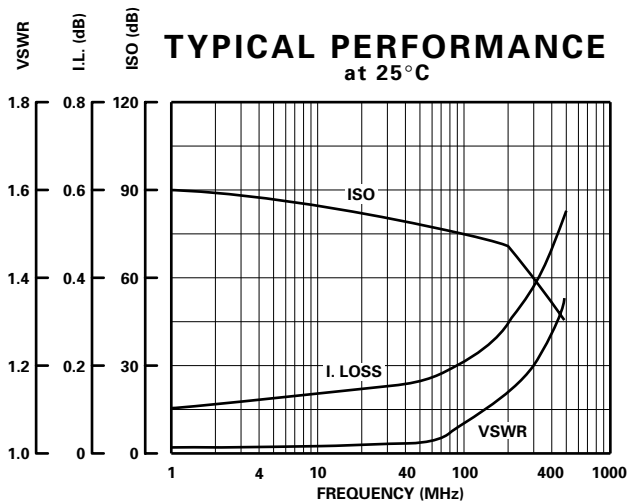
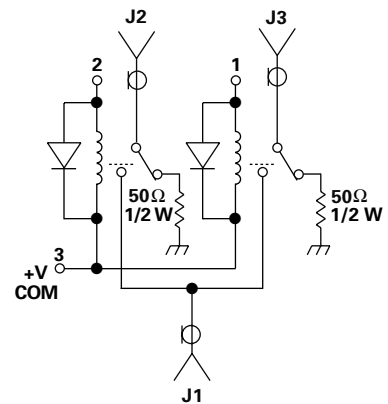
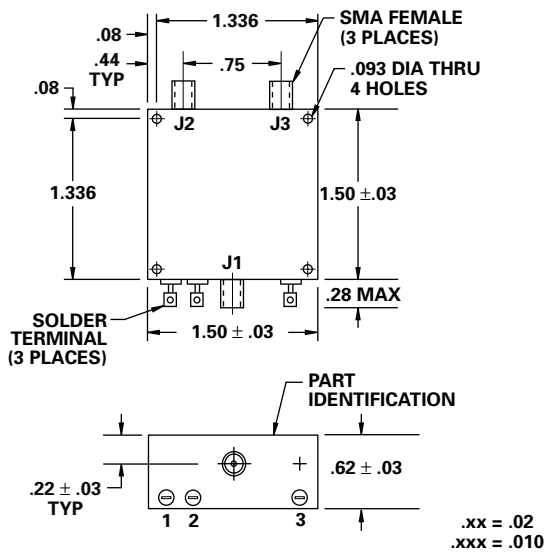
## FEATURES

- DC - 450 MHz
- 50Ω or 75Ω Terminations
- 20 Watts CW
- SMA Connectors
- Diode Suppression of Switching Transients



# MODEL NO. 100C0611

## SP2T Relay



## GUARANTEED PERFORMANCE

Parameter	Min	Typ	Max	Units	Conditions
Operating Frequency	DC		450	MHz	
DC Voltage					See Table
Insertion Loss		0.1	0.2	dB	DC - 50 MHz
		0.3	0.35	dB	50 - 250 MHz
		0.5	0.60	dB	250 - 450 MHz
Isolation	70	80		dB	DC - 50 MHz
	55	65		dB	50 - 250 MHz
	45	50		dB	250 - 450 MHz
VSWR	Thru	1.05/1	1.15/1		DC - 50 MHz
		1.15/1	1.2/1		50 - 250 MHz
		1.3/1	1.4/1		250 - 450 MHz
Impedance		50		OHMS	
Switching Speed			5	mSEC	
RF Power	Operate		20	W	CW
Operating Temperature	-55	+25	+85	°C	TA

**PART NO. EXAMPLE**  
**100C0611 - 6 - F/S - R - 75**

Basic Part Number: 100C0611

Dash No. for Coil Voltage (See Table): 6

"F/S" for Failsafe J1 to J2 omit for Standard.

Add for 75 Ω Termination. Omit for 50 Ω Termination.

For Reverse Polarity of Diodes. Omit for Standard. See Schematic for Standard.

Voltage	Current - Typical
6	65 mA
12	32 mA
18	21 mA
26	17 mA