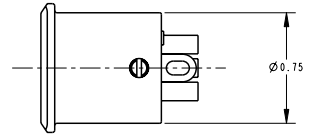


NOTES:  
1. ALL DIMENSIONS REF. UNLESS OTHERWISE SPECIFIED.



**STANDARD SERIES**

SCREW - STAINLESS STEEL  
HOUSING - ZINC, NICKEL PLATED  
SOLDER TERMINAL - BRASS, ELECTRO TIN PLATED  
INSULATOR - POLYESTER, GREEN (UL94V-0)  
CONTACT PIN - BRASS, SILVER PLATED

CONTACT PLATING  
BLANK = SILVER (STANDARD)  
AU = GOLD

HOUSING FINISH  
BLANK = NICKEL PLATE (STANDARD)  
B = BLACK  
S = SANDED

NO. OF CONTACTS:  
3 = 3 CONTACTS  
4 = 4 CONTACTS  
5 = 5 CONTACTS  
6 = 6 CONTACTS  
7 = 7 CONTACTS

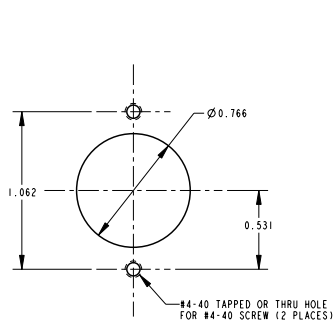
---

**PROFESSIONAL SERIES**

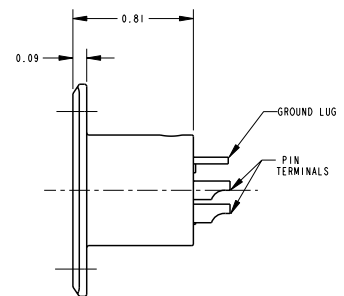
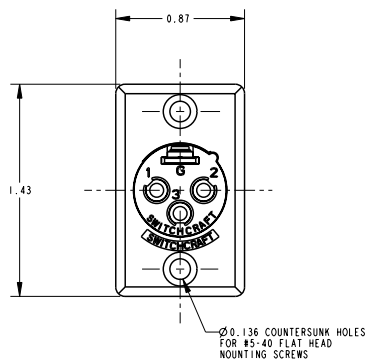
SAME AS ABOVE EXCEPT  
CONTACT PIN - PHOSPHOR BRONZE, GOLD OVER NICKEL

OGP = 63

NO. OF CONTACTS:  
3 = 3 CONTACTS  
4 = 4 CONTACTS  
5 = 5 CONTACTS  
6 = 6 CONTACTS  
7 = 7 CONTACTS



RECOMMENDED  
PANEL CUT-OUT



CUSTOMER DRAWING

G	20745	2-22-96	SG	SG	★ STAR SYMBOL DENOTES CRITICAL DIMENSION UNLESS OTHERWISE SPECIFIED	THIS DRAWING DESCRIBES A DESIGN CONSIDERED PROPRIETARY IN NATURE, DEVELOPED AND MANUFACTURED BY SWITCHCRAFT, INC. AND IS RELEASED ON A CONFIDENTIAL BASIS FOR IDENTIFICATION PURPOSES ONLY.	SIZE	WIDTH	MULT	LBS/M	TEMPER
F	20627	1-31-96	SG	SG			1. ALL DIMENSIONS IN INCHES - TWO PLACE DECIMALS ±0.01 - THREE PLACE DECIMALS ±0.005 - ANGLES ±1° - ALL DIA. CONCENTRIC WITHIN 0.005 T.I.R.	FINISH	SCALE 2:1		MATERIAL SPEC No.
E	20543	1-5-96	SG	RR	2. FEATURES ON THE SAME CENTERLINE MUST BE ALIGNED WITHIN ±0.002	DATE DRAWN BY CHD APVD 08-08-98 SG SG 8-15-94 GHJ 8-15-94	FIRST USED ON		Switchcraft®		
K	22838	10-1-99	JL	DG	3. REMOVE ALL BURRS		PART No.		SHEET 1 OF 1		REV K
J	21070	1-15-97	SG	KS		NAME		D SERIES MALE OG		PART No. D-M SERIES	
H	21035	1-15-97	SG	KS		REV					
REV	ECO NUMBER	DATE	BY	APVD	DO NOT SCALE DRAWING						

Pro/Engineer CAD File