

**STANDARD SERIES**

SCREW - STAINLESS STEEL  
 SHELL - STAINLESS STEEL  
 LATCH BUTTON - ZINC, NICKEL PLATED  
 INSULATOR - POLYESTER, GREEN  
 SOLDER TERMINAL - BRASS, ELECTRO TIN  
 LATCH SPRING - STAINLESS STEEL  
 CONTACT PIN - PHOSPHOR BRONZE, SILVER PLATED  
 HOUSING - ZINC  
 RELEASE LEVER - STEEL, NICKEL PLATED

CONTACT PLATING:  
 BLANK = SILVER (STANDARD)  
 AU = GOLD

HOUSING FINISH:  
 BLANK = TEXTURED (STANDARD)  
 S = SANDED

HOUSING PLATING: SEE NOTE 2  
 BLANK = NICKEL PLATE (STANDARD)  
 BX = BLACK R6HS

LATCH TYPE:  
 BLANK = STANDARD LATCHLOCK  
 D = FAS-DIS-CONNECT DETENT (SEE FIGURE 1)  
 (NO LATCH)

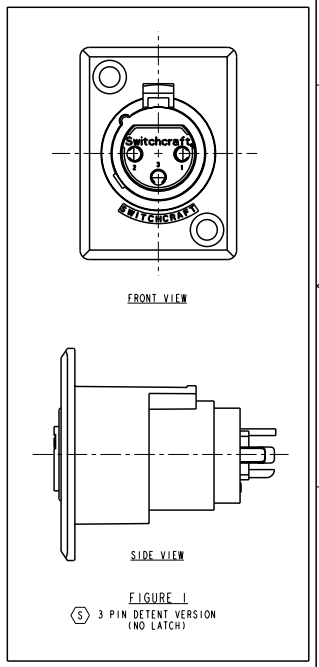
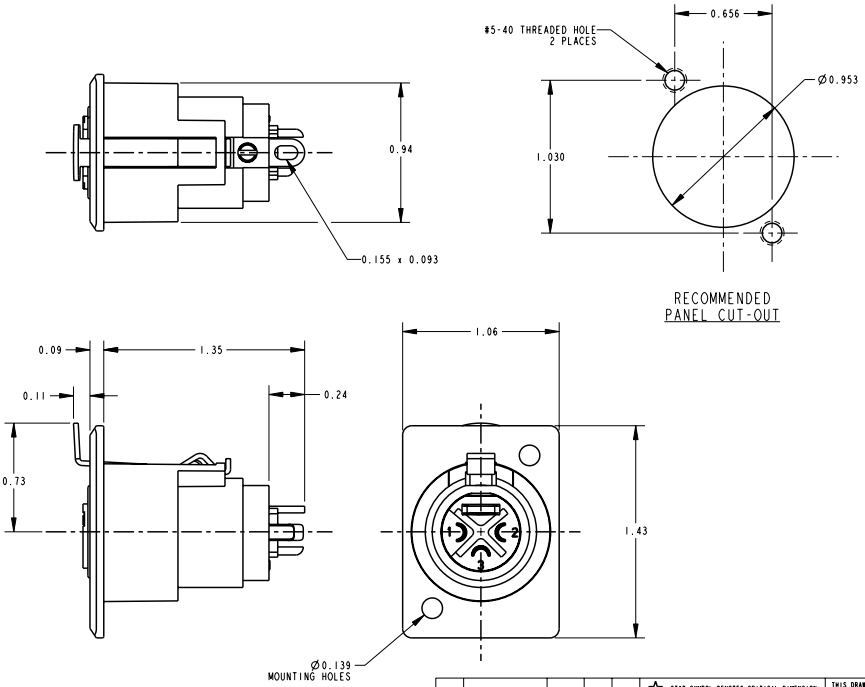
NO. OF CONTACTS:  
 3 = 3 CONTACTS  
 4 = 4 CONTACTS  
 5 = 5 CONTACTS  
 6 = 6 CONTACTS  
 7 = 7 CONTACTS

**PROFESSIONAL SERIES**

HOUSING FINISH - MATTE CHROME  
 CONTACT PLATING - GOLD

OGP 62

NO. OF CONTACTS:  
 3 = 3 CONTACTS



**NOTES:**

- ALL DIMENSIONS REF. UNLESS OTHERWISE SPECIFIED.
- BLACK HOUSING AND INSERT WITH SATIN NICKEL PLATED LATCH.
- THIS PRODUCT IS RoHS COMPLIANT.

REV	ECO NUMBER	DATE	BY	APVD
S	26158	10-4-96	TO	TJK
R	ECO #22895	9-20-99	TJH	TJK

FINISH		MATERIAL	
SPEC No.		SPEC No.	
DATE DRAWN	BY	CHRD	APVD
7-Feb-94	SG	AA	GHJ
FIRST USED ON		SCALE	
		2:1	
NAME		PART No.	
D SERIES FEMALE OGP, RoHS		D.F SERIES	

CUSTOMER DRAWING

Pro/Engineer CAD File