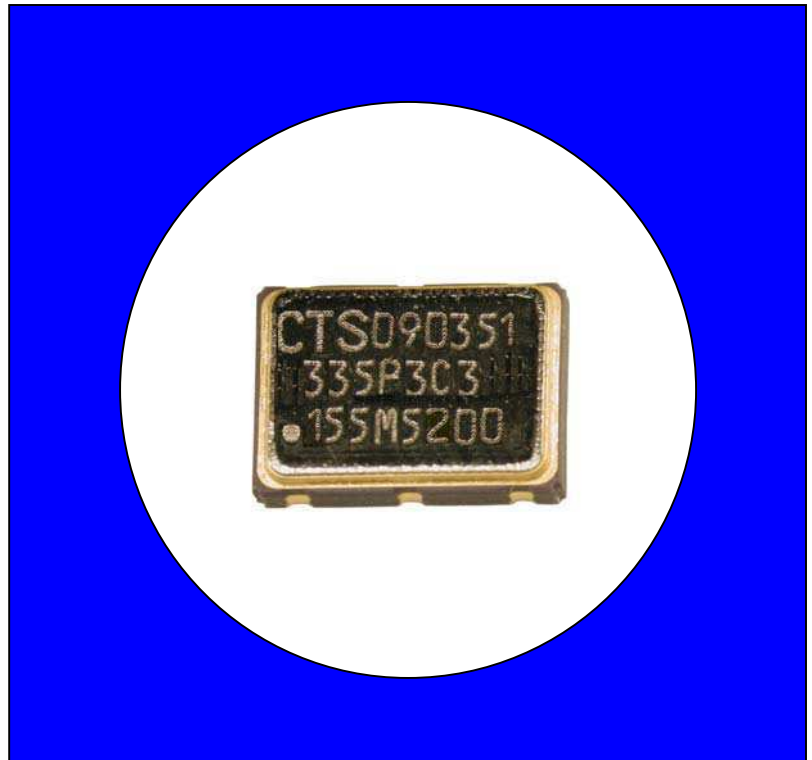


FEATURES

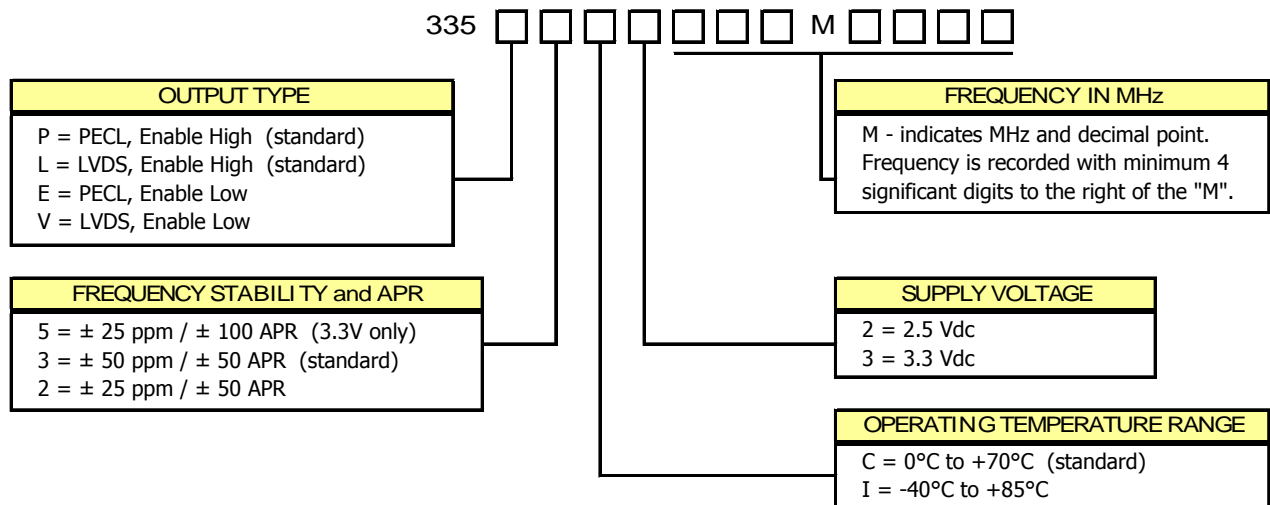
- Standard 7x5mm Surface Mount Footprint
- Differential LVPECL or LVDS Outputs
- Frequency Range 19.44 – 212.50 MHz
- Frequency Stability, ± 50 ppm Standard (± 25 ppm available)
- +2.5Vdc or +3.3Vdc Operation
- Operating Temperature to -40°C to $+85^{\circ}\text{C}$
- Output Enable Standard
- Low Phase Jitter, *NON-Multiplied*
- Tape & Reel Packaging
- **RoHS/ Green Compliant**

DESCRIPTION

The Model 335 is a ceramic packaged Voltage Controlled oscillator offering reduced size and enhanced stability. The small size means it is perfect for any application. The enhanced stability means it is the perfect choice for today's communications applications that require tight frequency control.



ORDERING INFORMATION



Example Part Number: 335P3C3155M5200

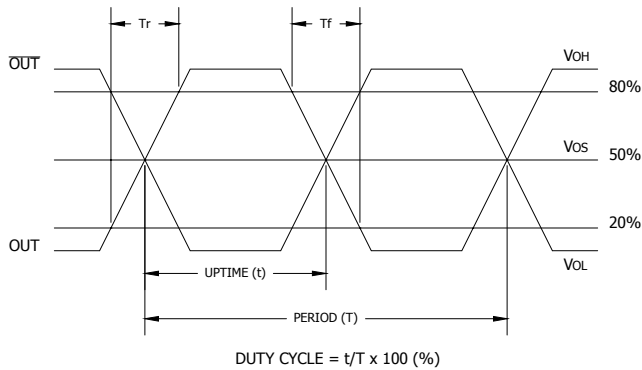
ELECTRICAL CHARACTERISTICS

	PARAMETER	SYMBOL	CONDITIONS	MIN	TYP	MAX	UNIT	
Absolute Maximums	Maximum Supply Voltage	V_{CC}	-	-0.5	-	5.0	V	
	Storage Temperature	T_{STG}	-	-55	-	125	°C	
	Frequency Range LVPECL and LVDS	f_0	-	19.44	-	212.50	MHz	
	Frequency Stability (See Note 1 and Ordering Information)	$\Delta f/f_0$	-	-	-	25, 50	± ppm	
	Absolute Pull Range (See Note 2 and Ordering Information)	APR	-	50, 100	-	-	± ppm	
	Operating Temperature Commercial Industrial	T_A	-	-20 -40	25	70 85	°C	
Electrical and Waveform Parameters	Supply Voltage	V_{CC}	± 5 %	2.38 3.14	2.5 3.3	2.63 3.47	V	
	Supply Current LVPECL LVDS	I_{CC}	Maximum Load	- -	50 25	75 40	mA	
	Control Voltage	V_C	$V_{CC} = 3.3V$	0.0	1.65	3.3	V	
	Frequency Deviation	Δf	25°C at Time of Shipment	-	130	-	± ppm	
	Linearity	L	Best Straight Line Fit	-15	10	15	%	
	Input Impedance	Z_C	-	50	-	-	kOhms	
	Transfer Function	-	-	-	Positive	-	-	
	Start Up Time	T_S	Application of V_{CC}	-	5	10	ms	
	Modulation Roll-off	-	@ -3dB	25	-	-	kHz	
	Phase Jitter	t_{jms}	Bandwidth 12 kHz - 20 MHz	-	-	1	ps RMS	
	Enable Function High Enable Input Voltage Disable Input Voltage	V_{IH} V_{IL}	Pin 2 Logic '1', Output Enabled Pin 2 Logic '0', Output Disabled	0.7* V_{CC} -	- -	- 0.3* V_{CC}	V	
	Enable Function Low Enable Input Voltage Disable Input Voltage	V_{IH} V_{IL}	Pin 2 Logic '0', Output Enabled Pin 2 Logic '1', Output Disabled	0.3* V_{CC}	-	0.7* V_{CC}	V	
	Disable Current	I_{IL}	Pin 1 or Pin 2 Logic '1', Output Disabled	-	-	20	µA	
	Enable Time	T_{PLZ}	Pin 2 Logic '1' or Logic '0'	-	-	10	ms	
	LVPECL WAVEFORM							
	Output Load	R_L	-	-	50	-	Ohms	
	Output Duty Cycle	SYM	@ $V_{CC} - 1.3V$	45	-	55	%	
	Output Voltage Levels Logic '1' Level Logic '0' Level	V_{OH} V_{OL}	PECL Load PECL Load	$V_{CC} - 1.025V$ -	- -	- $V_{CC} - 1.62V$	V	
	Rise and Fall Time	T_R, T_F	@ 20% - 80% Levels	-	0.4	1.0	ns	
	LVDS WAVEFORM							
	Output Load	R_L	-	-	100	-	Ohms	
	Output Duty Cycle	SYM	@ 1.25V	45	-	55	%	
	Differential Voltage	V_{OD}	RL = 100 Ohms	250	350	450	mV	
Output Voltage Levels Logic '1' Level Logic '0' Level	V_{OH} V_{OL}	LVDS Load LVDS Load	- 0.9	- -	1.6 -	V		
Rise and Fall Time	T_R, T_F	@ 20% - 80% Levels	-	0.4	1.0	ns		

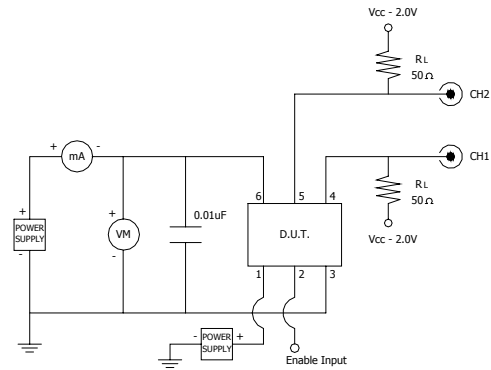
Notes:

- Inclusive of initial tolerance at time of shipment, changes in supply voltage, load, temperature and 10 year aging at an average operating temperature of +40 °C.
- Minimum guaranteed frequency shift from f_0 over variations in temperature, aging, power supply and load at an average operating temperature of +40°C for 10 years.

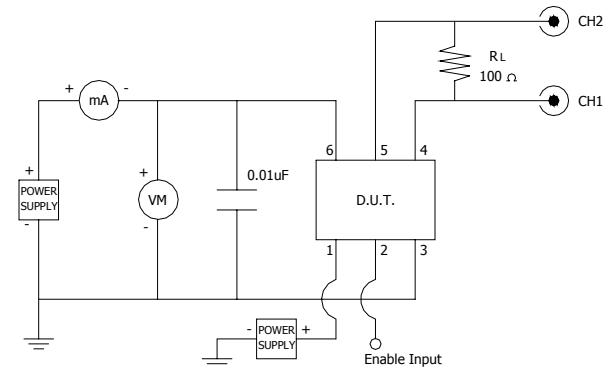
PECL/LVDS OUTPUT WAVEFORM



TEST CIRCUIT, PECL LOAD



TEST CIRCUIT, LVDS LOAD



D.U.T. PIN ASSIGNMENTS

PIN	SYMBOL	DESCRIPTION
1	V_C	Control Voltage
2	EOH	Enable
3	GND	Circuit & Package Ground
4	Output	RF Output
5	Output	Complimentary RF Output
6	V_{CC}	Supply Voltage

ENABLE HIGH TRUTH TABLE

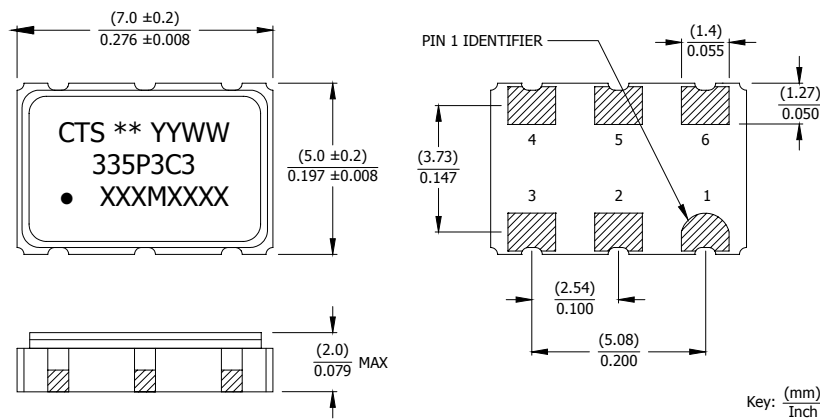
PIN 2	PIN 4 / PIN 5
Logic '1'	Output
Open	Output
Logic '0'	High Imp.

ENABLE LOW TRUTH TABLE

PIN 2	PIN 4 / PIN 5
Logic '1'	High Imp.
Open	Output
Logic '0'	Output

MECHANICAL SPECIFICATIONS

PACKAGE DRAWING



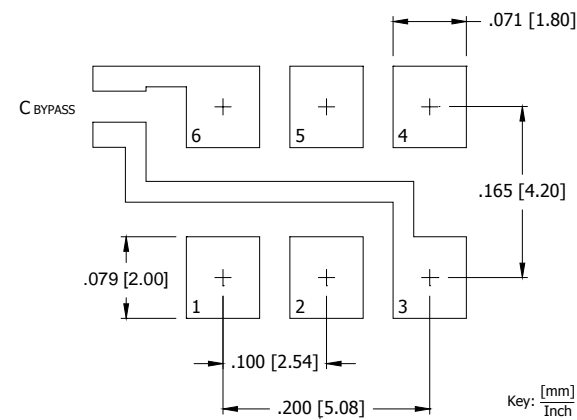
MARKING INFORMATION

- ** - Manufacturing Site Code.
- YYWW - Date code, YY - year, WW - week.
- Truncated CTS part number.
- XXXMXXXX - Frequency marked with 4 significant digits after the 'M'.

Notes

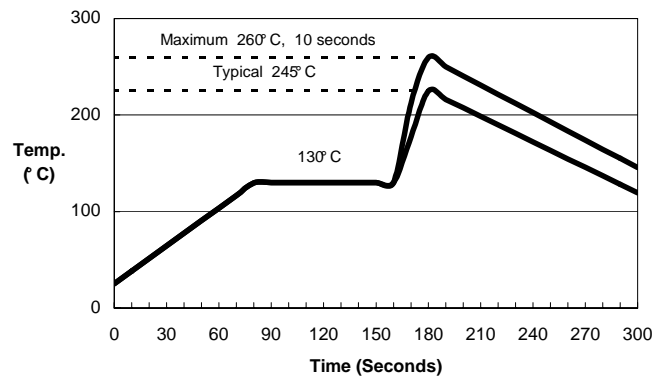
- Termination pads (e4), barrier-plating is nickel (Ni) with gold (Au) flash plate.
- Reflow conditions per JEDEC J-STD-020.

SUGGESTED SOLDER PAD GEOMETRY

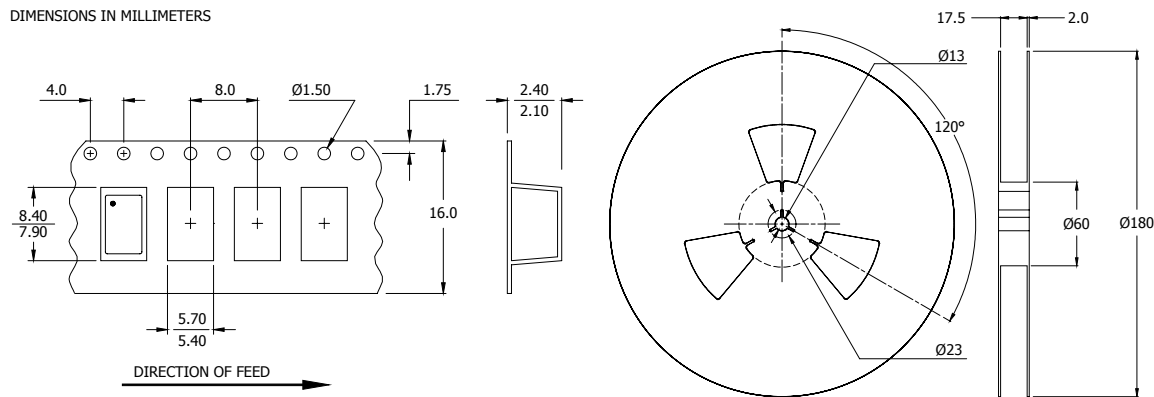


C_{BYPASS} should be ≥ 0.01 uF.

SUGGESTED REFLOW PROFILE



TAPE AND REEL INFORMATION



Device quantity is 1,000 pieces per 180mm reel.

ENVIRONMENTAL SPECIFICATIONS

Temperature Cycle:	400 cycles from -55°C to $+125^{\circ}\text{C}$, 10 minute dwell at each temperature, 1 minute transfer time between temperatures.
Mechanical Shock:	1,500g's, 0.5mS duration, $\frac{1}{2}$ sinewave, 3 shocks each direction along 3 mutually perpendicular planes (18 total shocks).
Sinusoidal Vibration:	0.06 inches double amplitude, 10 to 55 Hz and 20g's, 55 to 2,000 Hz, 3 cycles each in 3 mutually perpendicular planes (9 times total).
Gross Leak:	No leak shall appear while immersed in an FC40 or equivalent liquid at $+125^{\circ}\text{C}$ for 20 seconds.
Fine Leak:	Mass spectrometer leak rates less than 2×10^{-8} ATM cc/sec air equivalent.
Resistance to Solder Heat:	Product must survive 3 reflows of $+260^{\circ}\text{C}$ peak, 10 seconds maximum.
High Temperature Operating Bias:	2,000 hours at $+125^{\circ}\text{C}$, maximum bias, disregarding frequency shift.
Frequency Aging:	1,000 hours at $+85^{\circ}\text{C}$, full bias, less than ± 5 ppm shift.
Moisture Sensitivity Level:	Level 1 per JEDEC J-STD-020.

QUALITY AND RELIABILITY

Quality systems meet or exceed the requirements of ISO 9000:2000 standards.