

Multifunctional Through Hole DIP Switches

Features

Optimized Mechanical Features

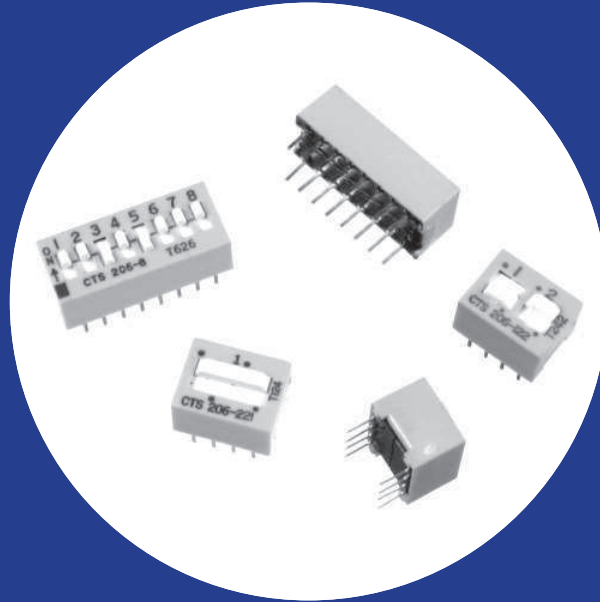
- Standard 2.54mm (.100") x 7.62mm (.300") DIP centers
- Sealed version optional; assures contaminant-free switch operation after wave soldering and cleaning
- Available with low profile, standard, or extended actuators for SPST circuitry.
- Switch contacts elevated above switch base provides dust proof feature.
- Available with SPST, SPDT, DPST, DPDT, 3PST, 4PST circuitry choices.

Optimized Contact System

- Contact wiping action on make and break
- Integral terminal and contact locked into thermoset base
- Electrostatic discharge shield rated to 22 KV

Materials

- Series 206, gold plated contacts for long-term contact corrosion resistance.
- Series 208, tin plated contacts
- UL 94V-0 plastics
- RoHS compliant



Series 206 – Premium Programmable DIP Switch
Series 208 – Economical Programmable DIP Switch

Electrical and Mechanical Specifications

Switch Function

SPST - 1 through 10 and 12 positions
 SPDT&DPST - 1 through 6 positions
 DPDT&4PST - 1 through 3 positions
 3PST - 1 through 4 positions

Switch Contact Resistance

Switch Series	Initial, max.	End of life, max.
206	50 milliohms	100 milliohms
208	100 milliohms	500 milliohms

Insulation Resistance

1,000 megohms minimum between insulated terminals

Dielectric Strength

500 VAC for 1 minute between adjacent switches

Nonswitching Rating

100 mA or 50 VDC maximum

Switch Capacitance

5.0 pF maximum between adjacent closed switches

Operating Temperature

- 55°C to +85°C

Actuation Life

Series 206: 10,000 cycles switching 50 mA @ 24 VDC

Series 208: 2,000 cycles switching 50 mA @ 24 VDC

Allowable Solder Time

Wave soldering up to 5 seconds at 260°C

Vibration

Per MIL-STD-202F, method 204D, condition B(.06" or 15G's between 10HZ to 2 KHZ) with no contact inconsistencies greater than 1 microsecond

Shock

Per MIL-STD-202F, method 213B, condition A(50G's) with no contact inconsistencies greater than 1 microsecond

Sealing

Bottom epoxy seal optional

Top tape seal optional

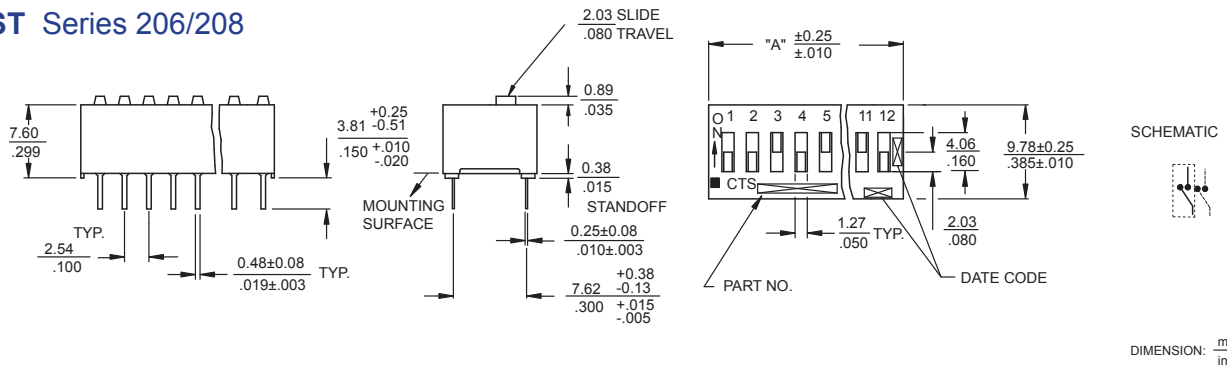
Marking

Special side or top marking available-consult CTS

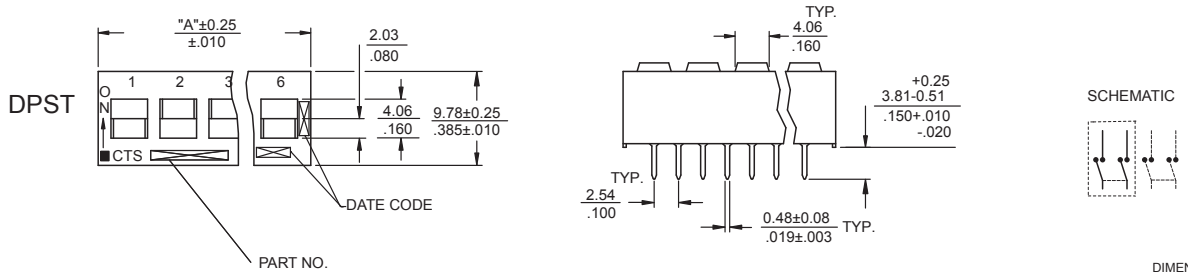
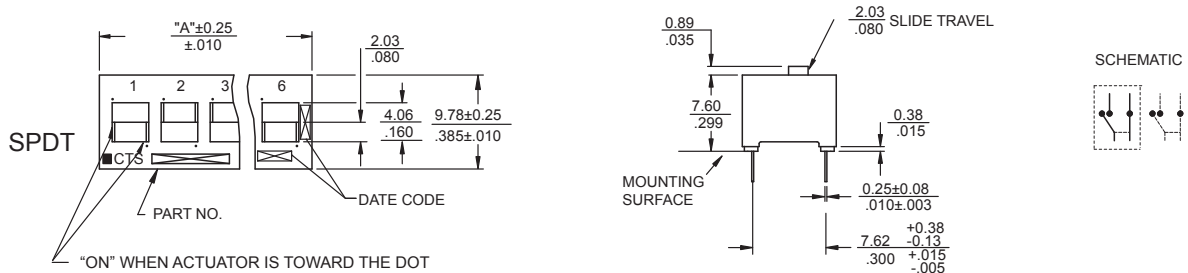
Packaging

Standard : Anti-Static tube packaging

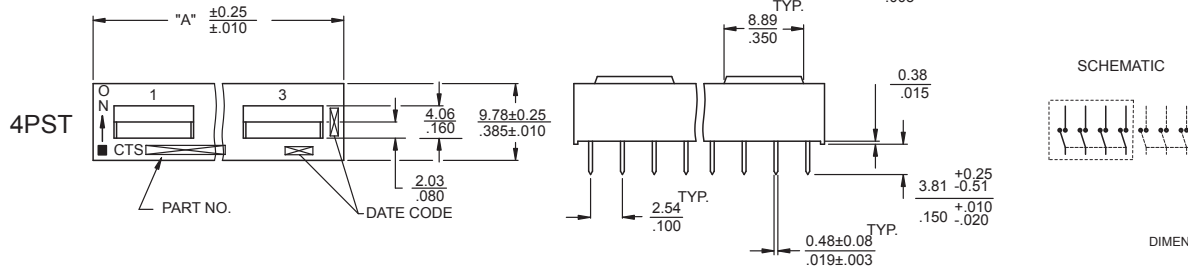
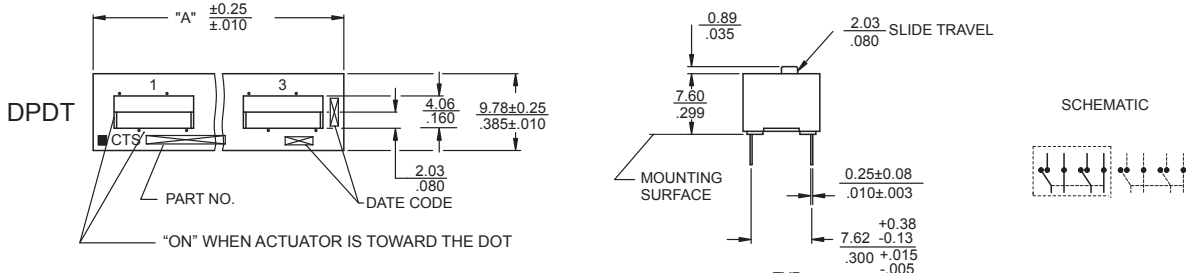
SPST Series 206/208



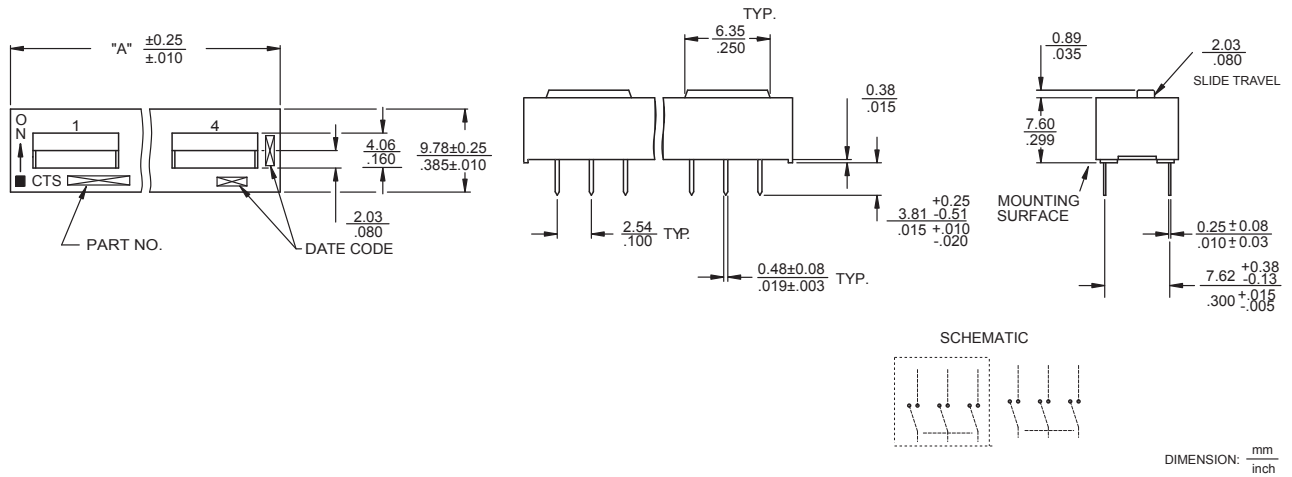
SPDT / DPST Series 206/208



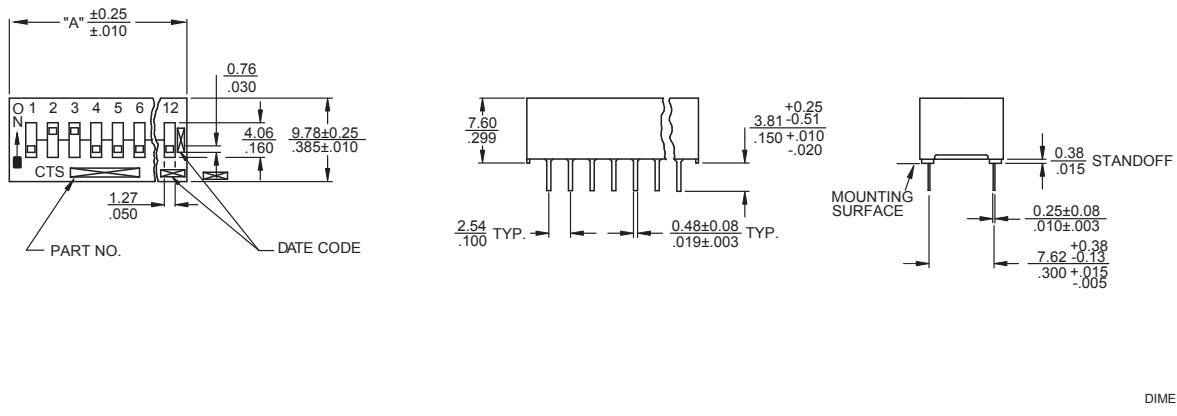
DPDT / 4PST Series 206/208



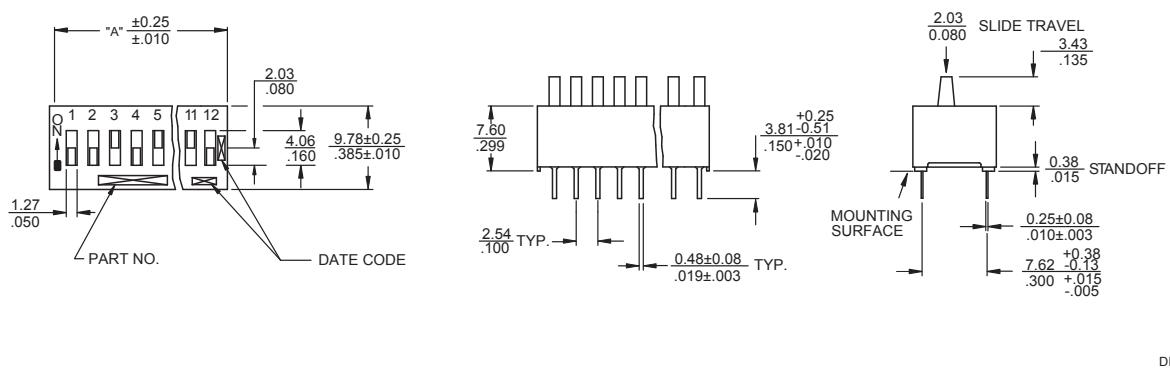
3PST Series 206/208



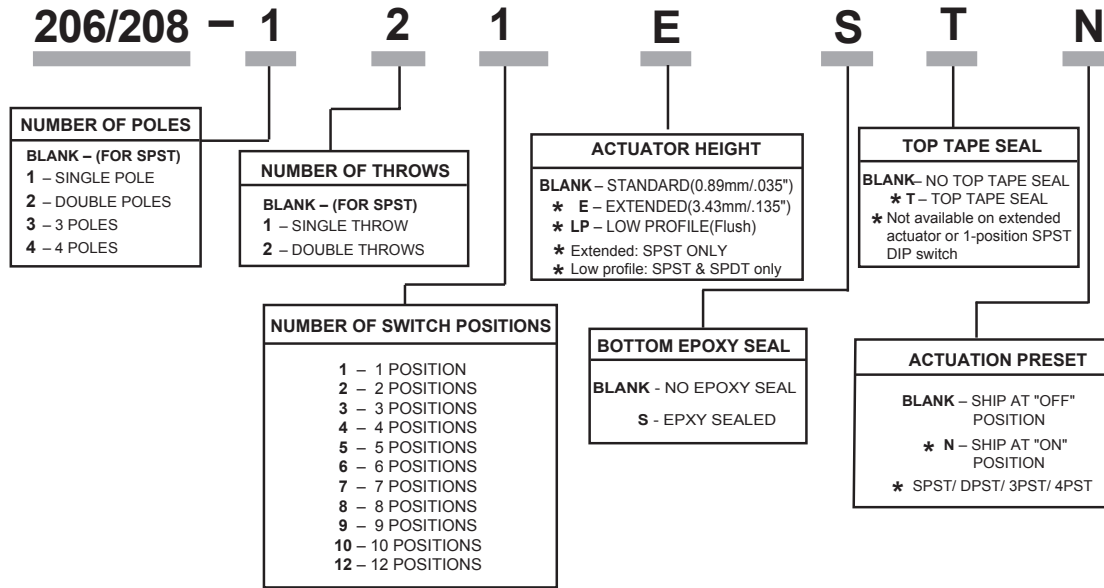
Low Profile Actuators Series 206/208 (SPST & SPDT only)



Extended Actuators Series 206/208 (SPST)



Ordering Information



"A" Overall Dimensions	Number of Switch Positions	Actuation	Part Number	Both Bottom and Top Sealed	Low Profile Both Bottom and Top Sealed
3.96 / .156					
7.26 / .286	2	SPST	206/208-1S	-	-
9.80 / .386	3	SPST	206/208-2	206/208-2ST	206/208-2LPST
12.34 / .486	4	SPST	206/208-3	206/208-3ST	206/208-3LPST
14.88 / .586	5	SPST	206/208-4	206/208-4ST	206/208-4LPST
17.42 / .686	6	SPST	206/208-5	206/208-5ST	206/208-5LPST
19.96 / .786	7	SPST	206/208-6	206/208-6ST	206/208-6LPST
22.50 / .886	8	SPST	206/208-7	206/208-7ST	206/208-7LPST
25.04 / .986	9	SPST	206/208-8	206/208-8ST	206/208-8LPST
27.58 / 1.086	10	SPST	206/208-9	206/208-9ST	206/208-9LPST
32.66 / 1.286	12	SPST	206/208-10	206/208-10ST	206/208-10LPST
			206/208-12	206/208-12ST	206/208-12LPST
7.26 / .286	1	SPDT	206-121	206-121ST	206/208-121LPST
12.34 / .486	2	SPDT	206-122	206-122ST	206/208-122LPST
17.42 / .686	3	SPDT	206-123	206-123ST	206/208-123LPST
22.50 / .886	4	SPDT	206-124	206-124ST	206/208-124LPST
27.58 / 1.086	5	SPDT	206-125	206-125ST	206/208-125LPST
32.66 / 1.286	6	SPDT	206-126	206-126ST	206/208-126LPST
7.26 / .286	1	DPST	206-211	206-211ST	
12.34 / .486	2	DPST	206-212	206-212ST	
17.42 / .686	3	DPST	206-213	206-213ST	
22.50 / .886	4	DPST	206-214	206-214ST	
27.58 / 1.086	5	DPST	206-215	206-215ST	
32.66 / 1.286	6	DPST	206-216	206-216ST	
12.34 / .486	1	DPDT	206-221	206-221ST	
22.50 / .886	2	DPDT	206-222	206-222ST	
32.66 / 1.286	3	DPDT	206-223	206-223ST	
9.80 / .386	1	3PST	206-311	206-311ST	
17.42 / .686	2	3PST	206-312	206-312ST	
25.04 / .986	3	3PST	206-313	206-313ST	
32.66 / 1.286	4	3PST	206-314	206-314ST	
12.34 / .486	1	4PST	206-411	206-411ST	
22.50 / .886	2	4PST	206-412	206-412ST	
32.66 / 1.286	3	4PST	206-413	206-413ST	