

- **Single and Three Phase Circuits**
- **Up to 1600 Volt Blocking Standard**

Single- and three-phase diode circuits come in a panel mount package that provides 2500 Vrms isolation from the terminals to the ceramic base. Available in ratings up to 1600 Volts, all models are UL recognized (file no. E72445).

Manufactured in Crydom's ISO 9001 Certified facility for optimum product performance and reliability.

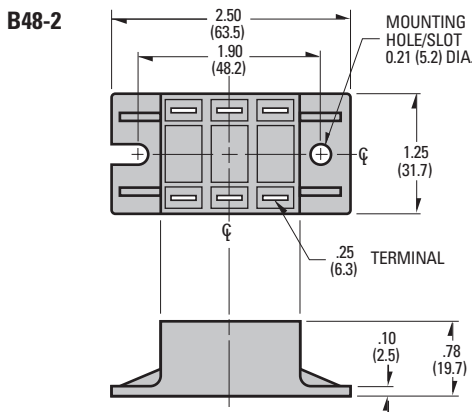
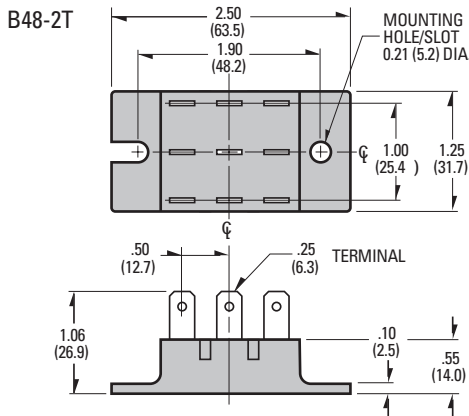
PART NUMBER IDENTIFICATION

Series Type	Circuit Type	Voltage	Case Style
B48	1 - 5 (see schematic diagrams)	B - 400 (120Vac) C - 600 (240Vac) E - 1000 (380Vac)	-2T (Standard) -2 With Isolation Barriers
		F - 1200 (480Vac) G - 1400 (530Vac) H - 1600 (600Vac)	

Example: **B483C-2T**

MECHANICAL DIMENSIONS

All dimensions are in inches (millimeters)



ELECTRICAL SPECIFICATIONS

SYMBOL	SPECIFICATION	RATINGS	
		SINGLE PHASE	THREE PHASE
I_D	Maximum DC Output Current ($T_c = 85^\circ\text{C}$)	35A	50A
V_F	Maximum Voltage Drop @ Amps Peak	1.25V @ 35A	1.35V @ 50A
T_J	Operating Junction Temperature Range	-40°C to +125°C	
V_{RRM}	Repetitive Peak Reverse Voltage (Ac Line)	400 (120 Vac)	
		600 (240 Vac)	
		1000 (380 Vac)	
		1200 (480 Vac)	
		1400 (530 Vac)	
I_{TSM}	Maximum Non-Repetitive Surge Current (1/2 Cycle, 60Hz)	600A	600A
I^2T	Maximum I^2T for Fusing ($t=8.3\text{ms}$) [$A^2\text{sec}$]	1500	1500
R_{qJC}	Maximum Thermal Resistance Junction to Ceramic Base per Chip	0.9°C/W	0.9°C/W
V_{ISOL}	Isolation Voltage	2500 V _{RMS}	2500 V _{RMS}

MECHANICAL SPECIFICATIONS

Weight: (typical)

1.5 oz. (42.5g)

© 2007 CRYDOM Inc., Specifications subject to change without notice.

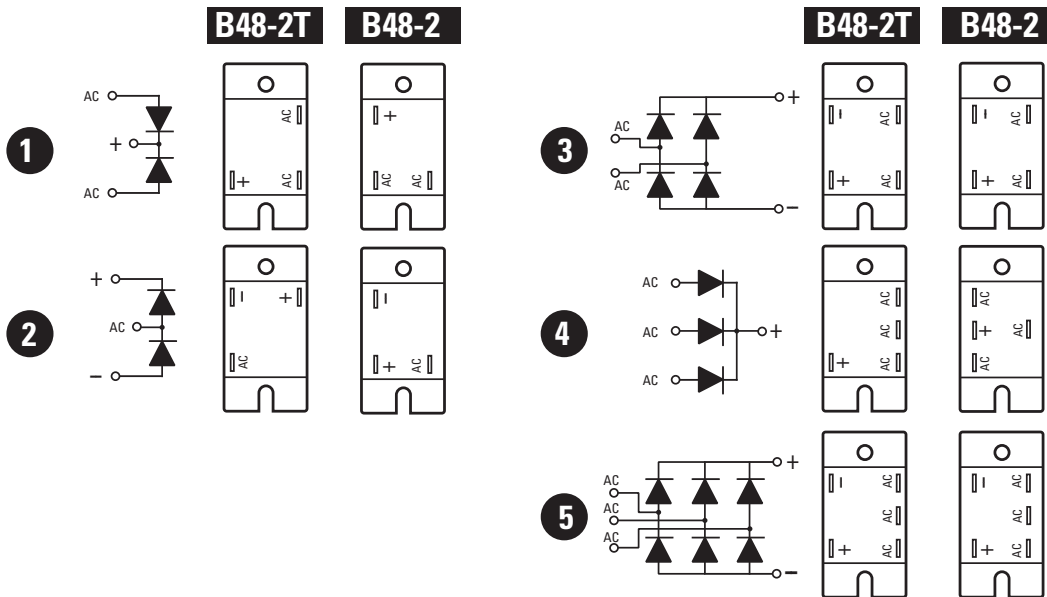
- Single and Three Phase Circuits
- Up to 1600 Volt Blocking Standard

PART NUMBER IDENTIFICATION

Series Type	Circuit Type	Voltage	Case Style
B48	1 - 5 (see schematic diagrams)	B - 400 (120Vac) C - 600 (240Vac) E - 1000 (380Vac)	-2T (Standard) -2 With Isolation Barriers

Example: B483C-2T

SERIES B48 CIRCUITS



APPROVALS

UL E72445

© 2007 CRYDOM Inc., Specifications subject to change without notice.