

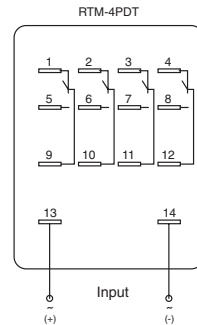
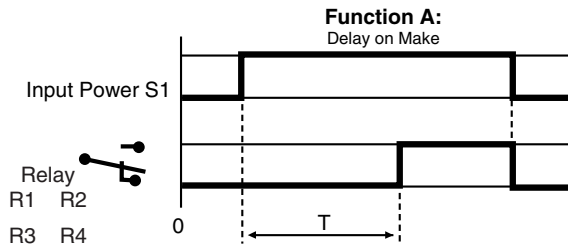
# RTM SERIES DELAY ON MAKE TIMER

UL listed CSA recognized

- **Subminiature 21 x 27mm Enclosure**
- **7 Timing Ranges (0.1 sec to 100 hrs)**
- **Low Cost**
- **4PDT Relay Output**
- **LED Power On Indicator**
- **LED Relay Indicator**



**WIRING DIAGRAM:**

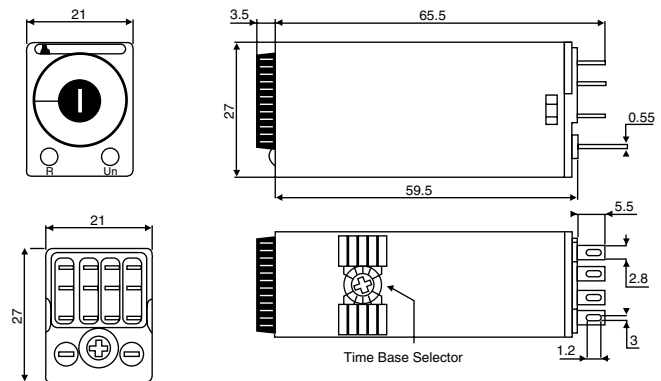


**SPECIFICATIONS:**

Input Power	230 VAC, 115 VAC, ±15%, 50/60Hz
Power consumption	3 VA at 230 VAC 3 VA at 115 VAC
Output Rating	4PDT Version
Maximum load	5 Amp
Maximum switching voltage	100 m Amp
Maximum power rating	240 VAC
Electrical life at 240 VAC	2 x 10 <sup>5</sup> operations
Mechanical life	10 <sup>7</sup> operations
Setting error	±20%
Repeat accuracy	±0.5%
Reset time	50 msec. after timing 100 msec. during timing
Dielectric strength	2KV VAC between coil and contact 1000 VAC between contacts
Noise Immunity	Consult Factory
Operating temperature	-20°C to +60°C
Weight	50 grams

**Note:** When Time Base Selector is on "Inst.," the output relays will turn on instantaneously

**DIMENSIONS: (mm)**



See "Accessories" section for PC Board and DIN-Rail sockets

**ORDERING INFORMATION:**

<u>Voltage</u>	<u>Part Number</u>
	4 PDT Version
<b>Voltage</b>	<b>4 PDT Version</b>
12 VDC	88896201
24 VDC	88896202
24 VAC	88896203
115 VAC	88896206
230 VAC	88896207

Products and specifications subject to change without notice.  
Consult factory for application assistance.