

CFC - 3 # # 3 # # ## - ## # # # - #

CRISTEK FILTERED CONNECTOR

SHELL CONFIGURATION
3 = M83723 & M26500 (SEE SHT 2 & 3)

TYPE OF FILTER
C = C
P = Pi
L = L
T = T

FILTER CHARACTERISTICS
L = LOW RANGE
M = MEDIUM RANGE
T = STANDARD RANGE
H = HIGH RANGE
V = VERY HIGH RANGE

SERIES
3 = SERIES II, M83723

SHELL STYLE
B = FLANGE MOUNTING RECEPTACLE, BAYONET COUPLING
T = FLANGE MOUNTING RECEPTACLE, THREADED COUPLING
Y = JAM NUT MOUNTING RECEPTACLE, BAYONET COUPLING
H = JAM NUT MOUNTING RECEPTACLE, THREADED COUPLING

SHELL FINISH
B = ELECTROLESS NICKEL (PREFERRED PLATING)
Y = YELLOW CHROMATE CADMIUM OVER NICKEL
O = OLIVE DRAB CADMIUM OVER NICKEL PLATE

SHELL SIZE
08 THRU 24

POLARIZATION
N - NORMAL
1
2
3
4
5
6
7
8
9
Y

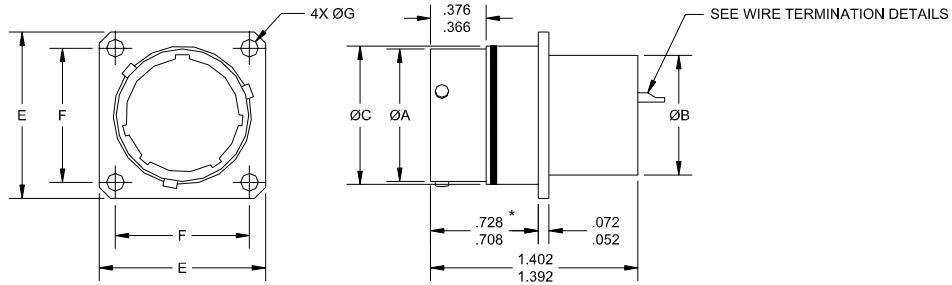
MODIFIER (FLANGE MOUNT)
0 - N/A
2 - #2-56 CLINCH NUT
4 - #4-40 CLINCH NUT

TERMINATION
P = PC TAIL
S = SOLDER CUP
W = WIRE WRAP

CONTACT TYPE
P = PIN
S = SOCKET

INSERT ARRANGEMENT NO.
- OBTAIN FROM MIL-STD-1554 PIN INSERT ARRANGEMENTS ON SHT. 4 OR 5.
(SOCKET ARRANGEMENTS ARE OPPOSITE)

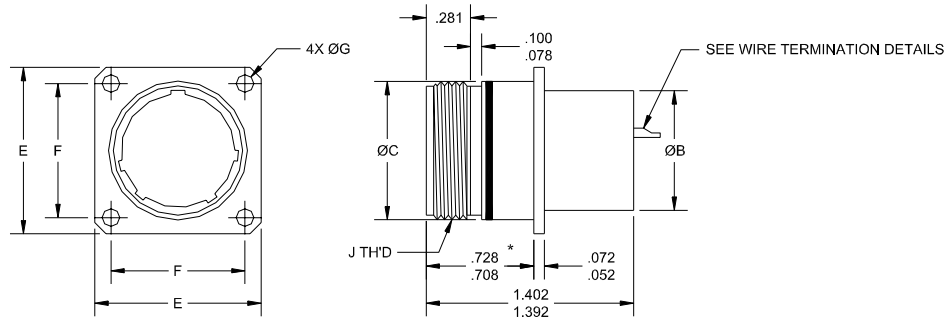
CRISTEK INTERCONNECTS, INC. www.cristek.com 1301 S. Lewis St. Anaheim, CA 92805 Phone: (714) 618-2000 FAX: (714) 535-4897	TITLE FILTERED CIRCULAR CONFORMING TO M83723, SERIES III AND M26500	DWG. NO. CFC3	
	FILENAME ADS-CFC3-1	CODE IDENT NO. 67720	SHT 1 OF 5
TOLERANCE: .XXX ± .005 .XX ± .01 ANGLE ± 1°			



SHELL SIZE	ØA +.002 -.003	ØB	ØC MAX	E	F BASIC	ØG ±.004
8	.534	.432	.561	.812	.594	.120
10	.657	.557	.696	.937	.719	.120
12	.827	.745	.875	1.031	.812	.120
14	.896	.807	.935	1.125	.906	.120
16	1.023	.932	1.062	1.250	.969	.120
18	1.129	1.057	1.187	1.343	1.062	.120
20	1.254	1.182	1.312	1.437	1.156	.120
22	1.379	1.307	1.437	1.562	1.250	.120
24	1.504	1.432	1.562	1.703	1.375	.150

* = THIS DIMENSION MAY BE INCREASED TO LIMIT DISPLACEMENT IN THE BOX.

BAYONET COUPLING FLANGE MOUNT RECEPTACLE, MS24265 (STYLE B)

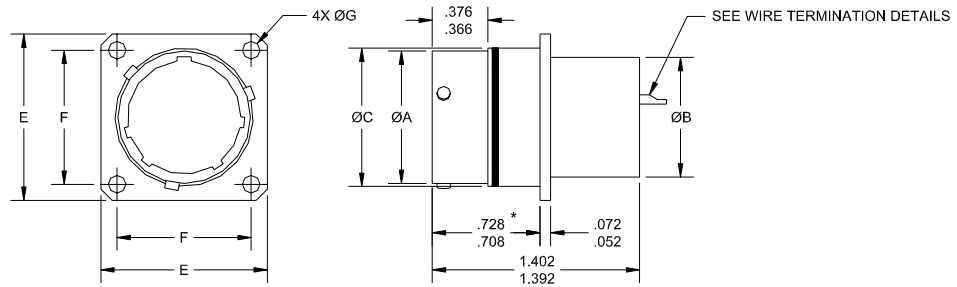


SHELL SIZE	ØB	ØC MAX	E	F BASIC	ØG ±.004	J TH'D UNEF-2A
8	.432	.561	.812	.594	.120	.562-24
10	.557	.696	.937	.719	.120	.687-24
12	.745	.875	1.031	.812	.120	.875-20
14	.807	.935	1.125	.906	.120	.937-20
16	.932	1.062	1.250	.969	.120	1.062-18
18	1.057	1.187	1.343	1.062	.120	1.187-18
20	1.182	1.312	1.437	1.156	.120	1.312-18
22	1.307	1.437	1.562	1.250	.120	1.437-18
24	1.432	1.562	1.703	1.375	.150	1.562-18

* = THIS DIMENSION MAY BE INCREASED TO LIMIT DISPLACEMENT IN THE BOX.

THREADED COUPLING FLANGE MOUNT RECEPTACLE, MS24265 (STYLE T)

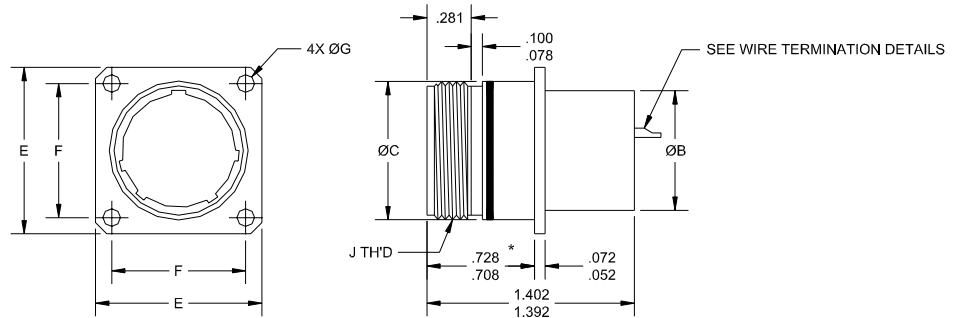
CRISTEK INTERCONNECTS, INC. www.cristek.com 1301 S. Lewis St. Anaheim, CA 92805 Phone: (714) 618-2000 FAX: (714) 535-4897	TITLE	FILTERED CIRCULAR CONFORMING TO M83723, SERIES III AND M26500			DWG. NO.	CFC3				
	FILENAME	ADS-CFC3-2			CODE IDENT NO.	67720	SHT	2 OF 5	REV	A
						TOLERANCE: .XXX ±.005 .XX ±.01 ANGLE ±1°				



SHELL SIZE	ØA +.002 -.003	ØB	ØC MAX	E	F BASIC	ØG ±.004
8	.534	.432	.561	.812	.594	.120
10	.657	.557	.696	.937	.719	.120
12	.827	.745	.875	1.031	.812	.120
14	.896	.807	.935	1.125	.906	.120
16	1.023	.932	1.062	1.250	.969	.120
18	1.129	1.057	1.187	1.343	1.062	.120
20	1.254	1.182	1.312	1.437	1.156	.120
22	1.379	1.307	1.437	1.562	1.250	.120
24	1.504	1.432	1.562	1.703	1.375	.150

* = THIS DIMENSION MAY BE INCREASED TO LIMIT DISPLACEMENT IN THE BOX.

BAYONET COUPLING FLANGE MOUNT RECEPTACLE, MS24265 (STYLE B)

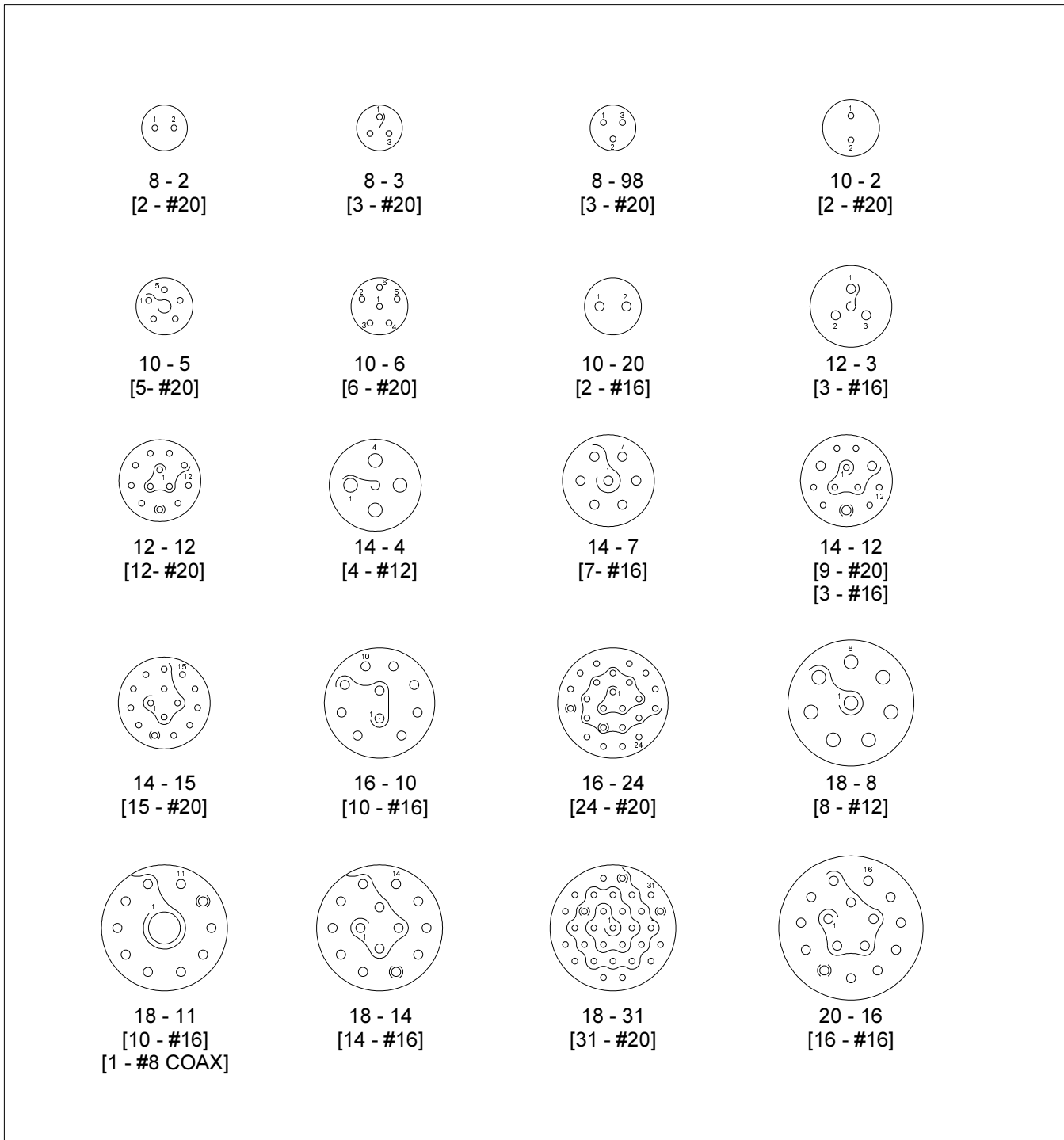


SHELL SIZE	ØB	ØC MAX	E	F BASIC	ØG ±.004	J TH'D UNEF-2A
8	.432	.561	.812	.594	.120	.562-24
10	.557	.696	.937	.719	.120	.687-24
12	.745	.875	1.031	.812	.120	.875-20
14	.807	.935	1.125	.906	.120	.937-20
16	.932	1.062	1.250	.969	.120	1.062-18
18	1.057	1.187	1.343	1.062	.120	1.187-18
20	1.182	1.312	1.437	1.156	.120	1.312-18
22	1.307	1.437	1.562	1.250	.120	1.437-18
24	1.432	1.562	1.703	1.375	.150	1.562-18

* = THIS DIMENSION MAY BE INCREASED TO LIMIT DISPLACEMENT IN THE BOX.

THREADED COUPLING FLANGE MOUNT RECEPTACLE, MS24265 (STYLE T)

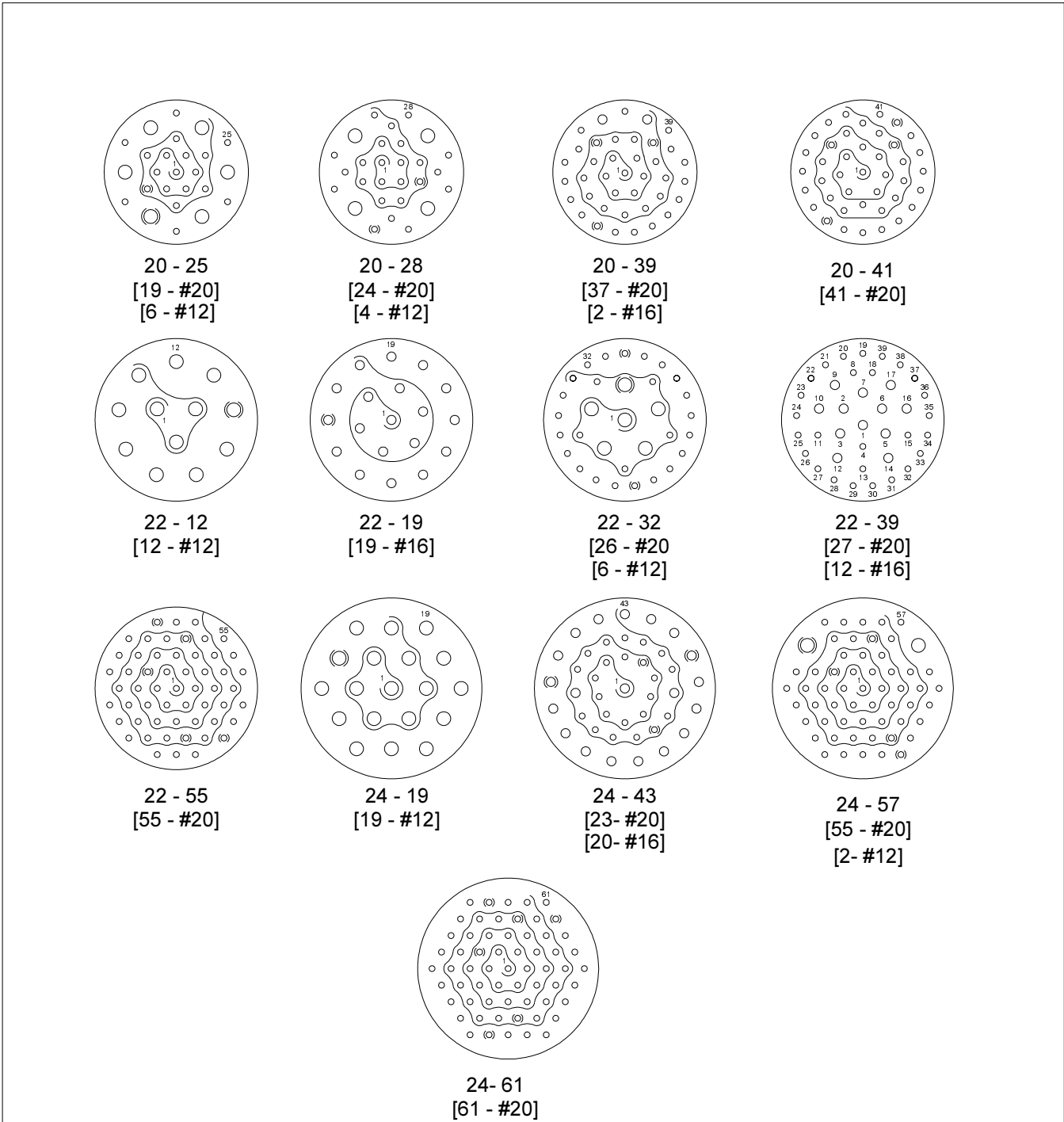
CRISTEK INTERCONNECTS, INC. www.cristek.com 1301 S. Lewis St. Anaheim, CA 92805 Phone: (714) 618-2000 FAX: (714) 535-4897	TITLE	FILTERED CIRCULAR CONFORMING TO M83723, SERIES III AND M26500			DWG. NO.	CFC3	
	FILENAME	ADS-CFC3-2			CODE IDENT NO. 67720	SHT 2 OF 5	REV A
						TOLERANCE: .XXX ±.005 .XX ±.01 ANGLE ±1°	



M83723 SERIES III AND M26500 INSERT ARRANGEMENTS FROM MIL-STD-1554

- ## = SERIES II SHELL SIZE - PIN ARRANGEMENT
 [## - ##] = QTY - SIZE OF CONTACTS

CRISTEK INTERCONNECTS, INC. www.cristek.com 1301 S. Lewis St. Anaheim, CA 92805 Phone: (714) 618-2000 FAX: (714) 535-4897	TITLE	DWG. NO.		
	FILTERED CIRCULAR CONFORMING TO M83723, SERIES III AND M26500	CFC3		REV
		CODE IDENT NO. 67720	SHT 4 OF 5	A
FILENAME	ADS-CFC3-4	TOLERANCE: .XXX ± .005 .XX ± .01 ANGLE ± 1°		



M83723 SERIES III AND M26500 INSERT ARRANGEMENTS FROM MIL-STD-1554

- ## = SERIES II SHELL SIZE - PIN ARRANGEMENT
 [## - ##] = QTY - SIZE OF CONTACTS

CRISTEK INTERCONNECTS, INC. www.cristek.com 1301 S. Lewis St. Anaheim, CA 92805 Phone: (714) 618-2000 FAX: (714) 535-4897	TITLE FILTERED CIRCULAR CONFORMING TO M83723, SERIES III AND M26500	DWG. NO. CFC3	
	FILE NAME ADS-CFC3-5	CODE IDENT NO. 67720	SHT 5 OF 5
TOLERANCE: .XXX ± .005 .XX ± .01 ANGLE ± 1°			

6.3 FILTER CONNECTORS / M83723 and M26500

This page intentionally left blank.