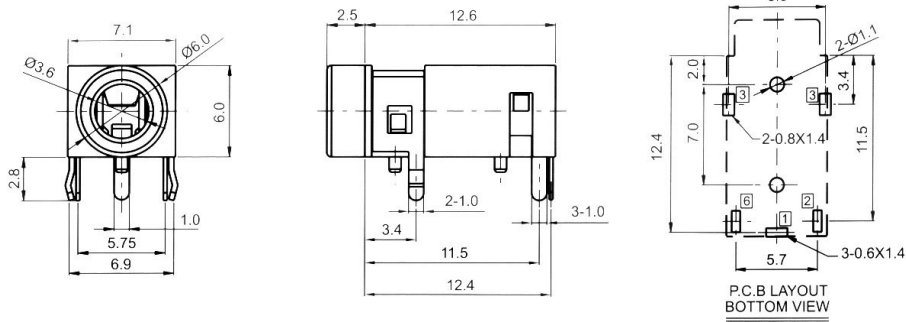


CLIFF

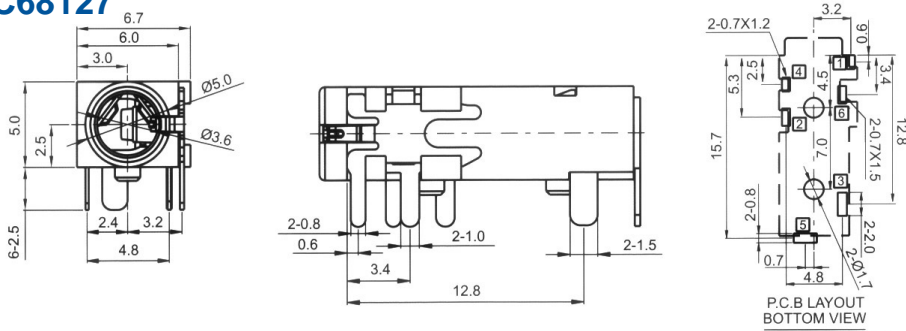
3.5mm 4 Pole Jack Sockets

FC68125



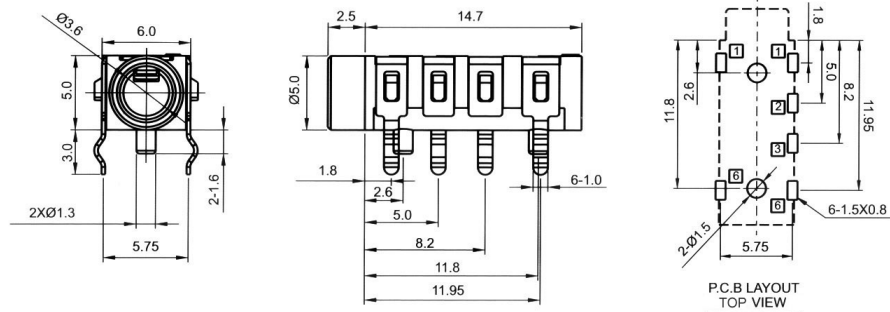
Model No.	FC68125
Schematic	

FC68126, FC68127



Model No.	Schematic
FC68126	
FC68127	

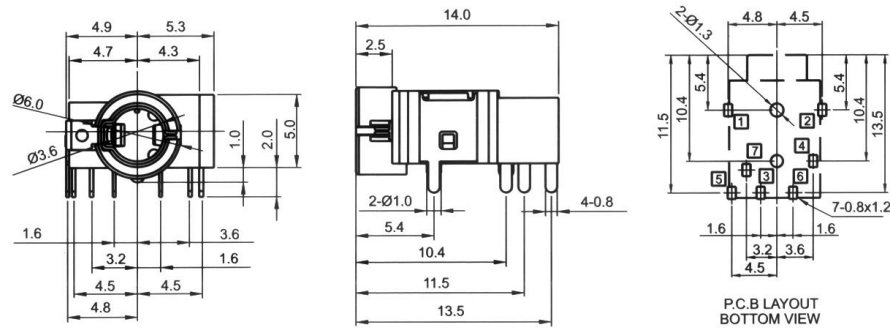
FC68128



Model No.	FC68128
Schematic	

Not compatible with plug FC68124. Suitable only for overmoulded plugs FC68122 (Ni) & FC68122G (Gold).

FC68129

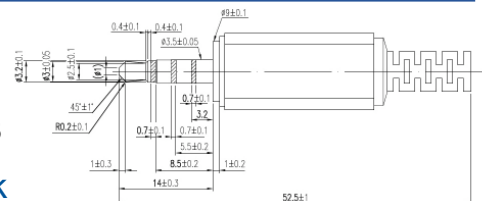


Model No.	Schematic
FC68129	



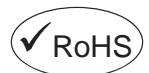
FC68124 - 3.5mm 4 pole Jack Plug, Assembly type.

Note: This plug is not to be used with FC68128



© CLIFF ISS. 3 For further information, contact: sales@cliffuk.co.uk

Cliff Electronic Components Limited,
 76 Holmethorpe Avenue, Holmethorpe Ind. Estate,
 Redhill, Surrey RH1 2PF U.K.
 Tel: +44 (0)1737 771375 Fax: +44 (0)1737 766012



Visit us online at:

www.cliffuk.co.uk